



WP14

Parts List
10-June-2019



*This parts list is current as of the above revision date.
See <http://www.rheempartslists.net/92-42803-WP14.pdf> for the current revision.*

Heat Pumps

Table of Contents

Model Explanation	Page 3
Parts Numbers	
Panels - Miscellaneous (1)	Page 4
Panels - Miscellaneous (2)	Page 5
Electrical-Fan Group	Page 6
Coil Parts (1)	Page 7
Coil Parts (2)	Page 8
Compressor Group	Page 9
Accessories	Page 10
Drawings/Photographs	
Exploded View	Page 11
Control Box Assembly	Page 12
Valve Mounting Detail	Page 13
Notes/Disclaimer	Page 14

MODEL NUMBER EXPLANATION

W	P	1	4	1	8	A	J	1	N	A
1	2	3		4		5	6	7	8	9

- | | |
|---|---|
| <p>(1) Brand
W = Weatherking</p> <p>(2) Product Category
P = Heat Pump</p> <p>(3) Seer
14 = 14 SEER</p> <p>(4) COOLING CAPACITY (BTU/HR)
018 = 18,000
024 = 24,000
030 = 30,000
036 = 36,000
042 = 42,000
048 = 48,000
060 = 60,000</p> | <p>(5) MAJOR SERIES
A = First Design Series
B = Second Design Series
F = Front Return Air Handlers</p> <p>(6) VOLTAGE
J = 208-230/1/60
C = 208-230/3/60
D = 460/3/60
Y = 575/3/60</p> <p>(7) TYPE
1 = Single Stage</p> <p>(8) CONTROLS
N = Non-Communicating</p> <p>(9) MINOR SERIES
A = First Design Series</p> |
|---|---|

SERIAL NUMBER EXPLANATION

W	0	8	1	6	9	9	9	9
(1)	(2)		(3)		(4)			

- (1) **PLANT CODE**
W = West Nuevo Laredo
- (2) **WEEK OF PRODUCTION**
- (3) **YEAR OF PRODUCTION**
- (4) **PRODUCTION NUMBER**

Note: For Compressor Identification Number, see Compressor Code on Rating Plate

No.	Notes	MODEL COOLING CAPACITY VARIATION	WP14 18 AJ1NA	WP14 24 AJ1NA	WP14 30 AJ1NA	WP14 36 AJ1NA
SHEET METAL PARTS, MISCELLANEOUS						
1		Cabinet	AE-100726-31	AE-100726-31	AE-100726-32	AE-100726-33
2		Cabinet Panel	AE-100727-31	AE-100727-31	AE-100727-32	AE-100727-33
3		Base Pan	AS-100058-01	AS-100058-01	AS-100058-02	AE-101588-03
4		Control Box - 2 inch diameter capacitor	AE-100654-31	AE-100654-31	AE-100654-31	N/A
4		Control Box - 2-1/2 inch diameter capacitor	N/A	N/A	N/A	AE-100654-32
5		Control Box Cover	AE-100657-31	AE-100657-31	AE-100657-31	AE-100657-31
6		Top Panel	AE-100652-31	AE-100652-31	AE-100652-32	AE-100652-33
8		Grille	95-102925-01	95-102925-01	95-102925-03	95-102925-04
		Nameplate	91-101419-01	91-101419-01	91-101419-01	91-101419-01
12		Valve Mounting Panel	AE-57780-01	AE-57780-01	AE-57780-01	AE-57780-01
14		Service Valve - Suction	See Coil Group			
15		Service Valve - Liquid	See Coil Group			
17		Low Voltage Cover	AE-57756-01	AE-57756-01	AE-57756-01	AE-57756-01
		Touch-up Paint - Light Gray (Aerosol)	523014	523014	523014	523014
		Touch-up Paint - Light Gray (Paint Pens)	523015	523015	523015	523015

No.	Notes	MODEL COOLING CAPACITY VARIATION	WP14 42 AJ1NA	WP14 48 AJ1NA	WP14 60 AJ1NA	
SHEET METAL PARTS, MISCELLANEOUS						
1		Cabinet	AE-100726-34	AE-100726-34	AE-100726-34	
2		Cabinet Panel	AE-100727-34	AE-100727-34	AE-100727-34	
3		Base Pan	AE-101588-03	AE-101588-03	AE-101588-03	
4		Control Box	AE-100654-34	AE-100654-34	AE-100654-34	
5		Control Box Cover	AE-100657-31	AE-100657-31	AE-100657-31	
6		Top Panel	AE-100652-33	AE-100652-33	AE-100652-33	
8		Grille	95-102925-04	95-102925-04	95-102925-04	
		Nameplate	91-101419-01	91-101419-01	91-101419-01	
12		Valve Mounting Panel	AE-100185-31	AE-100185-31	AE-100185-31	
14		Service Valve - Suction	See Coil Group			
15		Service Valve - Liquid	See Coil Group			
17		Low Voltage Cover	AE-57756-01	AE-57756-01	AE-57756-01	
		Touch-up Paint - Light Gray (Aerosol)	523014	523014	523014	
		Touch-up Paint - Light Gray (Paint Pens)	523015	523015	523015	

No.	Notes	MODEL COOLING CAPACITY VARIATION	WP14 18 BJ1NA			
SHEET METAL PARTS, MISCELLANEOUS						
1		Cabinet	AE-100726-32			
2		Cabinet Panel	AE-100727-32			
3		Base Pan	AS-100058-02			
4		Control Box	AE-100654-31			
5		Control Box Cover	AE-100657-31			
6		Top Panel	AE-100652-32			
8		Grille	95-102925-03			
		Nameplate	91-101419-01			
12		Valve Mounting Panel	AE-57780-01			
		Valve Mounting Bracket	AE-57781-01			
14		Service Valve - Suction			See Coil Group	
15		Service Valve - Liquid			See Coil Group	
17		Low Voltage Cover	AE-57756-01			
		Touch-up Paint - Private Label Gray (Aerosol)	523014			
		Touch-up Paint - Private Label Gray (Paint Pens)	523015			

No.	Notes	MODEL COOLING CAPACITY VARIATION	WP14 18 FJ1NA	WP14 24 FJ1NA	WP14 30 FJ1NA	
SHEET METAL PARTS, MISCELLANEOUS						
1		Cabinet	AE-100726-32	AE-100726-32	AE-100726-33	
2		Cabinet Panel	AE-100727-32	AE-100727-32	AE-100727-33	
3		Base Pan	AS-100058-02	AS-100058-02	AE-101588-03	
4		Control Box	AE-100654-31	AE-100654-31	AE-100654-32	
5		Control Box Cover	AE-100657-31	AE-100657-31	AE-100657-31	
6		Top Panel	AE-100652-32	AE-100652-32	AE-100652-33	
8		Grille	95-102925-03	95-102925-03	95-102925-04	
		Nameplate	91-101419-01	91-101419-01	91-101419-01	
12		Valve Mounting Panel	AE-57780-01	AE-57780-01	AE-57780-01	
		Valve Mounting Bracket	AE-57781-01	AE-57781-01	AE-57781-01	
14		Service Valve - Suction			See Coil Group	
15		Service Valve - Liquid			See Coil Group	
17		Low Voltage Cover	AE-57756-01	AE-57756-01	AE-57756-01	
		Touch-up Paint - Private Label Gray (Aerosol)	523014	523014	523014	
		Touch-up Paint - Private Label Gray (Paint Pens)	523015	523015	523015	

No.	Notes	MODEL COOLING CAPACITY VARIATION	WP14 18 AJ1NA	WP14 24 AJ1NA	WP14 30 AJ1NA	WP14 36 AJ1NA
ELECTRICAL/FAN GROUP						
7	Stk	Fan Motor	51-104691-01	51-104691-01	51-104692-03	51-102008-07
9	Stk	Fan Blade	70-102011-22	70-102011-22	70-102011-23	70-102011-10
16	Stk	Contactora	42-102664-05	42-102664-05	42-102664-05	42-102664-05
17		Low Voltage Cover	See Panels - Miscellaneous			
18		Control Box Bottom	AE-100655-01	AE-100655-01	AE-100655-01	AE-100655-01
19		Capacitor - Compressor/Fan	See Compressor Group			
20	Stk	Defrost Control Board	47-102685-07	47-102685-07	47-102685-07	47-102685-07
21		Low Ambient Control	See Accessories Group			

No.	Notes	MODEL COOLING CAPACITY VARIATION	WP14 42 AJ1NA	WP14 48 AJ1NA	WP14 60 AJ1NA	
ELECTRICAL/FAN GROUP						
7	Stk	Fan Motor	51-101774-03	51-101774-03	51-102008-09	
9	Stk	Fan Blade	70-102011-10	70-102033-04	70-104092-01	
16	Stk	Contactora	42-102664-05	42-102664-06	42-102664-10	
17		Low Voltage Cover	See Panels - Miscellaneous			
18		Control Box Bottom	AE-100655-01	AE-100655-01	AE-100655-01	
19		Capacitor - Compressor/Fan	See Compressor Group			
20	Stk	Defrost Control Board	47-102685-07	47-102685-07	47-102685-07	
21		Low Ambient Control	See Accessories Group			

No.	Notes	MODEL COOLING CAPACITY VARIATION	WP14 18 BJ1NA			
ELECTRICAL/FAN GROUP						
7	Stk	Fan Motor	51-102008-02			
9	Stk	Fan Blade	70-102033-02			
16	Stk	Contactora	42-102664-05			
17		Low Voltage Cover	See Panels - Miscellaneous			
18		Control Box Bottom	AE-100655-01			
19		Capacitor - Compressor/Fan	See Compressor Group			
20	Stk	Defrost Control Board	47-102685-07			
21		Low Ambient Control	See Accessories Group			

No.	Notes	MODEL COOLING CAPACITY VARIATION	WP14 18 FJ1NA	WP14 24 FJ1NA	WP14 30 FJ1NA	
ELECTRICAL/FAN GROUP						
7	Stk	Fan Motor	51-102008-02	51-102008-02	51-101774-03	
9	Stk	Fan Blade	70-102033-02	70-102033-02	70-102011-10	
16	Stk	Contactora	42-102664-05	42-102664-05	42-102664-05	
17		Low Voltage Cover	See Panels - Miscellaneous			
18		Control Box Bottom	AE-100655-01	AE-100655-01	AE-100655-01	
19		Capacitor - Compressor/Fan	See Compressor Group			
20	Stk	Defrost Control Board	47-102685-07	47-102685-07	47-102685-07	
21		Low Ambient Control	See Accessories Group			

No.	Notes	MODEL COOLING CAPACITY VARIATION	WP14 18 AJ1NA	WP14 24 AJ1NA	WP14 30 AJ1NA	WP14 36 AJ1NA
COIL GROUP						
11	Stk	Condenser Coil	AS-101766-03	AS-101766-03	AS-102391-03	AS-101768-03
13		Valve Mounting Bracket	AE-57781-01	AE-57781-01	AE-57781-01	AE-57781-02
14		Service Valve - Suction	61-21368-23	61-21368-23	61-21368-07	61-21368-22
15		Service Valve - Liquid	61-21368-25	61-21368-25	61-21368-25	61-21368-25
22		Bulkhead Valve	61-22369-04	61-22369-04	61-22369-04	61-22369-04
		Locknut - Bulkhead Valve	63-22368-01	63-22368-01	63-22368-01	63-22368-01
	Stk	Low Pressure Control	47-103670-05	47-103670-05	47-103670-05	47-103670-05
	Stk	High Pressure Control	47-102290-01	47-102290-01	47-102290-01	47-102290-01
	Stk	Filter Drier	83-41719-02	83-41719-02	83-41719-02	83-41719-02
	Stk	TXV/Distributor Assembly	61-102437-28	61-102437-29	61-102437-30	61-102437-30
	Stk	Reversing Valve	61-102498-04	61-102498-04	61-102498-09	61-102498-09
	Stk	Solenoid Coil - Reversing Valve	61-101713-92	61-101713-92	61-101713-92	61-101713-92
		Wiring Harness - Reversing Valve (Before W0117)	61-26149-03	61-26149-03	61-26149-03	61-26149-03
		Wiring Harness - Reversing Valve (On or After W0117)	61-26149-05	61-26149-05	61-26149-05	61-26149-05
		Tube Assembly - Bulkhead Valve	N/A	N/A	AS-105377-04	AS-105377-01

No.	Notes	MODEL COOLING CAPACITY VARIATION	WP14 42 AJ1NA	WP14 48 AJ1NA	WP14 60 AJ1NA	
COIL GROUP						
11	Stk	Condenser Coil	AS-101760-03	AS-102099-03	AS-101771-01	
13		Valve Mounting Bracket	AE-57781-02	AE-57781-02	AE-57781-02	
14		Service Valve - Suction	61-21368-22	61-104025-08	61-104025-08	
15		Service Valve - Liquid	61-21368-25	61-21368-25	61-21368-25	
22		Bulkhead Valve	61-22369-04	61-22369-04	61-22369-04	
		Locknut - Bulkhead Valve	63-22368-01	63-22368-01	63-22368-01	
	Stk	Low Pressure Control	47-103670-05	47-103670-05	47-103670-05	
	Stk	High Pressure Control	47-102290-01	N/A	N/A	
	Stk	Filter Drier	83-41719-02	83-41719-02	83-41719-02	
	Stk	TXV/Distributor Assembly	61-102437-31	61-102437-32	61-102437-33	
	Stk	Reversing Valve	61-102498-09	61-102498-06	61-102498-06	
	Stk	Solenoid Coil - Reversing Valve (After Date Code 2808)	61-101713-92	61-101713-92	61-101713-92	
		Wiring Harness - Reversing Valve (Before W0117)	61-26149-03	61-26149-03	61-26149-03	
		Wiring Harness - Reversing Valve (On or After W0117)	61-26149-05	61-26149-05	61-26149-05	
		Tube Assembly - Bulkhead Valve	AS-105377-02	N/A	N/A	

No.	Notes	MODEL COOLING CAPACITY VARIATION	WP14 18 BJ1NA			
COIL GROUP						
11	Stk	Condenser Coil	AS-103032-03			
13		Valve Mounting Bracket	AE-57781-01			
14		Service Valve - Suction	61-21368-23			
15		Service Valve - Liquid	61-21368-25			
22		Bulkhead Valve	61-22369-04			
		Locknut - Bulkhead Valve	63-22368-01			
	Stk	Low Pressure Control	47-103670-05			
	Stk	High Pressure Control	N/A			
	Stk	Filter Drier	83-41719-02			
	Stk	TXV/Distributor Assembly	61-107128-01			
	Stk	Reversing Valve	61-102498-04			
	Stk	Solenoid Coil - Reversing Valve	61-101713-92			
		Wiring Harness - Reversing Valve	61-26149-03			

No.	Notes	MODEL COOLING CAPACITY VARIATION	WP14 18 FJ1NA	WP14 24 FJ1NA	WP14 30 FJ1NA	
COIL GROUP						
11	Stk	Condenser Coil	AS-103032-03	AS-103032-03	AS-101768-03	
13		Valve Mounting Bracket	AE-57781-01	AE-57781-01	AE-57781-01	
14		Service Valve - Suction	61-21368-23	61-21368-23	61-21368-07	
15		Service Valve - Liquid	61-21368-25	61-21368-25	61-21368-25	
22		Bulkhead Valve	61-22369-04	61-22369-04	61-22369-04	
		Locknut - Bulkhead Valve	63-22368-01	63-22368-01	63-22368-01	
	Stk	Low Pressure Control	47-103670-05	47-103670-05	47-103670-05	
	Stk	High Pressure Control	N/A	N/A	N/A	
	Stk	Filter Drier	83-41719-02	83-41719-02	83-41719-02	
	Stk	TXV/Distributor Assembly	61-107128-15	61-102437-20	61-102437-21	
	Stk	Reversing Valve	61-102498-04	61-102498-04	61-102498-09	
	Stk	Solenoid Coil - Reversing Valve	61-101713-92	61-101713-92	61-101713-92	
		Wiring Harness - Reversing Valve	61-26149-03	61-26149-03	61-26149-03	

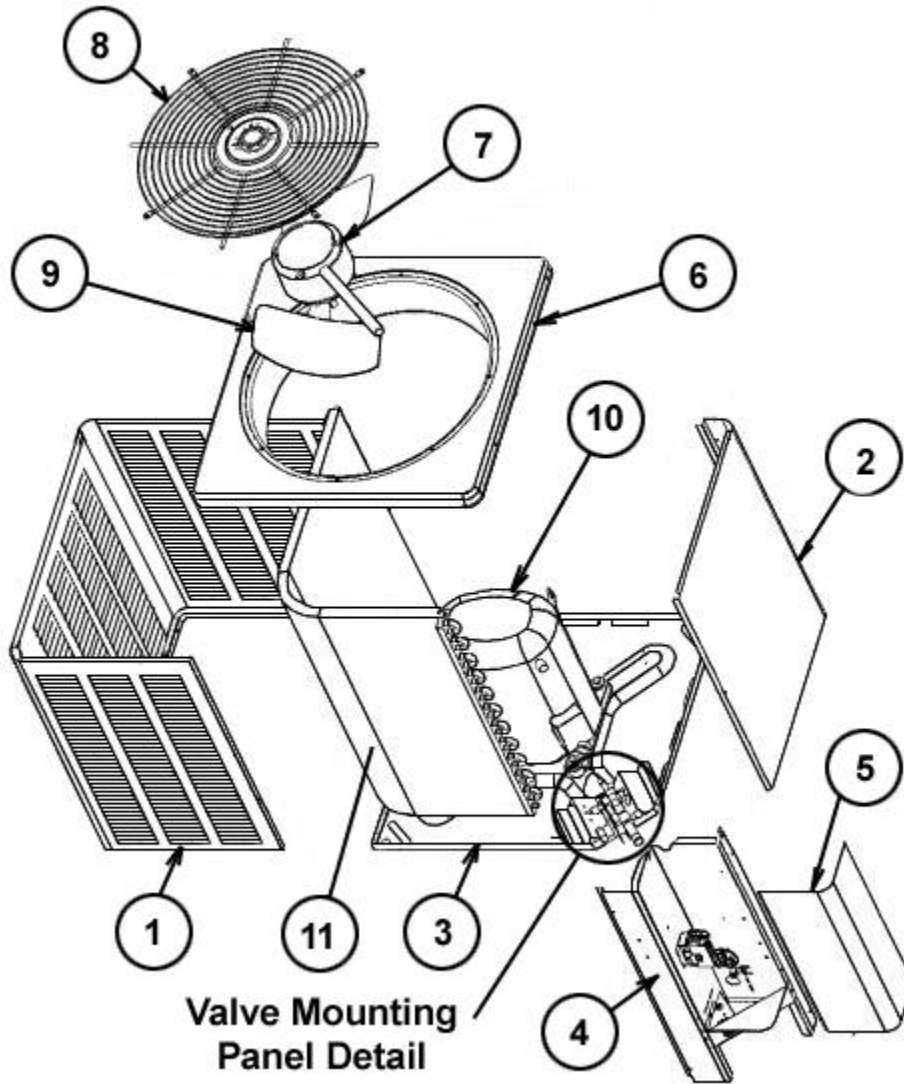
No.	Notes	MODEL COOLING CAPACITY VARIATION	WP14 18 AJ1NA	WP14 24 AJ1NA	WP14 30 AJ1NA	WP14 36 AJ1NA
COMPRESSOR GROUP						
		Compressor ID:	9167	9168	9169	9170
10	Stk	Compressor	55-102045-14S	55-102045-01S	55-102045-02S	55-102045-03S
19	Stk	Capacitor - Compressor/Fan	43-101665-03	43-101665-07	43-101665-09	43-101665-48
		Muffler	83-26251-01	83-26251-01	83-26251-01	83-26251-01
	Stk	Compressor Wiring Harness (Molded Plug)	45-100834-80	45-100834-80	45-100834-80	45-100834-80

No.	Notes	MODEL COOLING CAPACITY VARIATION	WP14 42 AJ1NA	WP14 48 AJ1NA	WP14 60 AJ1NA	
COMPRESSOR GROUP						
		Compressor ID:	9171	9213	9214	
10	Stk	Compressor	55-102045-12S	55-102045-09S	55-102045-26S	
19	Stk	Capacitor - Compressor/Fan	43-101665-42	43-101665-47	43-101665-53	
		Muffler	83-26251-01	83-26251-01	83-26251-01	
	Stk	Compressor Wiring Harness (Molded Plug)	45-100834-80	45-100834-80	45-100834-80	

No.	Notes	MODEL COOLING CAPACITY VARIATION	WP14 18 BJ1NA			
COMPRESSOR GROUP						
		Compressor ID:	9565			
10	Stk	Compressor	55-102045-14			
19	Stk	Capacitor - Compressor/Fan	43-101665-40			
		Muffler	83-26251-01			
	Stk	Compressor Wiring Harness (Molded Plug)	45-100834-04			

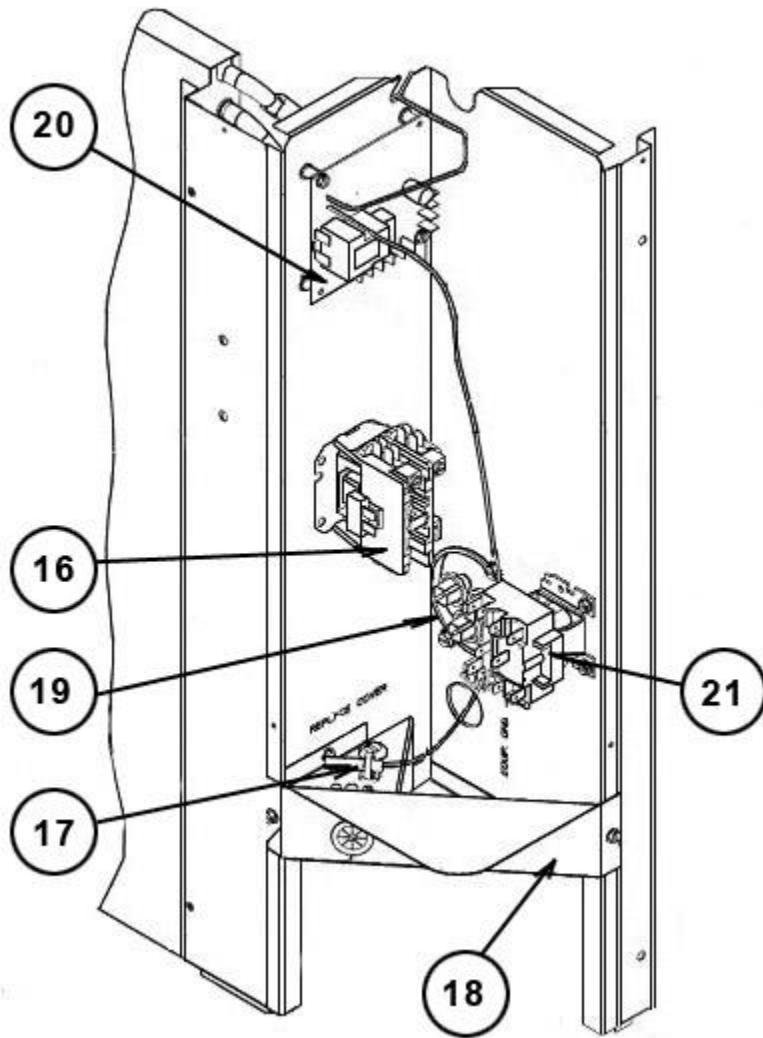
No.	Notes	MODEL COOLING CAPACITY VARIATION	WP14 18 FJ1NA	WP14 24 FJ1NA	WP14 30 FJ1NA	
COMPRESSOR GROUP						
		Compressor ID:	9566	9551	9552	
10	Stk	Compressor	55-102045-14	55-102045-24S	55-102045-31S	
19	Stk	Capacitor - Compressor/Fan	43-101665-40	43-101665-09	43-101665-46	
		Muffler	83-26251-01	83-26251-01	83-26251-01	
	Stk	Compressor Wiring Harness (Molded Plug)	45-100834-04	45-100834-04	45-100834-04	

No.	Notes	MODEL COOLING CAPACITY VARIATION	WP14 ALL ALL
ACCESSORIES			
		Low Ambient Control	RXAD-A08
		Outdoor Thermostat (One Thermostat w/box)	RXPT-A01
		Outdoor Thermostat (One Thermostat w/o box)	RXPT-A02
		Outdoor Thermostat (One w/Heat Relay and box)	RXPT-A03
		Outdoor Thermostat (Two Thermostats w/Heat and box)	RXPT-A04
		Heat Pump Monitor	RXPM-B01
		Compressor Time Delay Control	RXMD-B01
		Blower Time Delay Control	RXMD-C04
		High Pressure Control	RXAB-A07

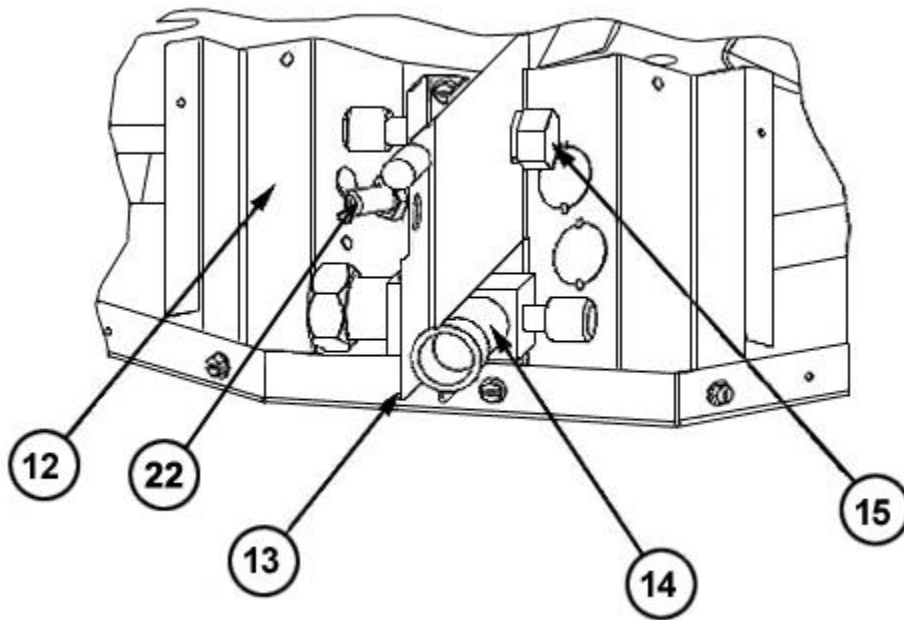


**Valve Mounting
Panel Detail**

Exploded View



Control Box Assembly



Valve Mounting Detail

NOTES

Stk It is recommended that stock be maintained for this part.
N/A Not Applicable

DISCLAIMER: This document is intended to provide general replacement parts information to aid qualified service personnel in the repair of these models. The complete Model and Serial Number of the unit under repair should be specified when selecting and ordering replacement parts. Specifications and illustrations are subject to change without notice. Document 92-42803-WP14 supersedes all previous parts lists for these models. See <http://www.rheempartslists.net/92-42803-WP14> for the latest revision of this document. The manufacturer assumes no obligation for errors or omissions. Service personnel must verify the proper and safe operation of equipment after the replacement of any original components.