



## 14 SEER HEAT PUMPS

### Features

- Coils constructed with copper tubing and enhanced aluminum fins.
- Includes factory installed low pressure control.
- Strong, attractive cabinet—louvered design protects the coil from damage.
- Expansion Valves with Internal Check Valve—Provides for quieter refrigerant metering.
- Demand Defrost Control
- Non-Cycling Reversing Valve
- Hot Gas Muffler
- Service Valves
- Grille/motor mount for quiet fan operation.
- Easily accessible control box.
- Bi-Directional Filter Drier (shipped – not installed)
- Certified and rated under AHRI Standard 240.
- U.L listed.

### Applications

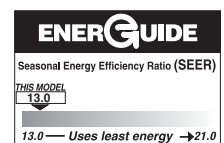
WeatherKing remote heat pumps offer comfort and dependability for single, multi-family and light commercial applications.



### WP14\*\*A SERIES

Nominal Sizes 1.5 to 5 Tons [5.28 to 17.6 kW]

Efficiency 14 SEER/11.5 EER/8.5 HSPF



## TABLE OF CONTENTS

Model Number Identification .....	3
Electrical & Physical Data .....	4
Unit Dimensions.....	5
Refrigerant Line Size Information .....	10
Performance Data .....	11
Limited Warranty .....	12

## Heat Pumps (For Reference)\*\*

<u>W</u>	<u>P</u>	<u>14</u>	<u>24</u>	<u>A</u>	<u>J</u>	<u>1</u>	<u>N</u>	<u>A</u>	<u>*</u>
Brand	Product Category	SEER	Capacity BTU/HR	Major Series*	Voltage	Type	Controls	Minor Series**	Option Code
WeatherKing	P - Heat Pump	14 - 14 SEER	18 - 18,000 [5.28 kW] 24 - 24,000 [7.03 kW] 30 - 30,000 [8.79 kW] 36 - 36,000 [10.55 kW] 42 - 42,000 [12.31 kW] 48 - 48,000 [14.07 kW] 60 - 60,000 [17.58 kW]	A - 1st Design	J - 1ph, 208-230/60	1 - Single-stage	N - Non-Communicating	A - 1st Design	N/A

## Air Conditioners\*

<u>W</u>	<u>A</u>	<u>13</u>	<u>24</u>	<u>A</u>	<u>J</u>	<u>1</u>	<u>N</u>	<u>A</u>	<u>*</u>
Brand	Product Category	SEER	Capacity BTU/HR	Major Series*	Voltage	Type	Controls	Minor Series**	Option Code
WeatherKing	A - Air Conditioners	13 - 13 SEER 14 - 14 SEER	18 - 18,000 [5.28 kW] 24 - 24,000 [7.03 kW] 30 - 30,000 [8.79 kW] 36 - 36,000 [10.55 kW] 42 - 42,000 [12.31 kW] 48 - 48,000 [14.07 kW] 60 - 60,000 [17.58 kW]	A - 1st Design	J - 1ph, 208-230/60 C - 3ph, 208-230/60 D - 3ph, 460/60	1 - Single-stage	N - Non-Communicating	A - 1st Design	N/A

## Air Handlers (For Reference)\*\*

<u>W</u>	<u>H</u>	<u>1</u>	<u>T</u>	<u>17</u>	<u>S</u>	<u>T</u>	<u>A</u>	<u>N</u>	<u>A</u>	<u>000</u>	<u>*</u>	
Brand	Product Category	Stages of Airflow	Motor Type	Width	Coil Size	Metering Device	Major Series*	Controls	Voltage	Minor Series**	Factory Heat Cap	Option Code
WeatherKing	H - Air Handler	1 - Single-Stage	T - Constant Torque P - PSC	14 - 14" 17 - 17.5" 21 - 21" 24 - 24.5"	S - Standard Eff. M - Mid Eff. H - High Eff.	T - TEV	A - 1st Design	C - Communicating N - Non-comm	A - 1ph, 115/60 J - 1ph, 208-240/60 D - 3ph, 480/60	A - 1st Design	00 - no factory heat with option code	*TBD

[ ] Designates Metric Conversions

## Electrical and Physical Data

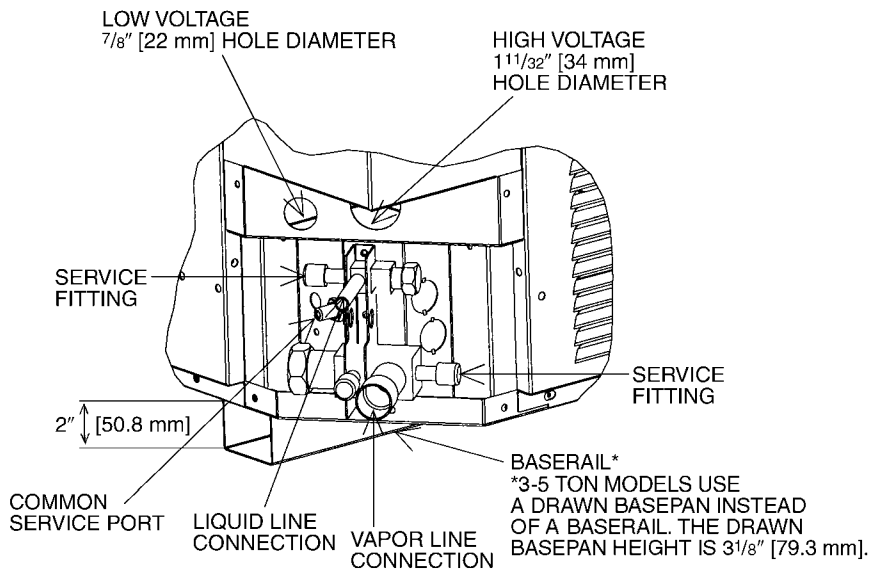
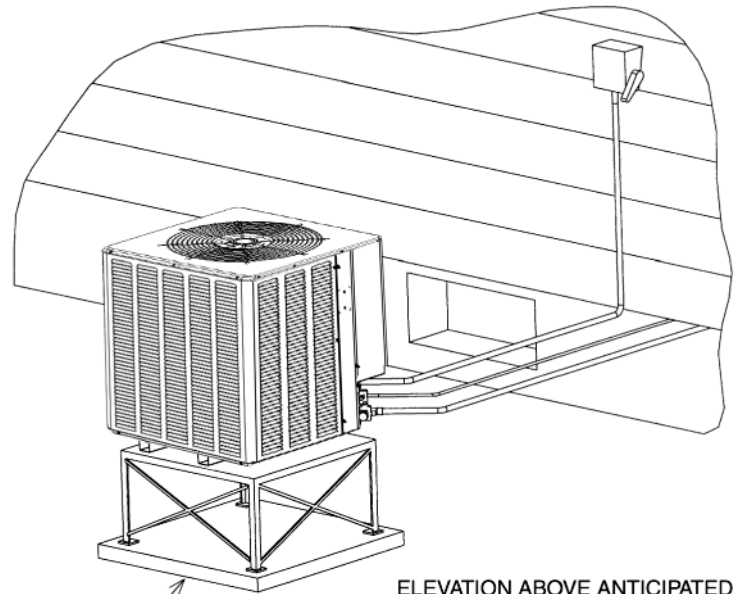
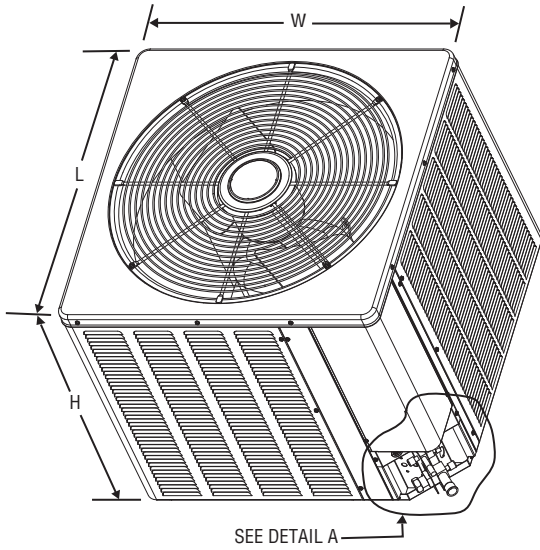
Model Number WP 14**A	ELECTRICAL							PHYSICAL						
	Phase Frequency (Hz) Voltage (Volts)	Compressor		Fan Motor Full Load Amperes (FLA)	Minimum Circuit Capacity Amperes	Fuse or HACR Circuit Breaker		Outdoor Coil			Refrig. Per Circuit Oz. [g]	Weight		
		Rated Load Amperes (RLA)	Locked Rotor Amperes (LRA)			Minimum Amperes	Maximum Amperes	Face Area Sq. Ft. [m <sup>2</sup> ]	No. Rows	CFM [L/s]		Net Lbs. [kg]	Shipping Lbs. [kg]	
Rev. 11/29/2016														
18	1-60-208-230	9/9	48	0.5	12/12	15/15	20/20	11.06 [1.03]	1	1572 [742]	79 [2240]	145 [65.8]	152 [68.9]	
24	1-60-208-230	12.8/12.8	58.3	0.5	17/17	20/20	25/25	11.06 [1.03]	1	2370 [1118]	79 [2240]	145 [65.8]	152 [68.9]	
30	1-60-208-230	14.1/14.1	73	0.8	19/19	25/25	30/30	13.72 [1.27]	1	2800 [1321]	97 [2750]	201 [91.2]	208 [94.3]	
36	1-60-208-230	16.7/16.7	79	1.2	23/23	30/30	35/35	16.39 [1.52]	1	3575 [1687]	101 [2863]	207 [93.9]	214 [97.1]	
42	1-60-208-230	17.9/17.9	112	1.2	24/24	30/30	40/40	21.85 [2.03]	1	3575 [1687]	140 [3969]	220 [99.8]	227 [103.0]	
48	1-60-208-230	21.8/21.8	117	1.0	29/29	35/35	50/50	21.85 [2.03]	1	3575 [1687]	146 [4139]	223.5 [101.4]	230.5 [104.6]	
60	1-60-208-230	26.4/26.4	134	1.7	35/35	45/45	60/60	21.85 [2.03]	2	3360 [1586]	268 [7598]	266.5 [120.9]	273.5 [124.1]	

**NOTES:**

- ① 20 Fins per inch.
- ② Factory charged for 15 ft. line set.

[ ] Designates Metric Conversions

# Unit Dimensions



**DETAIL A**

MODEL NUMBER	OPERATING						SHIPPING					
	H (Height)		L (Length)		W (Width)		H (Height)		L (Length)		W (Width)	
	INCHES	mm	INCHES	mm	INCHES	mm	INCHES	mm	INCHES	mm	INCHES	mm
WP1418B	25	635	29.75	755	29.75	755	27.90	708	33.25	844	33	838
WP1424A	25	635	29.75	755	29.75	755	27.90	708	33.25	844	33	838
WP1430A	25	635	29.75	755	29.75	755	27.90	708	33.25	844	33	838
WP1436A	27	685	33.75	857	33.75	857	30.08	764	37.64	956	37.56	954
WP1442A	27	685	33.75	857	33.75	857	30.08	764	37.64	956	37.56	954
WP1448A	35	889	33.75	857	33.75	857	38.35	974	37.64	956	37.56	954
WP1460A	39	990	35.75	908	35.75	908	42	1066	39.37	999	39.64	1006





# Heat Pump Refrigerant Line Size Information

R-410A System Capacity Model	Vapor Line Connection Size (Inch I.D.) [mm]	Vapor Line Size (Inch O.D.) [mm]	Vapor Line Size Capacity Multiplier Table																
			Total Equivalent Length - Feet [m]																
			25 [7.62]	50 [15.24]	75 [22.86]	100 [30.48]	125 [45.72]	150 [45.72]	175 [53.34]	200 [60.96]	225 [68.58]	250 [76.20]	275 [83.82]	300 [91.44]					
1.5 Ton	3/4" [19.06]	5/8 [15.88]	0.99	0.99	0.99	0.98	0.98	0.97	0.97	0.97	0.97	0.97	0.97	0.97	0.97	0.97	0.96	0.96	
		3/4 [19.05]	1.00	0.99	1.00	0.99	1.00	0.99	0.99	0.99	0.99	0.99	0.99	0.99	0.99	0.99	0.99	0.99	
		7/8 [22.23]	N/R	N/R	N/R	N/R	N/R	N/R	N/R	N/R	N/R	N/R	N/R	N/R	N/R	N/R	N/R	N/R	N/R
		1 [25.40]	N/R	N/R	N/R	N/R	N/R	N/R	N/R	N/R	N/R	N/R	N/R	N/R	N/R	N/R	N/R	N/R	N/R
		1-1/8 [28.58]	N/R	N/R	N/R	N/R	N/R	N/R	N/R	N/R	N/R	N/R	N/R	N/R	N/R	N/R	N/R	N/R	N/R
2 Ton	3/4" [19.06]	5/8 [15.88]	1.00	0.99	0.99	0.98	0.98	0.97	0.96	0.96	0.95	0.95	0.95	0.95	0.95	0.94	0.93	0.93	
		3/4 [19.05]	1.00	1.00	0.99	0.99	0.99	0.99	0.99	0.99	0.99	0.99	0.99	0.99	0.99	0.98	0.98	0.98	
		7/8 [22.23]	1.00	1.00	1.00	1.00	1.00	1.00	1.00	1.00	1.00	1.00	1.00	1.00	1.00	1.00	1.00	1.00	
		1 [25.40]	N/R	N/R	N/R	N/R	N/R	N/R	N/R	N/R	N/R	N/R	N/R	N/R	N/R	N/R	N/R	N/R	N/R
		1-1/8 [28.58]	N/R	N/R	N/R	N/R	N/R	N/R	N/R	N/R	N/R	N/R	N/R	N/R	N/R	N/R	N/R	N/R	N/R
2.5 Ton	3/4" [19.06]	5/8 [15.88]	1.00	0.98	0.99	0.97	0.97	0.96	0.96	0.96	0.95	0.93	0.93	0.93	0.93	0.93	N/R	N/R	
		3/4 [19.05]	1.00	1.00	1.00	1.00	1.00	0.99	0.99	0.99	0.98	0.99	0.99	0.99	0.99	N/R	N/R	N/R	
		7/8 [22.23]	1.00	1.01	1.00	1.01	1.00	1.01	1.00	1.01	1.00	1.00	1.01	1.01	1.01	N/R	N/R	N/R	
		1 [25.40]	1.01	1.02	1.00	1.01	1.01	1.01	1.01	1.01	1.01	1.01	1.02	1.02	1.02	N/R	N/R	N/R	
		1-1/8 [28.58]	N/R	N/R	N/R	N/R	N/R	N/R	N/R	N/R	N/R	N/R	N/R	N/R	N/R	N/R	N/R	N/R	N/R
3 Ton	3/4" [19.06]	5/8 [15.88]	0.99	0.97	0.96	0.94	0.94	0.93	0.93	0.92	N/R	N/R	N/R	N/R	N/R	N/R	N/R	N/R	
		3/4 [19.05]	1.00	0.99	0.98	0.99	0.99	0.98	0.98	0.96	N/R	N/R	N/R	N/R	N/R	N/R	N/R	N/R	
		7/8 [22.23]	1.00	1.00	1.00	0.99	0.99	0.99	0.99	0.99	0.99	N/R	N/R	N/R	N/R	N/R	N/R	N/R	
		1 [25.40]	1.00	1.00	1.00	1.00	1.00	1.00	1.00	1.00	1.00	N/R	N/R	N/R	N/R	N/R	N/R	N/R	
		1-1/8 [28.58]	N/R	N/R	N/R	N/R	N/R	N/R	N/R	N/R	N/R	N/R	N/R	N/R	N/R	N/R	N/R	N/R	N/R
3.5 Ton	3/4" [19.06]	5/8 [15.88]	0.98	0.97	0.95	0.93	0.93	0.93	0.93	N/R	N/R	N/R	N/R	N/R	N/R	N/R	N/R	N/R	
		3/4 [19.05]	1.00	0.99	0.99	0.98	0.98	0.98	0.98	0.98	N/R	N/R	N/R	N/R	N/R	N/R	N/R	N/R	
		7/8 [22.23]	1.00	1.00	1.00	0.99	0.99	0.99	0.99	0.99	N/R	N/R	N/R	N/R	N/R	N/R	N/R	N/R	
		1 [25.40]	1.01	1.00	1.00	1.00	1.00	1.00	1.00	1.00	N/R	N/R	N/R	N/R	N/R	N/R	N/R	N/R	
		1-1/8 [28.58]	1.01	1.00	1.00	1.00	1.00	1.00	1.00	1.00	N/R	N/R	N/R	N/R	N/R	N/R	N/R	N/R	N/R
4 Ton	3/4" [19.06]	5/8 [15.88]	0.98	0.95	0.98	0.98	0.98	0.98	0.98	N/R	N/R	N/R	N/R	N/R	N/R	N/R	N/R	N/R	
		3/4 [19.05]	1.00	0.98	0.99	0.98	0.98	0.98	0.98	0.98	N/R	N/R	N/R	N/R	N/R	N/R	N/R	N/R	
		7/8 [22.23]	1.00	0.99	0.99	0.98	0.98	0.98	0.98	0.98	N/R	N/R	N/R	N/R	N/R	N/R	N/R	N/R	
		1 [25.40]	1.00	1.00	1.00	1.00	1.00	1.00	1.00	1.00	N/R	N/R	N/R	N/R	N/R	N/R	N/R	N/R	
		1-1/8 [28.58]	1.00	1.00	1.00	1.00	1.00	1.00	1.00	1.00	N/R	N/R	N/R	N/R	N/R	N/R	N/R	N/R	N/R
5 Ton	3/4" [19.06]	5/8 [15.88]	0.97	0.94	0.98	0.98	0.98	0.98	0.98	N/R	N/R	N/R	N/R	N/R	N/R	N/R	N/R	N/R	
		3/4 [19.05]	0.99	0.98	0.99	0.98	0.98	0.98	0.98	0.98	N/R	N/R	N/R	N/R	N/R	N/R	N/R	N/R	
		7/8 [22.23]	1.00	0.99	0.99	0.98	0.98	0.98	0.98	0.98	N/R	N/R	N/R	N/R	N/R	N/R	N/R	N/R	
		1 [25.40]	1.00	1.00	1.00	1.00	1.00	1.00	1.00	1.00	N/R	N/R	N/R	N/R	N/R	N/R	N/R	N/R	
		1-1/8 [28.58]	N/R	N/R	N/R	N/R	N/R	N/R	N/R	N/R	N/R	N/R	N/R	N/R	N/R	N/R	N/R	N/R	N/R

**NOTES:**  
 N/R = Application not recommended.  
 All calculations assume a 3/8" liquid line  
 [ ] Designates Metric Conversions



# Heat Pump Refrigerant Line Size Information

R-410A System Capacity Model	Vapor Line Connection Size (Inch I.D.) [mm]	Vapor Line Size (Inch O.D.) [mm]	Vapor Line Size Capacity Multiplier Table																	
			Total Equivalent Length - Feet [m]																	
			25 [7.62]	50 [15.24]	75 [22.86]	100 [30.48]	125 [45.72]	150 [45.72]	175 [53.34]	200 [60.96]	225 [68.58]	250 [76.20]	275 [83.82]	300 [91.44]						
1.5 Ton	3/4" [19.06]	5/8 [15.88]	0.99	0.99	0.99	0.98	0.98	0.97	0.97	0.97	0.97	0.97	0.97	0.96	0.96	0.96	0.96	0.96		
		3/4 [19.05]	1.00	0.99	1.00	0.99	1.00	0.99	0.99	0.99	0.99	0.99	0.99	0.99	0.99	0.99	0.99	0.99	0.99	
		7/8 [22.23]	N/R	N/R	N/R	N/R	N/R	N/R	N/R	N/R	N/R	N/R	N/R	N/R	N/R	N/R	N/R	N/R	N/R	N/R
		1 [25.40]	N/R	N/R	N/R	N/R	N/R	N/R	N/R	N/R	N/R	N/R	N/R	N/R	N/R	N/R	N/R	N/R	N/R	N/R
		1-1/8 [28.58]	N/R	N/R	N/R	N/R	N/R	N/R	N/R	N/R	N/R	N/R	N/R	N/R	N/R	N/R	N/R	N/R	N/R	N/R
2 Ton	3/4" [19.06]	5/8 [15.88]	1.00	0.99	0.99	0.98	0.97	0.96	0.96	0.95	0.95	0.95	0.95	0.94	0.93	0.93	0.93	0.93		
		3/4 [19.05]	1.00	1.00	0.99	0.99	0.99	0.99	0.99	0.99	0.99	0.99	0.99	0.99	0.99	0.99	0.99	0.98	0.98	
		7/8 [22.23]	1.00	1.00	1.00	1.00	1.00	1.00	1.00	1.00	1.00	1.00	1.00	1.00	1.00	1.00	1.00	1.00	1.00	
		1 [25.40]	N/R	N/R	N/R	N/R	N/R	N/R	N/R	N/R	N/R	N/R	N/R	N/R	N/R	N/R	N/R	N/R	N/R	N/R
		1-1/8 [28.58]	N/R	N/R	N/R	N/R	N/R	N/R	N/R	N/R	N/R	N/R	N/R	N/R	N/R	N/R	N/R	N/R	N/R	N/R
2.5 Ton	3/4" [19.06]	5/8 [15.88]	1.00	0.98	0.99	0.97	0.96	0.96	0.96	0.95	0.93	0.93	0.93	0.93	0.93	0.93	0.93	0.93		
		3/4 [19.05]	1.00	1.00	1.00	1.00	0.99	0.99	0.99	0.98	0.99	0.99	0.99	0.99	0.99	0.99	0.99	0.99		
		7/8 [22.23]	1.00	1.01	1.00	1.01	1.00	1.00	1.01	1.01	1.00	1.01	1.01	1.01	1.01	1.01	1.01	1.01	1.01	
		1 [25.40]	1.01	1.02	1.00	1.01	1.01	1.01	1.01	1.01	1.01	1.02	1.02	1.02	1.02	1.02	1.02	1.02	1.02	
		1-1/8 [28.58]	N/R	N/R	N/R	N/R	N/R	N/R	N/R	N/R	N/R	N/R	N/R	N/R	N/R	N/R	N/R	N/R	N/R	N/R
3 Ton	3/4" [19.06]	5/8 [15.88]	0.99	0.97	0.96	0.94	0.93	0.93	0.92	0.92	0.92	0.92	0.92	0.92	0.92	0.92	0.92	0.92		
		3/4 [19.05]	1.00	0.99	0.98	0.99	0.98	0.98	0.96	0.96	0.96	0.96	0.96	0.96	0.96	0.96	0.96	0.96		
		7/8 [22.23]	1.00	1.00	1.00	0.99	0.99	0.99	0.99	0.99	0.99	0.99	0.99	0.99	0.99	0.99	0.99	0.99		
		1 [25.40]	1.00	1.00	1.00	1.00	1.00	1.00	1.00	1.00	1.00	1.00	1.00	1.00	1.00	1.00	1.00	1.00		
		1-1/8 [28.58]	N/R	N/R	N/R	N/R	N/R	N/R	N/R	N/R	N/R	N/R	N/R	N/R	N/R	N/R	N/R	N/R	N/R	
3.5 Ton	3/4" [19.06]	5/8 [15.88]	0.98	0.97	0.95	0.93	0.93	0.93	0.93	0.93	0.93	0.93	0.93	0.93	0.93	0.93	0.93	0.93		
		3/4 [19.05]	1.00	0.99	0.99	0.98	0.98	0.98	0.98	0.98	0.98	0.98	0.98	0.98	0.98	0.98	0.98	0.98		
		7/8 [22.23]	1.00	1.00	1.00	0.99	0.99	0.99	0.99	0.99	0.99	0.99	0.99	0.99	0.99	0.99	0.99	0.99		
		1 [25.40]	1.01	1.00	1.00	1.00	1.00	1.00	1.00	1.00	1.00	1.00	1.00	1.00	1.00	1.00	1.00	1.00		
		1-1/8 [28.58]	1.01	1.00	1.00	1.00	1.00	1.00	1.00	1.00	1.00	1.00	1.00	1.00	1.00	1.00	1.00	1.00		
4 Ton	3/4" [19.06]	5/8 [15.88]	0.98	0.95	0.95	0.95	0.95	0.95	0.95	0.95	0.95	0.95	0.95	0.95	0.95	0.95	0.95	0.95		
		3/4 [19.05]	1.00	0.98	0.98	0.98	0.98	0.98	0.98	0.98	0.98	0.98	0.98	0.98	0.98	0.98	0.98	0.98		
		7/8 [22.23]	1.00	0.99	0.99	0.99	0.99	0.99	0.99	0.99	0.99	0.99	0.99	0.99	0.99	0.99	0.99	0.99		
		1 [25.40]	1.00	1.00	1.00	1.00	1.00	1.00	1.00	1.00	1.00	1.00	1.00	1.00	1.00	1.00	1.00	1.00		
		1-1/8 [28.58]	N/R	N/R	N/R	N/R	N/R	N/R	N/R	N/R	N/R	N/R	N/R	N/R	N/R	N/R	N/R	N/R	N/R	
5 Ton	3/4" [19.06]	5/8 [15.88]	0.97	0.94	0.94	0.94	0.94	0.94	0.94	0.94	0.94	0.94	0.94	0.94	0.94	0.94	0.94	0.94		
		3/4 [19.05]	0.99	0.98	0.98	0.98	0.98	0.98	0.98	0.98	0.98	0.98	0.98	0.98	0.98	0.98	0.98	0.98		
		7/8 [22.23]	1.00	0.99	0.99	0.99	0.99	0.99	0.99	0.99	0.99	0.99	0.99	0.99	0.99	0.99	0.99	0.99		
		1 [25.40]	1.00	1.00	1.00	1.00	1.00	1.00	1.00	1.00	1.00	1.00	1.00	1.00	1.00	1.00	1.00	1.00		
		1-1/8 [28.58]	N/R	N/R	N/R	N/R	N/R	N/R	N/R	N/R	N/R	N/R	N/R	N/R	N/R	N/R	N/R	N/R	N/R	

**NOTES:**  
 N/R = Application not recommended.  
 All calculations assume a 3/8" liquid line

# Heat Pump Refrigerant Line Size Information

R-410A System Capacity Model	Liquid Line Connection Size (Inch I.D.) [mm]	Liquid Line Size (Inch O.D.) [mm]	Liquid Line Size Outdoor Unit Below/Above Indoor Coil Differences														
			Below = Sheet 1							Above = Sheet 2							
			Total Equivalent Length - Feet [m]														
			Maximum Vertical Separation - Feet [m]														
			25 [7.62]	50 [15.24]	75 [22.86]	100 [30.48]	125 [45.72]	150 [45.72]	175 [53.34]	200 [60.96]	225 [68.58]	250 [76.20]	275 [83.82]	300 [91.44]			
1.5 Ton	3/8" [9.53]	1/4 [6.35]	0	0	N/R	N/R	N/R	N/R	N/R	N/R	N/R	N/R	N/R	N/R	N/R	N/R	
		5/16 [7.94]	0	0	5 (Above)	0	0	0	0	0	0	0	0	0	0	0	0
		3/8 [9.53]	0	0	0	0	0	0	0	0	0	0	0	0	0	0	0
		7/16 [11.12]	0	0	0	0	0	5 (Above)	0	0	0	0	0	0	0	0	0
		1/2 [12.71]	0	0	0	0	0	0	0	0	0	5 (Above)	0	0	0	0	0
2 Ton	3/8" [9.53]	1/4 [6.35]	5 (Below)	N/R	N/R	N/R	N/R	N/R	N/R	N/R	N/R	N/R	N/R	N/R	N/R	N/R	
		5/16 [7.94]	0	0	0	0	N/R	N/R	N/R	N/R	N/R	N/R	N/R	N/R	N/R	N/R	
		3/8 [9.53]	0	0	0	0	0	0	0	0	0	0	0	0	0	0	0
		7/16 [11.12]	0	0	0	0	5 (Above)	0	0	0	0	0	0	0	0	0	0
		1/2 [12.71]	0	0	0	0	0	0	5 (Above)	0	0	0	0	0	0	0	0
2.5 Ton	3/8" [9.53]	1/4 [6.35]	N/R	N/R	N/R	N/R	N/R	N/R	N/R	N/R	N/R	N/R	N/R	N/R	N/R	N/R	
		5/16 [7.94]	0	0	5 (Below)	N/R	N/R	N/R	N/R	N/R	N/R	N/R	N/R	N/R	N/R	N/R	
		3/8 [9.53]	0	0	0	0	0	0	0	0	0	0	0	0	0	0	
		7/16 [11.12]	0	0	0	0	0	0	0	0	0	0	0	0	0	0	0
		1/2 [12.71]	0	0	0	0	0	0	0	0	0	0	5 (Above)	0	0	0	0
3 Ton	3/8" [9.53]	1/4 [6.35]	N/R	N/R	N/R	N/R	N/R	N/R	N/R	N/R	N/R	N/R	N/R	N/R	N/R	N/R	
		5/16 [7.94]	0	0	N/R	N/R	N/R	N/R	N/R	N/R	N/R	N/R	N/R	N/R	N/R	N/R	
		3/8 [9.53]	0	0	0	0	0	0	0	0	0	0	0	0	0	0	
		7/16 [11.12]	0	0	0	0	0	0	0	0	0	0	0	0	0	0	0
		1/2 [12.71]	0	0	0	0	0	0	0	0	0	0	0	0	0	0	0
3.5 Ton	3/8" [9.53]	1/4 [6.35]	N/R	N/R	N/R	N/R	N/R	N/R	N/R	N/R	N/R	N/R	N/R	N/R	N/R	N/R	
		5/16 [7.94]	0	0	N/R	N/R	N/R	N/R	N/R	N/R	N/R	N/R	N/R	N/R	N/R	N/R	
		3/8 [9.53]	0	0	0	0	0	0	0	0	0	0	0	0	0	0	
		7/16 [11.12]	0	0	0	0	0	0	0	0	0	0	0	0	0	0	0
		1/2 [12.71]	0	0	0	0	0	0	0	0	0	0	0	0	0	0	0
4 Ton	3/8" [9.53]	1/4 [6.35]	N/R	N/R	N/R	N/R	N/R	N/R	N/R	N/R	N/R	N/R	N/R	N/R	N/R	N/R	
		5/16 [7.94]	0	0	N/R	N/R	N/R	N/R	N/R	N/R	N/R	N/R	N/R	N/R	N/R	N/R	
		3/8 [9.53]	0	0	0	0	0	0	0	0	0	0	0	0	0	0	
		7/16 [11.12]	0	0	0	0	0	0	0	0	0	0	0	0	0	0	0
		1/2 [12.71]	0	0	0	0	0	0	0	0	0	0	0	0	0	0	0
5 Ton	3/8" [9.53]	1/4 [6.35]	N/R	N/R	N/R	N/R	N/R	N/R	N/R	N/R	N/R	N/R	N/R	N/R	N/R	N/R	
		5/16 [7.94]	N/R	N/R	N/R	N/R	N/R	N/R	N/R	N/R	N/R	N/R	N/R	N/R	N/R	N/R	
		3/8 [9.53]	0	0	N/R	N/R	N/R	N/R	N/R	N/R	N/R	N/R	N/R	N/R	N/R	N/R	
		7/16 [11.12]	0	0	0	0	0	0	0	0	0	0	0	0	0	0	
		1/2 [12.71]	0	0	0	0	0	0	0	0	0	0	0	0	0	0	

**NOTES:**  
 N/R = Application not recommended.  
 Grey = This application is acceptable, but the long line guidelines must be followed. Reference Long Line Set section in the i&O.  
 [ ] Designates Metric Conversions

## Performance Data @ AHRI Standard Conditions – Heat Pump

High Sales Volume Tested Combination (HSVTC)													
Outdoor Unit	Air Handler	Total Capacity BTU/H [kW]	Net Sensible BTU/H [kW]	Net Latent BTU/H [kW]	SEER	EER	Indoor CFM [L/s]	47 Degree Heating Capacity BTU/H [kW]	47 Degree COP	17 Degree Heating Capacity BTU/H [kW]	17 Degree COP	Region IV HSPF	AHRI#
WP1418AJ1	WH1T2417STAN	18000 [5.3]	13500 [4.0]	4500 [1.3]	14	11.5	575 [271.4]	16600 [4.9]	3.66	10500 [3.1]	2.40	8.5	8937149
WP1424AJ1	WH1T2417STAN	23800 [7.0]	18300 [5.4]	5500 [1.6]	14	11.5	800 [377.6]	22000 [6.4]	3.66	13900 [4.1]	2.46	8.5	8937150
WP1430AJ1	WH1T3617STAN	29000 [8.5]	22000 [6.4]	7000 [2.1]	14	11.5	1025 [483.7]	26000 [7.6]	3.46	15200 [4.5]	2.20	8.5	8937152
WP1436AJ1	WH1T3617STAN	35400 [10.4]	26800 [7.9]	8600 [2.5]	14	11.5	1200 [566.3]	34200 [10.0]	3.40	21400 [6.3]	2.26	8.5	8937153
WP1442AJ1	WH1T4821STAN	40500 [11.9]	30000 [8.8]	10500 [3.1]	14	11.5	1400 [660.7]	40500 [11.9]	3.76	25800 [7.6]	2.66	8.5	8937195
WP1448AJ1	WH1T4821STAN	47000 [13.8]	36400 [10.7]	11600 [3.4]	14	11.5	1600 [755.1]	47000 [13.8]	3.60	29600 [8.7]	2.50	8.2	10157444
WP1460AJ1	RHLL-HM6024	57000 [16.7]	43000 [12.6]	14000 [4.1]	14	11.5	1800 [849.5]	57000 [16.7]	3.60	40000 [11.7]	2.74	8.2	10157445

Air Handler Ratings													
Outdoor Unit	Air Handler	Total Capacity BTU/H [kW]	Net Sensible BTU/H [kW]	Net Latent BTU/H [kW]	SEER	EER	Indoor CFM [L/s]	47 Degree Heating Capacity BTU/H [kW]	47 Degree COP	17 Degree Heating Capacity BTU/H [kW]	17 Degree COP	Region IV HSPF	AHRI#
WP1418AJ1	WBHP-17	17900 [5.2]	13000 [3.8]	4900 [1.4]	14	11.5	600 [283.2]	16800 [4.9]	3.70	9000 [2.6]	2.40	8.5	8937148
WP1430AJ1	WBHP-21	29000 [8.5]	21500 [6.3]	7500 [2.2]	14	11.5	1000 [471.9]	26800 [7.9]	3.84	14500 [4.2]	2.60	8.5	8937151
WP1442AJ1	WBHP-24	40000 [11.7]	28200 [8.3]	11800 [3.5]	14	11.5	1400 [660.7]	42000 [12.3]	3.70	28000 [8.2]	2.66	8.5	8937154

[ J ] Designates Metric Conversions

**GENERAL TERMS OF LIMITED WARRANTY\***

WeatherKing will furnish a replacement for any part of this product which fails in normal use and service within the applicable period stated, in accordance with the terms of the limited warranty.

Parts.....Five (5) Years

**\*For complete details of the Limited and Conditional Warranties, including applicable terms and conditions, contact your local contractor or the Manufacturer for a copy of the product warranty certificate.**







---

**Before proceeding with installation, refer to installation instructions packaged with each model, as well as complying with all Federal, State, Provincial, and Local codes, regulations, and practices.**



---

*"In keeping with its policy of continuous progress and product improvement, WeatherKing reserves the right to make changes without notice."*