



## AIR CONDITIONERS



### Features

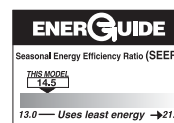
- Outdoor air conditioner designed for ground level or rooftop installations. These units offer comfort and dependability for single, multi-family and light commercial applications.
- Painted louvered steel cabinet
- Easily accessible control box
- Condenser coils constructed with copper tubing and enhanced aluminum fins
- Grille/Motor mount for quiet fan operation
- Filter Drier (shipped – not installed)

### WA14\*\*W- SERIES

Efficiency 14 SEER/11.7-12.2 EER

Nominal Sizes 1.5 to 5 Ton

[5.28 to 17.6 kW]



*“Proper sizing and installation of equipment is critical to achieve optimal performance. Split system air conditioners and heat pumps must be matched with appropriate coil components to meet ENERGY STAR criteria. Ask your Contractor for details or visit [www.energystar.gov](http://www.energystar.gov).”*

## TABLE OF CONTENTS

|  |      |
|--|------|
| Model Number Identification .....      | 3-4  |
| Electrical & Physical Data .....       | 5    |
| Unit Dimensions .....                  | 6    |
| Refrigerant Line Size Information..... | 7    |
| Performance Data .....                 | 8-10 |
| Limited Warranty .....                 | 11   |

## Air Conditioners\*

| <u>W</u>     | <u>A</u>             | <u>14</u>                    | <u>24</u>   | <u>W</u>                               | <u>J</u>  | <u>1</u>         | <u>N</u>              | <u>A</u>       | <u>*</u>    |
|--------------|----------------------|------------------------------|---|--|---|------------------|-----------------------|----------------|-------------|
| Brand        | Product Category     | SEER                         | Capacity BTU/HR   | Major Series*                          | Voltage   | Type             | Controls              | Minor Series** | Option Code |
| Weather King | A - Air Conditioners | 13 - 13 SEER<br>14 - 14 SEER | 18 - 18,000 [5.28 kW]<br>24 - 24,000 [7.03 kW]<br>30 - 30,000 [8.79 kW]<br>36 - 36,000 [10.55 kW]<br>42 - 42,000 [12.31 kW]<br>48 - 48,000 [14.07 kW]<br>60 - 60,000 [17.58 kW] | A - 1st Design<br>W - Southwest Region | J - 1ph, 208-230/60<br>C - 3ph, 208-230/60<br>D - 3ph, 460/60 | 1 - Single-stage | N - Non-Communicating | A - 1st Design | N/A         |

## Heat Pumps (For Reference)\*\*

| <u>W</u>    | <u>P</u>         | <u>14</u>                    | <u>24</u>   | <u>A</u>       | <u>J</u>            | <u>1</u>         | <u>N</u>              | <u>A</u>       | <u>*</u>    |
|-------------|------------------|------------------------------|---|----------------|---------------------|------------------|-----------------------|----------------|-------------|
| Brand       | Product Category | SEER                         | Capacity BTU/HR   | Major Series*  | Voltage             | Type             | Controls              | Minor Series** | Option Code |
| WeatherKing | P - Heat Pump    | 13 - 13 SEER<br>14 - 14 SEER | 18 - 18,000 [5.28 kW]<br>24 - 24,000 [7.03 kW]<br>30 - 30,000 [8.79 kW]<br>36 - 36,000 [10.55 kW]<br>42 - 42,000 [12.31 kW]<br>48 - 48,000 [14.07 kW]<br>60 - 60,000 [17.58 kW] | A - 1st Design | J - 1ph, 208-230/60 | 1 - Single-stage | N - Non-Communicating | A - 1st Design | N/A         |

## Furnace Coils (For Reference)\*\*

| <u>T</u> | <u>C</u>         | <u>F</u>                              | <u>24</u>   | <u>17</u>  | <u>S</u>   | <u>T</u>                   | <u>A</u>       | <u>M</u>   | <u>C</u>                 | <u>A</u>       | <u>*</u>    |
|----------|------------------|---------------------------------------|---|--|--|----------------------------|----------------|--|--------------------------|----------------|-------------|
| Brand    | Product Category | Type                                  | Capacity BTU/HR   | Width  | Efficiency   | Metering Device            | Major Series*  | Orientation  | Casing                   | Minor Series** | Option Code |
| Generic  | C - Evap Coil    | F - Furn Coil<br>H - Air-Handler Coil | 24 - 24,000 [7.03 kW]<br>36 - 36,000 [10.55 kW]<br>48 - 48,000 [14.07 kW]<br>60 - 60,000 [17.58 kW] | 14 - 14"<br>17 - 17.5"<br>21 - 21"<br>24 - 24.5" | S - Standard Eff.<br>M - Mid Eff.<br>H - High Eff. | T-TXV<br>E-EEV<br>P-Piston | A - 1st Design | M - Multipoise<br>V - Vertical only/<br>convertible<br>H - Ded.<br>Horizontal only | C - Cased<br>U - Uncased | A - 1st Design | N/A         |

[ J ] Designates Metric Conversions

**90%+ AFUE Gas Furnaces (For Reference)\*\***

| <u>W</u>    | <u>92</u>                    | <u>P</u> | <u>A</u>       | <u>70</u>   | <u>2</u>         | <u>3</u>                                 | <u>17</u>  | <u>M</u>      | <u>S</u>                    | <u>A</u>       |
|-------------|------------------------------|----------|----------------|---|------------------|--|--|---------------|-----------------------------|----------------|
| Brand       | Series                       | Motor    | Major Rev      | Input BTU/HR  | Stages           | Air Flow                                 | Cabinet Width                                    | Configuration | Nox                         | Minor Rev      |
| WeatherKing | 92 - 92 AFUE<br>96 - 96 AFUE | P - PSC  | A - 1st Design | 040 - 42,000 [12.31 kW]<br>060 - 56,000 [16.41 kW]<br>070 - 70,000 [20.51 kW]<br>085 - 84,000 [24.62 kW]<br>100 - 98,000 [28.72 kW]<br>115 - 112,000 [32.82 kW] | 1 - Single-stage | 3 - up to 3 ton<br>5 - 3 1/2 up to 5 ton | 14 - 14"<br>17 - 17.5"<br>21 - 21"<br>24 - 24.5" | M - Multi     | X - Low Nox<br>S - Standard | A - 1st Design |

**80% AFUE Gas Furnaces (For Reference)\*\***

| <u>W</u>    | <u>80</u>     | <u>1</u>         | <u>S</u>         | <u>A</u>       | <u>075</u>  | <u>3</u>   | <u>17</u>  | <u>M</u>   | <u>S</u>                    | <u>A</u>       |
|-------------|---------------|------------------|------------------|----------------|---|--|--|--|-----------------------------|----------------|
| Brand       | Series        | Stages           | Motor            | Major Rev      | Input BTU/HR  | Air Flow   | Cabinet Width                                    | Configuration                                    | Nox                         | Minor Rev      |
| WeatherKing | 80 - 80+ AFUE | 1 - Single-stage | S - PSC standard | A - 1st Design | 050 - 50,000 [15 kW]<br>075 - 75,000 [22 kW]<br>100 - 100,000 [29 kW]<br>125 - 125,000 [37 kW]<br>150 - 150,000 [44 kW] | 3 - up to 3 ton<br>4 - 2 1/2 to 4 ton<br>5 - 3 1/2 up to 5 ton | 14 - 14"<br>17 - 17.5"<br>21 - 21"<br>24 - 24.5" | M - Multi<br>Z - Down & zero clearance down flow | X - Low Nox<br>S - Standard | A - 1st Design |

**Air Handlers (For Reference)\*\***

| <u>W</u>     | <u>H</u>         | <u>1</u>          | <u>I</u>                       | <u>36</u>   | <u>17</u>  | <u>S</u>   | <u>I</u>        | <u>A</u>       | <u>N</u>     | <u>A</u>  | <u>*</u>       | <u>-</u>                                      |
|--------------|------------------|-------------------|--------------------------------|---|--|--|-----------------|----------------|--------------|---|----------------|---|
| Brand        | Product Category | Stages of Airflow | Motor Type                     | Capacity BTU/HR   | Width  | Coil Size  | Metering Device | Major Series*  | Controls     | Voltage   | Minor Series** | Factory Heat Cap Code                         |
| Weather King | H - Air Handler  | 1 - Single-Stage  | T - Constant Torque<br>P - PSC | 24 - 24,000 [7.03 kW]<br>36 - 36,000 [10.55 kW]<br>48 - 48,000 [14.07 kW]<br>60 - 60,000 [17.58 kW] | 14 - 14"<br>17 - 17.5"<br>21 - 21"<br>24 - 24.5" | S - Standard Eff.<br>M - Mid Eff.<br>H - High Eff. | T - TEV         | A - 1st Design | N - Non-comm | A - 1ph, 115/60<br>J - 1ph, 208-240/60<br>D - 3ph, 480/60 | A - 1st Design | 00 - no factory heat with option code<br>*TBD |

[ ] Designates Metric Conversions

## Electrical and Physical Data

| Model Number<br>WA<br>14**W | ELECTRICAL                                 |                                |                                  |  |   |                                 |                    | PHYSICAL                               |             |             |                                      |                  |                       |  |
|-----------------------------|--|--------------------------------|----------------------------------|--|---|---------------------------------|--------------------|--|-------------|-------------|--------------------------------------|------------------|-----------------------|--|
|                             | Phase<br>Frequency (Hz)<br>Voltage (Volts) | Compressor                     |                                  | Fan Motor<br>Full Load<br>Amperes<br>(FLA) | Minimum<br>Circuit<br>Capacity<br>Amperes | Fuse or HACR<br>Circuit Breaker |                    | Outdoor Coil                           |             |             | Refrig.<br>Per<br>Circuit<br>Oz. [g] | Weight           |                       |  |
|                             |  | Rated Load<br>Amperes<br>(RLA) | Locked Rotor<br>Amperes<br>(LRA) |  |   | Minimum<br>Amperes              | Maximum<br>Amperes | Face Area<br>Sq. Ft. [m <sup>2</sup> ] | No.<br>Rows | CFM [L/s]   |                                      | Net<br>Lbs. [kg] | Shipping<br>Lbs. [kg] |  |
| 18                          | 1-60-208/230                               | 9/9                            | 46                               | 0.5  | 12/12                                     | 15/15                           | 20/20              | 11.80 [1.1]                            | 1           | 2200 [1038] | 80.9 [2293]                          | 150 [68.0]       | 157 [63.5]            |  |
| 24                          | 1-60-208/230                               | 13.5/13.5                      | 58.3                             | 0.8  | 18/18                                     | 25/25                           | 30/30              | 13.72 [1.2]                            | 1           | 2007 [947]  | 75.8 [2148]                          | 164 [74.3]       | 171 [69.9]            |  |
| 30                          | 1-60-208/230                               | 12.8/12.8                      | 64                               | 0.68                                       | 18/18                                     | 25/25                           | 30/30              | 13.72 [1.2]                            | 1           | 2915 [1375] | 83.5 [2367]                          | 168 [76.2]       | 175 [71.2]            |  |
| 36                          | 1-60-208/230                               | 15.4/15.4                      | 79                               | 1.0  | 21/21                                     | 25/25                           | 35/35              | 21.85 [2.03]                           | 1           | 3431 [1619] | 100.8 [2857]                         | 194 [91.1]       | 201 [82.1]            |  |
| 42                          | 1-60-208/230                               | 16.0/16.0                      | 88                               | 2.8  | 23/23                                     | 30/30                           | 35/35              | 21.85 [2.03]                           | 1           | 3431 [1619] | 165 [4734]                           | 218 [98.8]       | 225 [93]              |  |
| 48                          | 1-60-208/230                               | 21.8/21.8                      | 117                              | 2.8  | 31/31                                     | 40/40                           | 50/50              | 21.85 [2.03]                           | 2           | 3615 [1706] | 133 [3770]                           | 262 [118.8]      | 269 [112.9]           |  |
| 60                          | 1-60-208/230                               | 26.4/26.4                      | 134                              | 1.7  | 36/36                                     | 45/45                           | 60/60              | 21.85 [2.03]                           | 2           | 3615 [1706] | 170.2 [4825]                         | 254 [115.2]      | 274 [115.2]           |  |

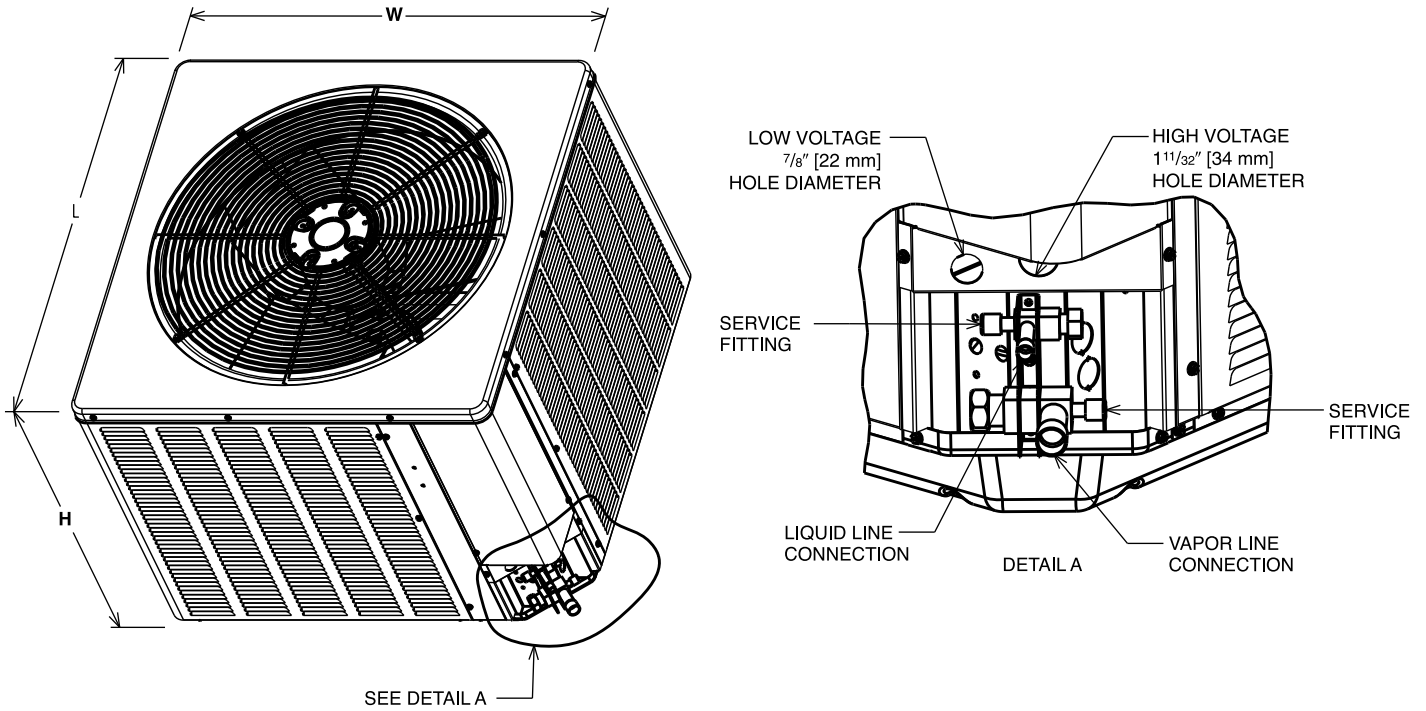
NOTE: Factory Refrigerant Charge includes refrigerant for 15 feet of standard line set.

[ ] Designates Metric Conversions

## Unit Dimensions

| Model No.<br>WA14**W | Unit Dimensions                      |                                      |                                      |
|----------------------|--------------------------------------|--------------------------------------|--------------------------------------|
|                      | Width "W"<br>Inches [mm]             | Length "L"<br>Inches [mm]            | Height "H"<br>Inches [mm]            |
| 18, 24               | 27 <sup>5</sup> / <sub>8</sub> [702] | 27 <sup>5</sup> / <sub>8</sub> [702] | 24 <sup>1</sup> / <sub>4</sub> [616] |
| 30                   | 31 <sup>5</sup> / <sub>8</sub> [803] | 31 <sup>5</sup> / <sub>8</sub> [803] | 27 <sup>3</sup> / <sub>8</sub> [695] |
| 36, 42, 48, 60       | 31 <sup>5</sup> / <sub>8</sub> [803] | 31 <sup>5</sup> / <sub>8</sub> [803] | 35 <sup>3</sup> / <sub>8</sub> [899] |

[ ] Designates Metric Conversions



NOTE: Illustrations show the deep drawn basepan.

## Condensing Unit Refrigerant Line Size Information

| Liquid Line Sizing (R-410A) |   |                            |   |            |            |             |             |             |   |            |            |             |             |             |
|-----------------------------|---|----------------------------|---|------------|------------|-------------|-------------|-------------|---|------------|------------|-------------|-------------|-------------|
| System Capacity             | Liquid Line Connection Size (Inch I.D.) | Line Size (Inch O.D.) [mm] | Liquid Line Size – Outdoor Unit Above Indoor Coil (Cooling Only—Does not apply to Heat Pumps) |            |            |             |             |             | Liquid Line Size – Outdoor Unit Below Indoor Coil |            |            |             |             |             |
|                             |   |                            | Total Equivalent Length—Feet [m]  |            |            |             |             |             | Total Equivalent Length—Feet [m]                  |            |            |             |             |             |
|                             |   |                            | 25 [7.62]   | 50 [15.24] | 75 [22.86] | 100 [30.48] | 125 [38.10] | 150 [45.72] | 25 [7.62]   | 50 [15.24] | 75 [22.86] | 100 [30.48] | 125 [38.10] | 150 [45.72] |
|                             |   |                            | Minimum Vertical Separation—Feet [m]  |            |            |             |             |             | Maximum Vertical Separation—Feet [m]              |            |            |             |             |             |
| -18                         | 3/8" [9.53]                             | 1/4 [6.35]                 | 0   | 0          | 0          | 5 [1.52]    | 19 [5.79]   | 33 [10.06]  | 25 [7.62]   | 24 [7.32]  | 10 [3.05]  | N/A         | N/A         | N/A         |
|                             |   | 5/16 [7.93]                | 0   | 0          | 0          | 0           | 0           | 0           | 25 [7.62]   | 45 [13.72] | 41 [12.50] | 38 [11.58]  | 34 [10.36]  | 30 [9.14]   |
|                             |   | 3/8* [9.53]                | 0   | 0          | 0          | 0           | 0           | 0           | 25 [7.62]   | 50 [15.24] | 49 [14.94] | 47 [14.33]  | 46 [14.02]  | 45 [13.72]  |
| -24                         | 3/8" [9.53]                             | 1/4 [6.35]                 | 0   | 10 [3.05]  | 36 [10.97] | 61 [18.59]  | 87 [26.52]  | 112 [34.14] | 16 [4.88]   | N/A        | N/A        | N/A         | N/A         | N/A         |
|                             |   | 5/16 [7.93]                | 0   | 0          | 0          | 0           | 0           | 0           | 25 [7.62]   | 28 [8.53]  | 22 [6.71]  | 15 [4.57]   | 9 [2.74]    | N/A         |
|                             |   | 3/8* [9.53]                | 0   | 0          | 0          | 0           | 0           | 0           | 25 [7.62]   | 37 [11.28] | 34 [10.36] | 32 [9.75]   | 30 [9.14]   | 28 [8.53]   |
| -30                         | 3/8" [9.53]                             | 1/4 [6.35]                 | 0   | 10 [3.05]  | 42 [12.80] | 74 [22.56]  | 107 [32.61] | 139 [42.37] | 23 [7.01]   | N/A        | N/A        | N/A         | N/A         | N/A         |
|                             |   | 5/16 [7.93]                | 0   | 0          | 0          | 0           | 0           | 0           | 25 [7.62]   | 39 [11.89] | 31 [9.45]  | 22 [6.71]   | 14 [4.27]   | N/A         |
|                             |   | 3/8* [9.53]                | 0   | 0          | 0          | 0           | 0           | 0           | 25 [7.62]   | 50 [15.24] | 47 [14.33] | 44 [13.41]  | 41 [12.50]  | 38 [11.58]  |
| -36                         | 3/8" [9.53]                             | 5/16 [7.93]                | 0   | 0          | 0          | 0           | 6 [1.83]    | 18 [5.49]   | 25 [7.62]   | 30 [9.14]  | 18 [5.49]  | N/A         | N/A         | N/A         |
|                             |   | 3/8* [9.53]                | 0   | 0          | 0          | 0           | 0           | 0           | 25 [7.62]   | 45 [13.72] | 41 [12.50] | 37 [11.28]  | 33 [10.06]  | 29 [8.84]   |
|                             |   | 1/2 [12.70]                | 0   | 0          | 0          | 0           | 0           | 0           | 25 [7.62]   | 50 [15.24] | 51 [15.55] | 50 [15.24]  | 49 [14.94]  | 48 [14.63]  |
| -42                         | 3/8" [9.53]                             | 5/16 [7.93]                | 0   | 0          | 0          | 16 [4.88]   | 32 [9.75]   | 48 [14.63]  | 25 [7.62]   | 16 [4.88]  | N/A        | N/A         | N/A         | N/A         |
|                             |   | 3/8* [9.53]                | 0   | 0          | 0          | 0           | 0           | 0           | 25 [7.62]   | 37 [11.28] | 31 [9.45]  | 26 [7.93]   | 20 [6.10]   | 15 [4.57]   |
|                             |   | 1/2 [12.70]                | 0   | 0          | 0          | 0           | 0           | 0           | 25 [7.62]   | 45 [13.72] | 44 [13.41] | 43 [13.11]  | 42 [12.80]  | 41 [12.50]  |
| -48                         | 3/8" [9.53]                             | 5/16 [7.93]                | 0   | 0          | 7 [2.13]   | 27 [8.23]   | 48 [14.63]  | 69 [21.03]  | 25 [7.62]   | 14 [4.27]  | N/A        | N/A         | N/A         | N/A         |
|                             |   | 3/8* [9.53]                | 0   | 0          | 0          | 0           | 0           | 0           | 25 [7.62]   | 41 [12.50] | 34 [10.36] | 27 [8.23]   | 20 [6.10]   | 13 [3.96]   |
|                             |   | 1/2 [12.70]                | 0   | 0          | 0          | 0           | 0           | 0           | 25 [7.62]   | 50 [15.24] | 51 [15.55] | 49 [14.94]  | 48 [14.63]  | 46 [14.02]  |
| -60                         | 3/8" [9.53]                             | 3/8* [9.53]                | 0   | 0          | 0          | 0           | 0           | 11 [3.35]   | 25 [7.62]   | 32 [9.75]  | 21 [6.40]  | 11 [3.35]   | N/A         | N/A         |
|                             |   | 1/2 [12.70]                | 0   | 0          | 0          | 0           | 0           | 0           | 25 [7.62]   | 49 [14.94] | 47 [14.33] | 45 [13.72]  | 43 [13.11]  | 41 [12.50]  |

NOTES: \*Standard line size  
N/A = Application not recommended.

| Suction Line Length/Size versus Capacity Multiplier (R-410A) |   |  |   |   |   |                   |                   |                   |
|--|---|--|---|---|---|-------------------|-------------------|-------------------|
| Unit Size  | 1 1/2 Ton   | 2 Ton  | 2 1/2 Ton   | 3 Ton   | 3 1/2 Ton   | 4 Ton             | 5 Ton             |                   |
| Suction Line Connection Size                                 | 3/4" [19.05] I.D.   |  |   |   | 7/8" [22.23] I.D.   |                   |                   |                   |
| Suction Line Run—Feet [m]                                    | 5/8" [15.88 mm] O.D. Optional<br>3/4" [19.05 mm] O.D. Standard* | 5/8" [15.88 mm] O.D. Optional<br>3/4" [19.05 mm] O.D. Standard*<br>7/8" [22.23 mm] O.D. Optional | 3/4" [19.05 mm] O.D. Optional<br>7/8" [22.23 mm] O.D. Standard* | 3/4" [19.05 mm] O.D. Optional<br>7/8" [22.23 mm] O.D. Standard* | 7/8" [22.23 mm] O.D. Optional<br>1 1/8" [28.58 mm] O.D. Standard* |                   |                   |                   |
| 25' [7.62]   | Optional<br>Standard<br>Optional                                | 1.00<br>1.00<br>—  | 1.00<br>1.00<br>—   | 1.00<br>1.00<br>1.00  | 1.00<br>1.00<br>—   | 1.00<br>1.00<br>— | 1.00<br>1.00<br>— | 1.00<br>1.00<br>— |
| 50' [15.24]  | Optional<br>Standard<br>Optional                                | .98<br>.99<br>—  | .98<br>.99<br>—   | .96<br>.98<br>.99   | .98<br>.99<br>—   | .99<br>.99<br>—   | .99<br>.99<br>—   | .99<br>.99<br>—   |
| 100' [30.48]   | Optional<br>Standard<br>Optional                                | .95<br>.96<br>—  | .95<br>.96<br>—   | .94<br>.96<br>.97   | .96<br>.97<br>—   | .96<br>.98<br>—   | .96<br>.98<br>—   | .97<br>.98<br>—   |
| 150' [45.72]   | Optional<br>Standard<br>Optional                                | .92<br>.93<br>—  | .92<br>.94<br>—   | .91<br>.93<br>.95   | .94<br>.95<br>—   | .94<br>.96<br>—   | .95<br>.96<br>—   | .94<br>.97<br>—   |

NOTES: \*Standard line size  
Using suction line larger than shown in chart will result in poor oil return and is not recommended.  
3 Ton Suction Line Connection is 3/4"

[ ] Designates Metric Conversions

## Performance Data @ AHRI Standard Conditions—Cooling

| High Sales Volume Tested Combination (HSVTC) |                            |                              |                            |                          |       |       |                     |         |
|--|----------------------------|------------------------------|----------------------------|--------------------------|-------|-------|---------------------|---------|
| Outdoor Unit                                 | Indoor Coil or Air Handler | Total Capacity<br>BTU/H [kW] | Net Sensible<br>BTU/H [kW] | Net Latent<br>BTU/H [kW] | SEER  | EER   | Indoor CFM<br>[L/s] | AHRI#   |
| WA1418WJ1                                    | TCFL-H*2417+RXMD-C04       | 18000 [5.3]                  | 13300 [3.9]                | 4700 [1.4]               | 14.00 | 12.20 | 600 [283.2]         | 8937990 |
| WA1424WJ1                                    | TCFL-H*2617+RXMD-C04       | 24000 [7.0]                  | 17500 [5.1]                | 6500 [1.9]               | 14.00 | 12.20 | 800 [377.6]         | 8937992 |
| WA1430WJ1                                    | TCF3617STA+RXMD-C04        | 28600 [8.4]                  | 20400 [6.0]                | 8200 [2.4]               | 14.00 | 12.20 | 975 [460.1]         | 8937994 |
| WA1436WJ1                                    | TCF3621STA+RXMD-C04        | 36000 [10.6]                 | 26200 [7.7]                | 9800 [2.9]               | 14.00 | 12.20 | 1125 [530.9]        | 8937996 |
| WA1442WJ1                                    | TCF4821STA+RXMD-C04        | 40500 [11.9]                 | 31000 [9.1]                | 9500 [2.8]               | 14.00 | 12.20 | 1350 [637.1]        | 8937998 |
| WA1448WJ1                                    | TCF4821STA+RXMD-C04        | 46500 [13.6]                 | 34100 [10.0]               | 12400 [3.6]              | 14.00 | 11.70 | 1375 [648.9]        | 8937130 |
| WA1460WJ1                                    | TCFL-H*6024+RXMD-C04       | 59500 [17.4]                 | 41000 [12.0]               | 18500 [5.4]              | 14.00 | 11.70 | 1600 [755.1]        | 8937999 |

[ ] Designates Metric Conversions



## Performance Data @ AHRI Standard Conditions—Cooling (con't.)

| Coil Only Ratings |                     |                              |                            |                          |       |       |                     |         |
|-------------------|---------------------|------------------------------|----------------------------|--------------------------|-------|-------|---------------------|---------|
| Outdoor Unit      | Indoor Coil         | Total Capacity<br>BTU/H [kW] | Net Sensible<br>BTU/H [kW] | Net Latent<br>BTU/H [kW] | SEER  | EER   | Indoor CFM<br>[L/s] | AHRI#   |
| WA1418WJ1         | TCF2414STA+RXMD-C04 | 18000 [5.3]                  | 13300 [3.9]                | 4700 [1.4]               | 14.00 | 12.20 | 600 [283.2]         | 8937040 |
|                   | TCF2417HTA+RXMD-C04 | 18000 [5.3]                  | 13300 [3.9]                | 4700 [1.4]               | 14.00 | 12.20 | 600 [283.2]         | 8937041 |
|                   | TCF2417MTA+RXMD-C04 | 18000 [5.3]                  | 13300 [3.9]                | 4700 [1.4]               | 14.00 | 12.20 | 600 [283.2]         | 8937042 |
|                   | TCF2417STA+RXMD-C04 | 18000 [5.3]                  | 13300 [3.9]                | 4700 [1.4]               | 14.00 | 12.20 | 600 [283.2]         | 8937043 |
|                   | TCF2421MTA+RXMD-C04 | 18000 [5.3]                  | 13300 [3.9]                | 4700 [1.4]               | 14.00 | 12.20 | 600 [283.2]         | 8937045 |
|                   | TCF2421HTA+RXMD-C04 | 18000 [5.3]                  | 13300 [3.9]                | 4700 [1.4]               | 14.00 | 12.20 | 600 [283.2]         | 8937044 |
| WA1424WJ1         | TCF2414STA+RXMD-C04 | 24000 [7.0]                  | 18000 [5.3]                | 6000 [1.8]               | 14.00 | 12.20 | 800 [377.6]         | 8937058 |
|                   | TCF2417STA+RXMD-C04 | 23800 [7.0]                  | 17700 [5.2]                | 6100 [1.8]               | 14.00 | 12.20 | 800 [377.6]         | 8937059 |
| WA1430WJ1         | TCF3621HTA+RXMD-C04 | 30000 [8.8]                  | 21400 [6.3]                | 8600 [2.5]               | 14.00 | 12.20 | 1000 [471.9]        | 8937075 |
|                   | TCF3621MTA+RXMD-C04 | 30000 [8.8]                  | 21400 [6.3]                | 8600 [2.5]               | 14.00 | 12.20 | 1000 [471.9]        | 8937076 |
|                   | TCF3621STA+RXMD-C04 | 28400 [8.3]                  | 19100 [5.6]                | 9300 [2.7]               | 14.00 | 12.20 | 1000 [471.9]        | 8937077 |
|                   | TCF3624HTA+RXMD-C04 | 30000 [8.8]                  | 21400 [6.3]                | 8600 [2.5]               | 14.00 | 12.20 | 1000 [471.9]        | 8937078 |
|                   | TCF3624MTA+RXMD-C04 | 30000 [8.8]                  | 21400 [6.3]                | 8600 [2.5]               | 14.00 | 12.20 | 1000 [471.9]        | 8937079 |
| WA1436WJ1         | TCF3617STA+RXMD-C04 | 35400 [10.4]                 | 24100 [7.1]                | 11300 [3.3]              | 14.00 | 12.20 | 1075 [507.3]        | 8937096 |
|                   | TCF3621HTA+RXMD-C04 | 36000 [10.6]                 | 26200 [7.7]                | 9800 [2.9]               | 14.00 | 12.20 | 1200 [566.3]        | 8937097 |
|                   | TCF3621MTA+RXMD-C04 | 36000 [10.6]                 | 26200 [7.7]                | 9800 [2.9]               | 14.00 | 12.20 | 1200 [566.3]        | 8937098 |
|                   | TCF3624HTA+RXMD-C04 | 36000 [10.6]                 | 26200 [7.7]                | 9800 [2.9]               | 14.00 | 12.20 | 1200 [566.3]        | 8937099 |
|                   | TCF3624MTA+RXMD-C04 | 36000 [10.6]                 | 26200 [7.7]                | 9800 [2.9]               | 14.00 | 12.20 | 1200 [566.3]        | 8937100 |
| WA1442WJ1         | TCF4821MTA+RXMD-C04 | 41500 [12.2]                 | 30000 [8.8]                | 11500 [3.4]              | 14.00 | 12.20 | 1400 [660.7]        | 8937114 |
|                   | TCF4824HTA+RXMD-C04 | 42000 [12.3]                 | 30300 [8.9]                | 11700 [3.4]              | 14.00 | 12.20 | 1400 [660.7]        | 8937115 |
|                   | TCF4824STA+RXMD-C04 | 40500 [11.9]                 | 29600 [8.7]                | 10900 [3.2]              | 14.00 | 12.20 | 1375 [648.9]        | 8937116 |
| WA1448WJ1         | TCF4821MTA+RXMD-C04 | 48000 [14.1]                 | 35000 [10.3]               | 13000 [3.8]              | 14.00 | 11.70 | 1550 [731.5]        | 8937129 |
|                   | TCF4821STA+RXMD-C04 | 46500 [13.6]                 | 34100 [10.0]               | 12400 [3.6]              | 14.00 | 11.70 | 1375 [648.9]        | 8937130 |
|                   | TCF4824HTA+RXMD-C04 | 48000 [14.1]                 | 34200 [10.0]               | 13800 [4.0]              | 14.00 | 11.70 | 1600 [755.1]        | 8937131 |
|                   | TCF4824STA+RXMD-C04 | 46500 [13.6]                 | 34100 [10.0]               | 12400 [3.6]              | 14.00 | 11.70 | 1375 [648.9]        | 8937132 |

[ ] Designates Metric Conversions

## Performance Data @ AHRI Standard Conditions—Cooling

| Air Handler Ratings |              |                              |                            |                          |       |       |                     |         |
|---------------------|--------------|------------------------------|----------------------------|--------------------------|-------|-------|---------------------|---------|
| Outdoor Unit        | Air Handler  | Total Capacity<br>BTU/H [kW] | Net Sensible<br>BTU/H [kW] | Net Latent<br>BTU/H [kW] | SEER  | EER   | Indoor CFM<br>[L/s] | AHRI#   |
| WA1418WJ1           | RF1P1821STAN | 18000 [5.3]                  | 13300 [3.9]                | 4700 [1.4]               | 14.00 | 12.20 | 550 [259.6]         | 8937046 |
|                     | RF1T2421MTAN | 18000 [5.3]                  | 13300 [3.9]                | 4700 [1.4]               | 14.00 | 12.20 | 625 [295.0]         | 8937047 |
|                     | WBHP-17      | 18000 [5.3]                  | 13300 [3.9]                | 4700 [1.4]               | 14.00 | 12.20 | 600 [283.2]         | 8937039 |
|                     | WH1P1817STAN | 18000 [5.3]                  | 13300 [3.9]                | 4700 [1.4]               | 14.00 | 12.20 | 600 [283.2]         | 8937048 |
|                     | WH1T2417STAN | 18000 [5.3]                  | 13300 [3.9]                | 4700 [1.4]               | 14.00 | 12.20 | 600 [283.2]         | 8937049 |
| WA1424WJ1           | RF1P2421STAN | 23800 [7.0]                  | 17900 [5.2]                | 5900 [1.7]               | 14.00 | 12.20 | 800 [377.6]         | 8937060 |
|                     | RF1T2421MTAN | 23400 [6.9]                  | 17100 [5.0]                | 6300 [1.8]               | 14.00 | 12.20 | 625 [295.0]         | 8937061 |
|                     | WBHP-17      | 23800 [7.0]                  | 16300 [4.8]                | 7500 [2.2]               | 14.00 | 12.20 | 800 [377.6]         | 8937057 |
|                     | WH1P2417STAN | 23800 [7.0]                  | 17700 [5.2]                | 6100 [1.8]               | 14.00 | 12.20 | 800 [377.6]         | 8937062 |
|                     | WH1T2417STAN | 24000 [7.0]                  | 17500 [5.1]                | 6500 [1.9]               | 14.00 | 12.20 | 800 [377.6]         | 8937063 |
| WA1430WJ1           | RF1T3624MTAN | 30000 [8.8]                  | 21400 [6.3]                | 8600 [2.5]               | 14.00 | 12.20 | 1025 [483.7]        | 8937080 |
|                     | WBHP-21      | 29200 [8.6]                  | 21400 [6.3]                | 7800 [2.3]               | 14.00 | 12.20 | 1000 [471.9]        | 8937074 |
|                     | WH1T3617STAN | 29200 [8.6]                  | 21000 [6.2]                | 8200 [2.4]               | 14.00 | 12.20 | 1000 [471.9]        | 8937081 |
|                     | WH1T3621HTAN | 30000 [8.8]                  | 21400 [6.3]                | 8600 [2.5]               | 14.00 | 12.20 | 1000 [471.9]        | 8937082 |
|                     | WH1T3621MTAN | 30000 [8.8]                  | 21400 [6.3]                | 8600 [2.5]               | 14.00 | 12.20 | 975 [460.1]         | 8937083 |
| WA1436WJ1           | RF1T3624MTAN | 36000 [10.6]                 | 26200 [7.7]                | 9800 [2.9]               | 14.00 | 12.20 | 1025 [483.7]        | 8937101 |
|                     | WBHP-21      | 36000 [10.6]                 | 26200 [7.7]                | 9800 [2.9]               | 14.00 | 12.20 | 1200 [566.3]        | 8937095 |
|                     | WH1T3617STAN | 36000 [10.6]                 | 26200 [7.7]                | 9800 [2.9]               | 14.00 | 12.20 | 1200 [566.3]        | 8937102 |
|                     | WH1T3621HTAN | 36000 [10.6]                 | 26200 [7.7]                | 9800 [2.9]               | 14.00 | 12.20 | 1200 [566.3]        | 8937103 |
|                     | WH1T3621MTAN | 36000 [10.6]                 | 26200 [7.7]                | 9800 [2.9]               | 14.00 | 12.20 | 975 [460.1]         | 8937104 |
| WA1442WJ1           | WBHP-24      | 40500 [11.9]                 | 27900 [8.2]                | 12600 [3.7]              | 14.00 | 12.20 | 1400 [660.7]        | 8937113 |
|                     | WH1T3621MTAN | 40000 [11.7]                 | 29400 [8.6]                | 10600 [3.1]              | 14.00 | 12.20 | 1150 [542.7]        | 8937117 |
|                     | WH1T4821MTAN | 42000 [12.3]                 | 30900 [9.1]                | 11100 [3.3]              | 14.00 | 12.20 | 1400 [660.7]        | 8937118 |
|                     | WH1T4821STAN | 41000 [12.0]                 | 31800 [9.3]                | 9200 [2.7]               | 14.00 | 12.20 | 1400 [660.7]        | 8937119 |
| WA1448WJ1           | WBHP-24      | 47500 [13.9]                 | 32400 [9.5]                | 15100 [4.4]              | 14.00 | 11.70 | 1600 [755.1]        | 8937128 |
|                     | WH1P4821STAN | 47000 [13.8]                 | 33600 [9.8]                | 13400 [3.9]              | 14.00 | 11.70 | 1500 [707.9]        | 8937133 |
|                     | WH1T4821MTAN | 48000 [14.1]                 | 34200 [10.0]               | 13800 [4.0]              | 14.00 | 11.70 | 1600 [755.1]        | 8937134 |
|                     | WH1T4821STAN | 47500 [13.9]                 | 33500 [9.8]                | 14000 [4.1]              | 14.00 | 11.70 | 1400 [660.7]        | 8937135 |
|                     | WH1T4824STAN | 48000 [14.1]                 | 34900 [10.2]               | 13100 [3.8]              | 14.00 | 11.70 | 1550 [731.5]        | 8937136 |
| WA1460WJ1           | WH1T6021STAN | 58000 [17.0]                 | 38000 [11.1]               | 20000 [5.9]              | 14.00 | 11.70 | 1575 [743.3]        | 8937137 |
|                     | WH1T6024STAN | 60000 [17.6]                 | 39400 [11.5]               | 20600 [6.0]              | 14.00 | 11.70 | 1600 [755.1]        | 8937138 |

[ ] Designates Metric Conversions

**GENERAL TERMS OF LIMITED WARRANTY\***

WeatherKing will furnish a replacement for any part of this product which fails in normal use and service within the applicable period stated, in accordance with the terms of the limited warranty.

**\*For complete details of the Limited and Conditional Warranties, including applicable terms and conditions, contact your local contractor or the Manufacturer for a copy of the product warranty certificate.**

Conditional Parts  
(Registration Required) .....Five (5) Years

---

**Before proceeding with installation, refer to installation instructions packaged with each model, as well as complying with all Federal, State, Provincial, and Local codes, regulations, and practices.**



---

*"In keeping with its policy of continuous progress and product improvement, WeatherKing reserves the right to make changes without notice."*