



AIR CONDITIONERS

Features

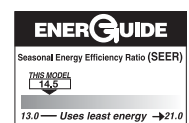
- Outdoor air conditioner designed for ground level or rooftop installations. These units offer comfort and dependability for single, multi-family and light commercial applications.
- Painted louvered steel cabinet
- Easily accessible control box
- Condenser coils constructed with copper tubing and enhanced aluminum fins
- Grille/Motor mount for quiet fan operation
- Filter Drier (shipped – not installed)



WA14 SERIES

14 SEER/11.5 EER

Nominal Sizes 1.5-5 Tons [5.28-17.6 kW]



“Proper sizing and installation of equipment is critical to achieve optimal performance. Split system air conditioners and heat pumps must be matched with appropriate coil components to meet ENERGY STAR criteria. Ask your Contractor for details or visit www.energystar.gov.”

TABLE OF CONTENTS

Model Number Identification	3-4
Electrical & Physical Data	5
Unit Dimensions	6
Refrigerant Line Size Information	7-10
Performance Data	11-17
Limited Warranty	18

Air Conditioners*

<u>W</u>	<u>A</u>	<u>13</u>	<u>24</u>	<u>A</u>	<u>J</u>	<u>1</u>	<u>N</u>	<u>A</u>	<u>*</u>
Brand	Product Category	SEER	Capacity BTU/HR	Major Series*	Voltage	Type	Controls	Minor Series**	Option Code
WeatherKing	A - Air Conditioners	13 - 13 SEER 14 - 14 SEER	18 - 18,000 [5.28 kW] 24 - 24,000 [7.03 kW] 30 - 30,000 [8.79 kW] 36 - 36,000 [10.55 kW] 42 - 42,000 [12.31 kW] 48 - 48,000 [14.07 kW] 60 - 60,000 [17.58 kW]	A - 1st Design B - 2nd Design	J - 1ph, 208-230/60 C - 3ph, 208-230/60 D - 3ph, 460/60	1 - Single-stage	N - Non-Communicating	A - 1st Design	N/A

Heat Pumps (For Reference)**

<u>W</u>	<u>P</u>	<u>14</u>	<u>24</u>	<u>A</u>	<u>J</u>	<u>1</u>	<u>N</u>	<u>A</u>	<u>*</u>
Brand	Product Category	SEER	Capacity BTU/HR	Major Series*	Voltage	Type	Controls	Minor Series**	Option Code
WeatherKing	P - Heat Pump	14 - 14 SEER	18 - 18,000 [5.28 kW] 24 - 24,000 [7.03 kW] 30 - 30,000 [8.79 kW] 36 - 36,000 [10.55 kW] 42 - 42,000 [12.31 kW] 48 - 48,000 [14.07 kW] 60 - 60,000 [17.58 kW]	A - 1st Design	J - 1ph, 208-230/60	1 - Single-stage	N - Non-Communicating	A - 1st Design	N/A

Furnace Coils (For Reference)**

<u>T</u>	<u>C</u>	<u>F</u>	<u>24</u>	<u>17</u>	<u>S</u>	<u>T</u>	<u>A</u>	<u>M</u>	<u>C</u>	<u>A</u>	<u>*</u>
Brand	Product Category	Type	Capacity BTU/HR	Width	Efficiency	Metering Device	Major Series*	Orientation	Casing	Minor Series**	Option Code
Generic	C - Evap Coil F - Furn Coil H - Air-Handler Coil	F - Furn Coil H - Air-Handler Coil	24 - 24,000 [7.03 kW] 36 - 36,000 [10.55 kW] 48 - 48,000 [14.07 kW] 60 - 60,000 [17.58 kW]	14 - 14" 17 - 17.5" 21 - 21" 24 - 24.5"	S - Standard Eff. M - Mid Eff. H - High Eff.	T-TXV E-EEV P-Piston	A - 1st Design	M - Multipoise V - Vertical only/ convertible H - Ded. Horizontal only	C - Cased U - Uncased	A - 1st Design	N/A

[] Designates Metric Conversions

90%+ AFUE Gas Furnaces (For Reference)**

<u>W</u>	<u>92</u>	<u>P</u>	<u>A</u>	<u>70</u>	<u>2</u>	<u>3</u>	<u>17</u>	<u>M</u>	<u>S</u>	<u>A</u>
Brand	Series	Motor	Major Rev	Input BTU/HR	Stages	Air Flow	Cabinet Width	Configuration	Nox	Minor Rev
WeatherKing	92 - 92 AFUE	P - PSC	A - 1st Design	040 - 42,000 [12.31 kW]	1 - Single-stage	3 - up to 3 ton	14 - 14"	M - Multi	X - Low Nox	A - 1st Design
	95 - 95 AFUE	T - Constant Torque	B - 2nd Design	060 - 56,000 [16.41 kW]		5 - 3 1/2 up to 5 ton	17 - 17.5"		S - Standard	
	96 - 96 AFUE		C - 3rd Design	070 - 70,000 [20.51 kW]			21 - 21"			
				085 - 84,000 [24.62 kW]			24 - 24.5"			
				100 - 98,000 [28.72 kW]						
				115 - 112,000 [32.82 kW]						

80% AFUE Gas Furnaces (For Reference)**

<u>W</u>	<u>80</u>	<u>2</u>	<u>V</u>	<u>A</u>	<u>075</u>	<u>3</u>	<u>17</u>	<u>M</u>	<u>S</u>	<u>A</u>
Brand	Series	Stages	Motor	Major Rev	Input BTU/HR	Air Flow	Cabinet Width	Configuration	Nox	Minor Rev
WeatherKing	80 - 80+ AFUE	1 - Single-stage	S - PSC standard T - Constant Torque	A - 1st Design	050 - 50,000 [15 kW] 075 - 75,000 [22 kW] 100 - 100,000 [29 kW] 125 - 125,000 [37 kW] 150 - 150,000 [44 kW]	3 - up to 3 ton 4 - 2 1/2 to 4 ton 5 - 3 1/2 up to 5 ton	14 - 14" 17 - 17.5" 21 - 21" 24 - 24.5"	M - Multi Z - Down & zero clearance down flow	X - Low Nox S - Standard	A - 1st Design

Air Handlers (For Reference)**

<u>W</u>	<u>H</u>	<u>1</u>	<u>I</u>	<u>36</u>	<u>17</u>	<u>S</u>	<u>I</u>	<u>A</u>	<u>N</u>	<u>A</u>	<u>000</u>	<u>*</u>
Brand	Product Category	Stages of Airflow	Motor Type	Capacity BTU/HR	Width	Coil Size	Metering Device	Major Series*	Controls	Voltage	Minor Series**	Factory Heat Option Code
R - Generic	H - Air Handler	1 - Single-Stage	P - PSC	24 - 24,000 [7.03 kW]	14 - 14"	S - Standard Eff.	T - TEV	A - 1st Design	N - Non-comm	A - 1ph, 115/60	A - 1st Design	00 - no factory heat with option code
W - WeatherKing	F - Front Return	T - Constant Torque	T - Constant Torque	36 - 36,000 [10.55 kW] 48 - 48,000 [14.07 kW] 60 - 60,000 [17.58 kW]	17 - 17.5" 21 - 21" 24 - 24.5"	M - Mid Eff. H - High Eff.				J - 1ph, 208-240/60 D - 3ph, 480/60		

[] Designates Metric Conversions

Electrical and Physical Data

Physical Data								
Model No.	WA1418A	WA1424B	WA1430B	WA1436A	WA1436B	WA1442B	WA1448B	WA1460A
Nominal Tonnage	1.5	2.0	2.5	3.0	3.0	3.5	4.0	5.0
Valve Connections								
Liquid Line O.D. – in.	3/8	3/8	3/8	3/8	3/8	3/8	3/8	3/8
Suction Line O.D. – in.	5/8	3/4	3/4	3/4	3/4	7/8	7/8	7/8
Refrigerant (R410A) furnished oz.¹	82	89	98	116	122	128	146	228
Compressor Type	Scroll							
Outdoor Coil								
Net face area – Outer Coil	11.1	11.2	13.7	21.9	18.3	18.3	21.9	21.9
Net face area – Inner Coil	—	—	—	—	—	—	—	—
Tube diameter – in.	0.375	3/8	3/8	3/8	3/8	3/8	3/8	3/8
Number of rows	1	1	1	1	1	1	1	2
Fins per inch	22	22	22	22	22	22	22	22
Outdoor Fan								
Diameter – in.	18	18	22	24	22	22	24	24
Number of blades	2	2	2	3	2	3	3	3
Motor hp	1/10	1/10	1/8	1/5	1/5	1/4	1/5	1/3
CFM	1697	2105	2121	3431	2702	3174	3571	3360
RPM	1100	1075	1075	850	819	1075	850	1085
watts	108	148	155	200	149	250	235	311
Shipping weight – lbs.	135	131.5	144.5	201	166	184	225	274
Operating weight – lbs.	128	124.5	137.5	194	159	176	205	254
Electrical Data								
Line Voltage Data (Volts-Phase-Hz)	208/230-1-60	208/230-1-60	208/230-1-60	208/230-1-60	208/230-1-60	208/230-1-60	208/230-1-60	208/230-1-60
Maximum overcurrent protection (amps)²	20	25	25	30	30	35	45	60
Minimum circuit ampacity³	13	15	17	19	19	23	26	35
Compressor								
Rated load amps	9.7	11.2	12.8	14.1	14.1	16.7	19.9	26.4
Locked rotor amps	46	60.8	64	78	77	109	109	134
Condenser Fan Motor								
Full load amps	0.5	0.6	0.7	1	1.2	1.3	1	1.7
Locked rotor amps	1.3	1.3	1.2	2.4	2	2.5	2.3	3.2

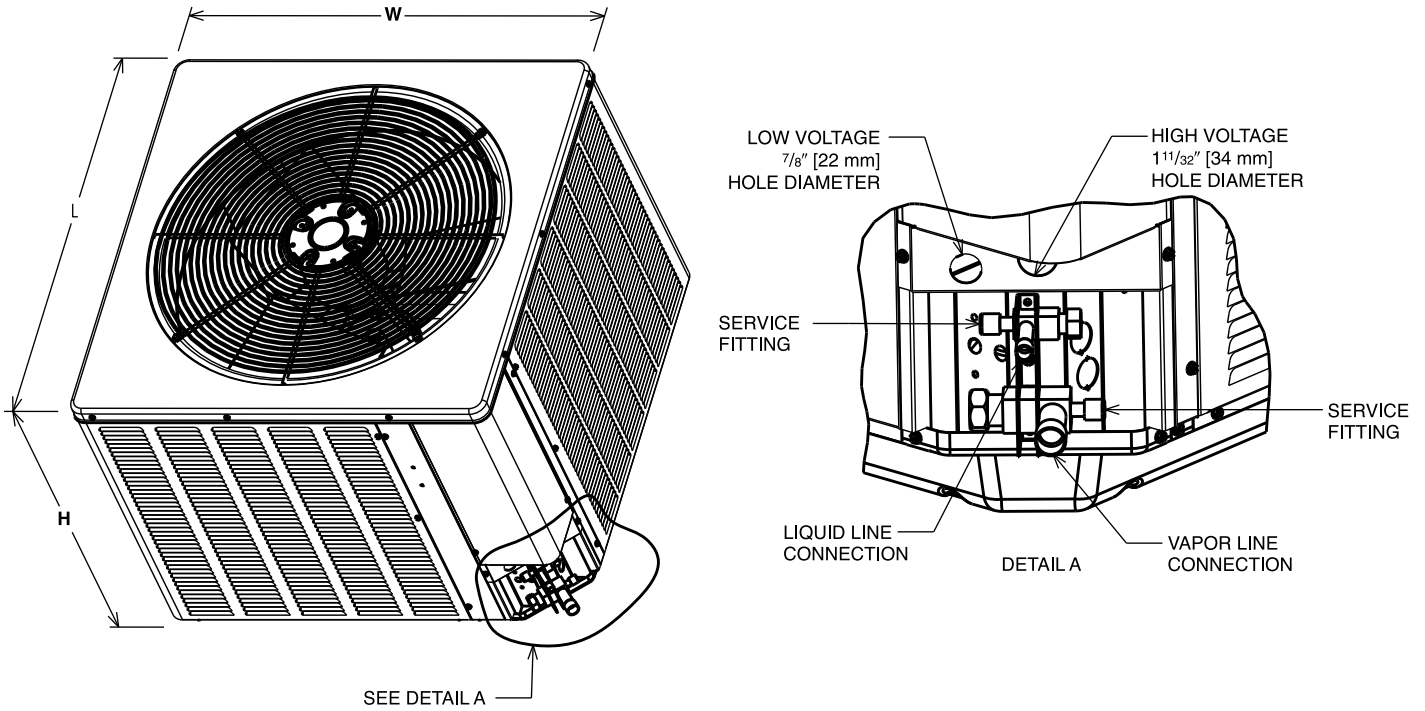
¹Refrigerant charge sufficient for 15 ft. length of refrigerant lines. For longer line set requirements see the installation instructions for information about set length and additional refrigerant charge required.

²HACR type circuit breaker or fuse.

³Refer to National Electrical Code manual to determine wire, fuse and disconnect size requirements.

Unit Dimensions

MODEL NUMBER	OPERATING						SHIPPING					
	H (Height)		L (Length)		W (Width)		H (Height)		L (Length)		W (Width)	
	INCHES	mm	INCHES	mm	INCHES	mm	INCHES	mm	INCHES	mm	INCHES	mm
WA1418A	24.25	615	23.63	600	23.63	600	24.25	615	24.75	628	24.75	628
WA1424B	32.25	819	23.63	600	23.63	600	32.50	825	24.75	628	24.75	628
WA1430B	24.25	615	27.63	701	27.63	701	24.25	615	28.75	730	28.75	730
WA1436A	35.38	898	31.63	803	31.63	803	35.56	903	33.94	862	33.94	862
WA1436B	32.25	819	27.63	701	27.63	701	32.50	825	28.75	730	28.75	730
WA1442B	32.25	819	27.63	701	27.63	701	32.50	825	28.75	730	28.75	730
WA1448B	35.38	899	31.63	803	31.63	803	35.56	903	33.94	862	33.94	862
WA1460A	35.38	899	31.63	803	31.63	803	35.56	903	33.94	862	33.94	862



NOTE: Illustrations show the deep drawn basepan.

Condensing Unit Refrigerant Line Size Information

R-410A System Capacity Model	Liquid Line Connection Size (Inch I.D.) [mm]	Liquid Line Size (Inch O.D.) [mm]	Liquid Line Size Elevation Below Indoor Coil Total Equivalent Length - Feet [m]																
			50 [15.24]	75 [22.86]	100 [30.48]	125 [45.72]	150 [45.72]	175 [53.34]	200 [60.96]	225 [68.58]	250 [76.20]	275 [83.82]	300 [91.44]	Maximum Vertical Separation – Feet [m]					
18A	3/8" [9.53]	1/4 [6.35]	25 [7.62]	N/R	N/R	N/R	45 [13.72]	30 [9.14]	20 [6.10]	5 [1.52]	N/R	N/R	N/R	N/R	N/R	N/R	N/R	N/R	
		5/16 [7.94]	25 [7.62]	50 [15.24]	65 [19.81]	55 [16.76]	85 [25.91]	80 [24.38]	75 [22.86]	70 [21.34]	65 [19.81]	60 [18.29]	55 [16.76]	55 [16.76]	55 [16.76]	55 [16.76]	55 [16.76]	55 [16.76]	
		3/8 [9.53]	25 [7.62]	50 [15.24]	75 [22.86]	85 [25.91]	85 [25.91]	85 [25.91]	85 [25.91]	85 [25.91]	85 [25.91]	85 [25.91]	85 [25.91]	85 [25.91]	85 [25.91]	85 [25.91]	85 [25.91]	85 [25.91]	85 [25.91]
		1/2 [12.71]	25 [7.62]	50 [15.24]	75 [22.86]	100 [30.48]	100 [30.48]	100 [30.48]	100 [30.48]	100 [30.48]	100 [30.48]	100 [30.48]	100 [30.48]	100 [30.48]	100 [30.48]	100 [30.48]	100 [30.48]	100 [30.48]	100 [30.48]
24B	3/8" [9.53]	1/4 [6.35]	15 [4.57]	N/R	N/R	N/R	N/R	N/R	N/R	N/R	N/R	N/R	N/R	N/R	N/R	N/R	N/R	N/R	
		5/16 [7.94]	25 [7.62]	50 [15.24]	35 [10.67]	15 [4.57]	70 [21.34]	70 [21.34]	70 [21.34]	70 [21.34]	70 [21.34]	70 [21.34]	70 [21.34]	70 [21.34]	70 [21.34]	70 [21.34]	70 [21.34]	70 [21.34]	
		3/8 [9.53]	25 [7.62]	50 [15.24]	75 [22.86]	95 [28.96]	95 [28.96]	95 [28.96]	95 [28.96]	95 [28.96]	95 [28.96]	95 [28.96]	95 [28.96]	95 [28.96]	95 [28.96]	95 [28.96]	95 [28.96]	95 [28.96]	95 [28.96]
		1/2 [12.71]	25 [7.62]	50 [15.24]	75 [22.86]	100 [30.48]	100 [30.48]	100 [30.48]	100 [30.48]	100 [30.48]	100 [30.48]	100 [30.48]	100 [30.48]	100 [30.48]	100 [30.48]	100 [30.48]	100 [30.48]	100 [30.48]	100 [30.48]
30B	3/8" [9.53]	5/16 [7.94]	25 [7.62]	35 [10.67]	5 [1.52]	N/R	N/R	N/R	N/R	N/R	N/R	N/R	N/R	N/R	N/R	N/R	N/R	N/R	
		3/8 [9.53]	25 [7.62]	50 [15.24]	65 [19.81]	55 [16.76]	85 [25.91]	85 [25.91]	85 [25.91]	85 [25.91]	85 [25.91]	85 [25.91]	85 [25.91]	85 [25.91]	85 [25.91]	85 [25.91]	85 [25.91]	85 [25.91]	
		1/2 [12.71]	25 [7.62]	50 [15.24]	75 [22.86]	90 [27.43]	90 [27.43]	90 [27.43]	90 [27.43]	90 [27.43]	90 [27.43]	90 [27.43]	90 [27.43]	90 [27.43]	90 [27.43]	90 [27.43]	90 [27.43]	90 [27.43]	90 [27.43]
		5/16 [7.94]	25 [7.62]	15 [4.57]	N/R	N/R	N/R	N/R	N/R	N/R	N/R	N/R	N/R	N/R	N/R	N/R	N/R	N/R	N/R
36A	3/8" [9.53]	3/8 [9.53]	25 [7.62]	50 [15.24]	55 [16.76]	40 [12.19]	25 [7.62]	10 [3.05]	N/R	N/R	N/R	N/R	N/R	N/R	N/R	N/R	N/R	N/R	
		1/2 [12.71]	25 [7.62]	50 [15.24]	75 [22.86]	90 [27.43]	90 [27.43]	90 [27.43]	90 [27.43]	90 [27.43]	90 [27.43]	90 [27.43]	90 [27.43]	90 [27.43]	90 [27.43]	90 [27.43]	90 [27.43]	90 [27.43]	
		5/16 [7.94]	25 [7.62]	15 [4.57]	N/R	N/R	N/R	N/R	N/R	N/R	N/R	N/R	N/R	N/R	N/R	N/R	N/R	N/R	N/R
		3/8 [9.53]	25 [7.62]	50 [15.24]	55 [16.76]	40 [12.19]	25 [7.62]	15 [4.57]	N/R	N/R	N/R	N/R	N/R	N/R	N/R	N/R	N/R	N/R	N/R
36B	3/8" [9.53]	5/16 [7.94]	25 [7.62]	15 [4.57]	N/R	N/R	N/R	N/R	N/R	N/R	N/R	N/R	N/R	N/R	N/R	N/R	N/R	N/R	
		3/8 [9.53]	25 [7.62]	50 [15.24]	55 [16.76]	40 [12.19]	25 [7.62]	15 [4.57]	N/R	N/R	N/R	N/R	N/R	N/R	N/R	N/R	N/R	N/R	
		1/2 [12.71]	25 [7.62]	50 [15.24]	75 [22.86]	90 [27.43]	90 [27.43]	90 [27.43]	90 [27.43]	90 [27.43]	90 [27.43]	90 [27.43]	90 [27.43]	90 [27.43]	90 [27.43]	90 [27.43]	90 [27.43]	90 [27.43]	
		5/16 [7.94]	25 [7.62]	15 [4.57]	N/R	N/R	N/R	N/R	N/R	N/R	N/R	N/R	N/R	N/R	N/R	N/R	N/R	N/R	N/R
42B	3/8" [9.53]	5/16 [7.94]	25 [7.62]	N/R	N/R	N/R	N/R	N/R	N/R	N/R	N/R	N/R	N/R	N/R	N/R	N/R	N/R	N/R	
		3/8 [9.53]	25 [7.62]	50 [15.24]	35 [10.67]	15 [4.57]	80 [24.38]	80 [24.38]	80 [24.38]	80 [24.38]	80 [24.38]	80 [24.38]	80 [24.38]	80 [24.38]	80 [24.38]	80 [24.38]	80 [24.38]	80 [24.38]	
		1/2 [12.71]	25 [7.62]	50 [15.24]	75 [22.86]	90 [27.43]	90 [27.43]	90 [27.43]	90 [27.43]	90 [27.43]	90 [27.43]	90 [27.43]	90 [27.43]	90 [27.43]	90 [27.43]	90 [27.43]	90 [27.43]	90 [27.43]	
		5/16 [7.94]	10 [3.05]	N/R	N/R	N/R	N/R	N/R	N/R	N/R	N/R	N/R	N/R	N/R	N/R	N/R	N/R	N/R	N/R
48B	3/8" [9.53]	3/8 [9.53]	25 [7.62]	35 [10.67]	10 [3.05]	N/R	N/R	N/R	N/R	N/R	N/R	N/R	N/R	N/R	N/R	N/R	N/R	N/R	
		1/2 [12.71]	25 [7.62]	50 [15.24]	70 [21.34]	65 [19.81]	65 [19.81]	65 [19.81]	65 [19.81]	65 [19.81]	65 [19.81]	65 [19.81]	65 [19.81]	65 [19.81]	65 [19.81]	65 [19.81]	65 [19.81]	65 [19.81]	
		3/8 [9.53]	25 [7.62]	20 [6.10]	N/R	N/R	N/R	N/R	N/R	N/R	N/R	N/R	N/R	N/R	N/R	N/R	N/R	N/R	
		1/2 [12.71]	25 [7.62]	50 [15.24]	70 [21.34]	65 [19.81]	65 [19.81]	65 [19.81]	65 [19.81]	65 [19.81]	65 [19.81]	65 [19.81]	65 [19.81]	65 [19.81]	65 [19.81]	65 [19.81]	65 [19.81]	65 [19.81]	
60A	3/8" [9.53]	3/8 [9.53]	25 [7.62]	20 [6.10]	N/R	N/R	N/R	N/R	N/R	N/R	N/R	N/R	N/R	N/R	N/R	N/R	N/R		
		1/2 [12.71]	25 [7.62]	50 [15.24]	70 [21.34]	60 [18.29]	60 [18.29]	60 [18.29]	60 [18.29]	60 [18.29]	60 [18.29]	60 [18.29]	60 [18.29]	60 [18.29]	60 [18.29]	60 [18.29]	60 [18.29]		

NOTES:

N/R = Application not recommended.

Grey = This application is acceptable, but the long line guidelines must be followed. Reference Long Line Set section in the I&O.

I] Designates Metric Conversions

Condensing Unit Refrigerant Line Size Information

R-410A System Capacity Model	Liquid Line Connection Size (Inch I.D.) [mm]	Liquid Line Size (Inch O.D.) [mm]	Liquid Line Size Elevation Above Indoor Coil											
			Total Equivalent Length - Feet [m]											
			25 [7.62]	50 [15.24]	75 [22.86]	100 [30.48]	125 [45.72]	150 [45.72]	175 [53.34]	200 [60.96]	225 [68.58]	250 [76.20]	275 [83.82]	300 [91.44]
18A	3/8" [9.53]	1/4 [6.35]	25 [7.62]	50 [15.24]	75 [22.86]	100 [30.48]	125 [38.10]	150 [38.10]	115 [35.05]	100 [30.48]	85 [25.91]	70 [21.34]	55 [16.76]	40 [12.19]
		5/16 [7.94]	25 [7.62]	50 [15.24]	75 [22.86]	100 [30.48]	125 [38.10]	150 [45.72]	175 [53.34]	185 [56.39]	180 [54.86]	175 [53.34]	175 [53.34]	170 [51.82]
		3/8 [9.53]	25 [7.62]	50 [15.24]	75 [22.86]	100 [30.48]	125 [38.10]	150 [45.72]	175 [53.34]	200 [60.96]	200 [60.96]	200 [60.96]	200 [60.96]	200 [60.96]
		1/2 [12.71]	25 [7.62]	50 [15.24]	75 [22.86]	100 [30.48]	125 [38.10]	150 [45.72]	175 [53.34]	200 [60.96]	200 [60.96]	200 [60.96]	200 [60.96]	200 [60.96]
		1/4 [6.35]	25 [7.62]	50 [15.24]	75 [22.86]	100 [30.48]	80 [24.38]	55 [16.76]	25 [7.62]	N/R	N/R	N/R	N/R	N/R
24B	3/8" [9.53]	5/16 [7.94]	25 [7.62]	50 [15.24]	75 [22.86]	100 [30.48]	125 [38.10]	150 [45.72]	165 [50.29]	160 [48.77]	150 [45.72]	145 [44.20]	140 [42.67]	130 [39.62]
		3/8 [9.53]	25 [7.62]	50 [15.24]	75 [22.86]	100 [30.48]	125 [38.10]	150 [45.72]	175 [53.34]	195 [59.44]	190 [57.91]	185 [56.39]	185 [56.39]	
		1/2 [12.71]	25 [7.62]	50 [15.24]	75 [22.86]	100 [30.48]	125 [38.10]	150 [45.72]	175 [53.34]	200 [60.96]	200 [60.96]	200 [60.96]	200 [60.96]	
		1/4 [6.35]	25 [7.62]	50 [15.24]	75 [22.86]	100 [30.48]	60 [18.29]	25 [7.62]	N/R	N/R	N/R	N/R	N/R	N/R
		5/16 [7.94]	25 [7.62]	50 [15.24]	75 [22.86]	100 [30.48]	125 [38.10]	150 [45.72]	145 [44.20]	135 [41.15]	125 [38.10]	115 [35.05]	105 [32.00]	95 [28.96]
30B	3/8" [9.53]	3/8 [9.53]	25 [7.62]	50 [15.24]	75 [22.86]	100 [30.48]	125 [38.10]	150 [45.72]	175 [53.34]	185 [56.39]	180 [54.86]	175 [53.34]	175 [53.34]	170 [51.82]
		1/2 [12.71]	25 [7.62]	50 [15.24]	75 [22.86]	100 [30.48]	125 [38.10]	150 [45.72]	175 [53.34]	200 [60.96]	200 [60.96]	200 [60.96]	200 [60.96]	
		1/4 [6.35]	25 [7.62]	50 [15.24]	75 [22.86]	100 [30.48]	125 [38.10]	150 [45.72]	175 [53.34]	200 [60.96]	200 [60.96]	200 [60.96]	200 [60.96]	
		5/16 [7.94]	25 [7.62]	50 [15.24]	75 [22.86]	100 [30.48]	125 [38.10]	150 [45.72]	175 [53.34]	200 [60.96]	200 [60.96]	200 [60.96]	200 [60.96]	
		3/8 [9.53]	25 [7.62]	50 [15.24]	75 [22.86]	100 [30.48]	125 [38.10]	150 [45.72]	175 [53.34]	200 [60.96]	200 [60.96]	200 [60.96]	200 [60.96]	
36A	3/8" [9.53]	1/2 [12.71]	25 [7.62]	50 [15.24]	75 [22.86]	100 [30.48]	125 [38.10]	150 [45.72]	175 [53.34]	200 [60.96]	200 [60.96]	200 [60.96]	200 [60.96]	
		1/4 [6.35]	25 [7.62]	50 [15.24]	75 [22.86]	100 [30.48]	125 [38.10]	150 [45.72]	175 [53.34]	200 [60.96]	200 [60.96]	200 [60.96]		
		5/16 [7.94]	25 [7.62]	50 [15.24]	75 [22.86]	100 [30.48]	125 [38.10]	150 [45.72]	175 [53.34]	200 [60.96]	200 [60.96]	200 [60.96]		
		3/8 [9.53]	25 [7.62]	50 [15.24]	75 [22.86]	100 [30.48]	125 [38.10]	150 [45.72]	175 [53.34]	200 [60.96]	200 [60.96]	200 [60.96]		
		1/2 [12.71]	25 [7.62]	50 [15.24]	75 [22.86]	100 [30.48]	125 [38.10]	150 [45.72]	175 [53.34]	200 [60.96]	200 [60.96]	200 [60.96]		
36B	3/8" [9.53]	1/4 [6.35]	25 [7.62]	50 [15.24]	60 [18.29]	10 [3.05]	N/R	N/R	N/R	N/R	N/R	N/R	N/R	
		5/16 [7.94]	25 [7.62]	50 [15.24]	75 [22.86]	100 [30.48]	125 [38.10]	135 [41.15]	120 [36.58]	110 [33.53]	95 [28.96]	85 [25.91]	70 [21.34]	
		3/8 [9.53]	25 [7.62]	50 [15.24]	75 [22.86]	100 [30.48]	125 [38.10]	150 [45.72]	175 [53.34]	175 [53.34]	170 [51.82]	160 [48.77]	155 [47.24]	
		1/2 [12.71]	25 [7.62]	50 [15.24]	75 [22.86]	100 [30.48]	125 [38.10]	150 [45.72]	175 [53.34]	200 [60.96]	200 [60.96]	200 [60.96]	200 [60.96]	
		1/4 [6.35]	25 [7.62]	50 [15.24]	75 [22.86]	100 [30.48]	125 [38.10]	150 [45.72]	175 [53.34]	200 [60.96]	200 [60.96]	200 [60.96]	200 [60.96]	
42B	3/8" [9.53]	1/4 [6.35]	25 [7.62]	50 [15.24]	N/R	N/R	N/R	N/R	N/R	N/R	N/R	N/R	N/R	
		5/16 [7.94]	25 [7.62]	50 [15.24]	75 [22.86]	100 [30.48]	120 [36.58]	100 [30.48]	80 [24.38]	65 [19.81]	45 [13.72]	30 [9.14]	10 [3.05]	
		3/8 [9.53]	25 [7.62]	50 [15.24]	75 [22.86]	100 [30.48]	125 [38.10]	150 [45.72]	165 [50.29]	160 [48.77]	155 [47.24]	145 [44.20]	140 [42.67]	
		1/2 [12.71]	25 [7.62]	50 [15.24]	75 [22.86]	100 [30.48]	125 [38.10]	150 [45.72]	175 [53.34]	200 [60.96]	200 [60.96]	200 [60.96]	200 [60.96]	
		1/4 [6.35]	25 [7.62]	50 [15.24]	75 [22.86]	100 [30.48]	125 [38.10]	150 [45.72]	175 [53.34]	200 [60.96]	200 [60.96]	200 [60.96]	200 [60.96]	
48B	3/8" [9.53]	1/4 [6.35]	25 [7.62]	50 [15.24]	15 [4.57]	N/R	N/R	N/R	N/R	N/R	N/R	N/R	N/R	
		5/16 [7.94]	25 [7.62]	50 [15.24]	75 [22.86]	100 [30.48]	85 [25.91]	60 [18.29]	40 [12.19]	15 [4.57]	N/R	N/R	N/R	
		3/8 [9.53]	25 [7.62]	50 [15.24]	75 [22.86]	100 [30.48]	125 [38.10]	150 [45.72]	140 [42.67]	135 [41.15]	125 [38.10]	120 [36.58]	110 [33.53]	
		1/2 [12.71]	25 [7.62]	50 [15.24]	75 [22.86]	100 [30.48]	125 [38.10]	150 [45.72]	175 [53.34]	185 [56.39]	180 [54.86]	180 [54.86]	175 [53.34]	
		1/4 [6.35]	25 [7.62]	N/R	N/R	N/R	N/R	N/R	N/R	N/R	N/R	N/R	N/R	N/R
60A	3/8" [9.53]	5/16 [7.94]	25 [7.62]	50 [15.24]	75 [22.86]	75 [22.86]	45 [13.72]	15 [4.57]	N/R	N/R	N/R	N/R	N/R	
		3/8 [9.53]	25 [7.62]	50 [15.24]	75 [22.86]	100 [30.48]	125 [38.10]	135 [41.15]	135 [41.15]	125 [38.10]	115 [35.05]	105 [32.00]	85 [25.91]	
		1/2 [12.71]	25 [7.62]	50 [15.24]	75 [22.86]	100 [30.48]	125 [38.10]	150 [45.72]	175 [53.34]	200 [60.96]	200 [60.96]	200 [60.96]		
		1/4 [6.35]	25 [7.62]	50 [15.24]	75 [22.86]	100 [30.48]	125 [38.10]	150 [45.72]	175 [53.34]	200 [60.96]	200 [60.96]	200 [60.96]		
		5/16 [7.94]	25 [7.62]	50 [15.24]	75 [22.86]	100 [30.48]	125 [38.10]	150 [45.72]	175 [53.34]	200 [60.96]	200 [60.96]	200 [60.96]		

NOTES:
 N/R = Application not recommended.
 Grey = This application is acceptable, but the long line guidelines must be followed. Reference Long Line Set section in the I&O.

[] Designates Metric Conversions

Condensing Unit Refrigerant Line Size Information

R-410A System Capacity Model	Vapor Line Connection Size (Inch I.D.) [mm]	Vapor Line Size (Inch O.D.) [mm]	Vapor Line Size Capacity Multiplier Table Elevation Below Indoor Coil Total Equivalent Length - Feet [m]														
			25 [7.62]	50 [15.24]	75 [22.86]	100 [30.48]	125 [45.72]	150 [45.72]	175 [53.34]	200 [60.96]	225 [68.58]	250 [76.20]	275 [83.82]	300 [91.44]			
18A	3/4" [19.06]	5/8 [15.00]	1.00	0.99	0.99	0.99	0.98	0.98	0.97	0.97	0.97	0.97	0.97	0.97	0.97	0.96	0.96
			1.00	1.00	1.00	1.00	0.99	0.99	1.00	1.00	0.99	0.99	0.99	0.99	0.99	0.99	0.99
24B	3/4" [19.06]	5/8 [15.00]	1.00	0.99	0.98	0.98	0.97	0.96	0.96	0.95	0.95	0.95	0.95	0.95	0.94	0.94	0.93
			1.00	1.00	1.00	1.00	0.99	0.99	0.99	0.99	0.99	0.99	0.99	0.99	0.99	0.99	0.99
30B	3/4" [19.06]	5/8 [15.00]	0.99	0.99	0.99	0.99	0.96	0.96	0.95	0.94	0.94	0.94	0.94	0.94	N/R	N/R	N/R
			1.00	0.99	0.99	0.99	0.99	0.99	0.99	0.99	0.99	0.98	0.98	0.98	N/R	N/R	N/R
36A	3/4" [19.06]	7/8 [22.23]	0.99	1.01	1.01	1.00	1.01	1.01	1.00	1.00	1.00	1.00	1.00	1.00	N/R	N/R	N/R
			0.99	0.97	0.95	0.93	0.92	0.92	0.92	0.92	0.92	0.92	0.92	0.92	N/R	N/R	N/R
36B	3/4" [19.06]	7/8 [22.23]	1.00	0.99	0.99	0.98	0.97	0.96	0.96	0.96	0.96	0.96	0.96	0.96	N/R	N/R	N/R
			1.00	1.00	1.00	1.00	0.99	0.99	0.99	0.99	0.99	0.99	0.99	0.99	N/R	N/R	N/R
42B	7/8" [22.23]	1-1/8 [28.58]	1.01	1.01	1.01	1.01	1.01	1.01	1.01	1.01	1.01	1.01	1.01	1.01	N/R	N/R	N/R
			0.99	0.97	0.97	0.95	0.94	0.94	0.94	0.94	0.94	0.94	0.94	0.94	N/R	N/R	N/R
48B	7/8" [22.23]	7/8 [22.23]	1.00	1.00	1.00	1.00	0.99	0.98	0.98	0.97	0.97	0.97	0.97	0.97	N/R	N/R	N/R
			1.00	1.00	1.00	1.00	0.99	0.99	0.99	0.99	0.99	0.99	0.99	0.99	N/R	N/R	N/R
60A	7/8" [22.23]	1-1/8 [28.58]	0.97	0.96	0.94	0.93	N/R	N/R	N/R	N/R	N/R	N/R	N/R	N/R	N/R	N/R	N/R
			0.99	0.98	0.98	0.97	N/R	N/R	N/R	N/R	N/R	N/R	N/R	N/R	N/R	N/R	N/R

NOTES:
N/R = Application not recommended.
All calculations assume a 3/8" liquid line

[] Designates Metric Conversions

Condensing Unit Refrigerant Line Size Information

R-410A System Capacity Model	Vapor Line Connection Size (Inch I.D.) [mm]	Vapor Line Size (Inch O.D.) [mm]	Vapor Line Selection Chart Capacity Multiplier Table																
			Total Equivalent Length - Feet [m]																
			25 [7.62]	50 [15.24]	75 [22.86]	100 [30.48]	125 [45.72]	150 [45.72]	175 [53.34]	200 [60.96]	225 [68.58]	250 [76.20]	275 [83.82]	300 [91.44]					
18A	3/4" [19.06]	5/8 [15.00]	1.00	0.99	0.99	0.99	0.98	0.98	0.98	0.97	0.97	0.97	0.97	0.97	0.97	0.97	0.96	0.96	
			1.00	1.00	1.00	1.00	0.99	0.99	0.99	1.00	1.00	1.00	1.00	1.00	1.00	1.00	1.00	0.99	0.99
			1.00	0.99	0.98	0.98	0.97	0.96	0.96	0.96	0.95	0.95	0.95	0.95	0.95	0.95	0.95	0.94	0.93
24B	3/4" [19.06]	3/4 [19.05]	1.00	1.00	1.00	1.00	1.00	1.00	1.00	1.00	1.00	1.00	1.00	1.00	1.00	1.00	1.00	0.98	
			1.00	1.00	1.00	1.00	1.00	1.00	1.00	1.00	1.00	1.00	1.00	1.00	1.00	1.00	1.00	1.00	1.00
			0.99	0.99	0.99	0.99	0.99	0.99	0.99	0.99	0.99	0.99	0.99	0.99	0.99	0.99	0.99	0.99	0.99
30B	3/4" [19.06]	5/8 [15.00]	0.99	0.99	0.99	0.99	0.96	0.96	0.96	0.95	0.95	0.95	0.94	0.94	0.93	0.93	0.92	0.91	
			1.00	0.99	0.99	0.99	0.99	0.99	0.99	0.99	0.99	0.98	0.98	0.98	0.98	0.98	0.98	0.97	0.98
			0.99	1.01	1.01	1.01	1.01	1.01	1.01	1.01	1.01	1.01	1.01	1.01	1.01	1.01	1.00	1.00	1.00
36A	3/4" [19.06]	5/8 [15.00]	0.99	0.97	0.95	0.93	0.92	0.92	0.92	0.91	0.91	0.90	0.90	0.87	0.86	0.85	0.85	0.85	
			1.00	0.99	0.99	0.98	0.97	0.97	0.97	0.97	0.97	0.96	0.96	0.95	0.95	0.94	0.94	0.93	0.93
			1.00	1.00	1.00	1.00	1.00	1.00	1.00	1.00	1.00	1.00	1.00	1.00	1.00	1.00	1.00	1.00	1.00
36B	3/4" [19.06]	5/8 [15.00]	0.99	0.97	0.97	0.95	0.94	0.94	0.94	0.92	0.92	0.93	0.91	0.90	0.89	0.88	0.88	0.87	
			1.00	1.00	0.99	0.98	0.98	0.98	0.97	0.97	0.97	0.97	0.97	0.96	0.96	0.96	0.96	0.95	0.95
			1.00	1.00	1.00	1.00	1.00	1.00	1.00	1.00	1.00	1.00	1.00	1.00	1.00	1.00	1.00	1.00	0.98
42B	7/8" [22.23]	5/8 [15.00]	0.97	0.96	0.94	0.93	0.92	0.92	0.92	0.90	0.89	0.88	0.88	0.87	0.86	0.84	0.84	0.84	
			0.99	0.98	0.98	0.97	0.97	0.97	0.96	0.96	0.96	0.95	0.95	0.94	0.94	0.93	0.93	0.93	0.93
			1.00	0.99	0.99	0.99	0.98	0.98	0.98	0.98	0.98	0.98	0.98	0.98	0.97	0.97	0.97	0.97	0.96
48B	7/8" [22.23]	1-1/8 [28.58]	1.00	0.99	0.99	0.99	0.99	0.99	0.99	0.99	0.99	0.99	0.99	0.99	1.00	1.00	1.00	1.00	
			0.98	0.96	0.94	0.92	0.90	0.88	0.87	0.86	0.84	0.83	0.82	0.81	0.81	0.81	0.81	0.81	0.81
			0.99	0.98	0.98	0.98	0.97	0.96	0.95	0.95	0.95	0.94	0.94	0.94	0.94	0.93	0.92	0.92	0.92
60A	7/8" [22.23]	5/8 [15.00]	1.00	1.00	1.00	1.00	1.00	1.00	1.00	1.00	1.00	1.00	1.00	1.00	1.00	1.00	1.00	1.00	
			0.97	0.94	0.91	0.88	0.86	0.86	0.84	0.83	0.82	0.82	0.82	0.80	0.82	0.80	0.81	0.81	0.81
			0.99	0.98	0.97	0.95	0.95	0.95	0.93	0.92	0.91	0.90	0.90	0.90	0.90	0.89	0.89	0.88	0.88
		7/8 [22.23]	1.00	0.99	0.98	0.99	0.98	0.98	0.98	0.98	0.97	0.97	0.96	0.96	0.95	0.95	0.95	0.95	
		1-1/8 [28.58]	1.00	1.00	1.00	1.00	1.00	1.00	1.00	1.00	1.00	1.00	1.00	1.00	1.00	1.00	1.00	0.99	

NOTES:
N/R = Application not recommended.
All calculations assume a 3/8" liquid line

[J] Designates Metric Conversions

Performance Data @ AHRI Standard Conditions—Cooling

Note: Ratings contained in this document are subject to change. For up-to-date and expanded ratings, please visit the AHRI web site (www.ahridirectory.org).

High Sales Volume Tested Combination (HSVTC)							
Outdoor Unit	Indoor Coil or Air Handler	Total Capacity BTU/H [kW]	Net Sensible BTU/H [kW]	Net Latent BTU/H [kW]	SEER	EER	Indoor CFM [L/s]
WA1418AJ1	TCF2417STA+RXMD-C04	17100 [5.0]	13300 [3.9]	4700 [1.4]	14	11.5	600 [283.2]
WA1424BJ1	TCF2417MTA	22800 [6.7]	18000 [5.3]	6000 [1.8]	14	11.5	800 [377.6]
WA1430BJ1	TCF3617STA	28600 [8.4]	21700 [6.4]	6900 [2.0]	14	11.5	1000 [471.9]
WA1436AJ1	TCF3617STA+RXMD-C04	34600 [10.1]	25000 [7.3]	9600 [2.8]	14	11.5	1150 [542.7]
WA1436BJ1	TCF3621MTA	34200 [10.0]	24500 [7.2]	9700 [2.8]	14	11.5	1100 [519.1]
WA1442BJ1	TCF4821STA	40000 [11.7]	31000 [9.1]	10000 [2.9]	14	11.5	1400 [660.7]
WA1448BJ1	TCF4821STA+RXMD-C04	46000 [13.5]	34800 [10.2]	11200 [3.3]	14	11.5	1500 [707.9]
WA1460AJ1	TCFL-H*6024+RXMD-C04	57500 [16.9]	41000 [12.0]	18500 [5.4]	14	11.5	1600 [755.1]

Coil Only Ratings							
Outdoor Unit	Indoor Coil or Air Handler	Total Capacity BTU/H [kW]	Net Sensible BTU/H [kW]	Net Latent BTU/H [kW]	SEER	EER	Indoor CFM [L/s]
WA1424BJ1	TCF2417HTA	22800 [6.7]	17000 [5.0]	7000 [2.1]	14	11.5	800 [377.6]
	TCF2421MTA	22800 [6.7]	17000 [5.0]	7000 [2.1]	14	11.5	800 [377.6]
WA1430BJ1	TCF3621MTA	28600 [8.4]	22800 [6.7]	7200 [2.1]	14	11.5	1000 [471.9]
	TCF3621STA	28600 [8.4]	20500 [6.0]	8100 [2.4]	14	11.5	1000 [471.9]
	TCF3624MTA	28600 [8.4]	22800 [6.7]	7200 [2.1]	14	11.5	1000 [471.9]
WA1436AJ1	TCF3621MTA+RXMD-C04	36000 [10.6]	26000 [7.6]	10000 [2.9]	14	11.5	1200 [566.3]
	TCF3621STA+RXMD-C04	34600 [10.1]	23700 [6.9]	10900 [3.2]	14	11.5	1150 [542.7]
	TCF3624MTA+RXMD-C04	36000 [10.6]	26000 [7.6]	10000 [2.9]	14	11.5	1200 [566.3]
WA1436BJ1	TCF3621HTA	34200 [10.0]	23900 [7.0]	11500 [3.4]	14	11.5	1200 [566.3]
	TCF3624HTA	34200 [10.0]	24000 [7.0]	11600 [3.4]	14	11.5	1200 [566.3]
	TCF3624MTA	34200 [10.0]	24600 [7.2]	10800 [3.2]	14	11.5	1200 [566.3]
WA1442BJ1	TCF4821MTA	40000 [11.7]	30300 [8.9]	11700 [3.4]	14	11.5	1350 [637.1]
	TCF4824HTA	40000 [11.7]	31900 [9.3]	10100 [3.0]	14	11.5	1400 [660.7]
WA1448BJ1	TCF4821MTA+RXMD-C04	46000 [13.5]	33900 [9.9]	13100 [3.8]	14	11.5	1550 [731.5]
	TCF4824HTA+RXMD-C04	46000 [13.5]	34800 [10.2]	13200 [3.9]	14	11.5	1600 [755.1]
	TCF4824STA+RXMD-C04	44500 [13.0]	30800 [9.0]	13700 [4.0]	14	11.5	1375 [648.9]

[] Designates Metric Conversions

Performance Data @ AHRI Standard Conditions—Cooling (con't.)

Note: Ratings contained in this document are subject to change. For up-to-date and expanded ratings, please visit the AHRI web site (www.ahrirectory.org).

W801T: Single-Stage X-13 80% Furnace Ratings								
Outdoor Unit	Furnace	Indoor Coil	Total Capacity BTU/H [kW]	Net Sensible BTU/H [kW]	Net Latent BTU/H [kW]	SEER	EER	Indoor CFM [L/s]
WA1418AJ1	W801TA050314M	TCF2417STA	17100 [5.0]	13300 [3.9]	4700 [1.4]	16.0	13.0	625 [295.0]
WA1418AJ1	W801TA075317Z	TCF2417STA	17100 [5.0]	13300 [3.9]	4700 [1.4]	16.0	13.0	625 [295.0]
WA1424BJ1	W801TA050314M	TCF2417MTA	22800 [6.7]	18000 [5.3]	6000 [1.8]	15.1	12.5	850 [401.2]
WA1424BJ1	W801TA075317Z	TCF2417MTA	22800 [6.7]	17400 [5.1]	6400 [1.9]	15.1	12.5	650 [306.8]
		TCF2421MTA	22800 [6.7]	17400 [5.1]	6400 [1.9]	15.1	12.5	650 [306.8]
WA1430BJ1	W801TA075317Z	TCF3621MTA	28600 [8.4]	22800 [6.7]	7200 [2.1]	16.0	13.0	1050 [495.5]
		TCF3621STA	28600 [8.4]	21300 [6.2]	7300 [2.1]	15.1	12.5	875 [413.0]
WA1430BJ1	W801TA075417M	TCF3621MTA	28600 [8.4]	22800 [6.7]	7200 [2.1]	16.0	13.0	1025 [483.7]
		TCF3621STA	28600 [8.4]	22300 [6.5]	6900 [2.0]	15.1	12.5	1025 [483.7]
WA1430BJ1	W801TA075421M	TCF3621MTA	28600 [8.4]	22800 [6.7]	7200 [2.1]	16.0	13.0	1025 [483.7]
		TCF3621STA	28600 [8.4]	22300 [6.5]	6900 [2.0]	15.1	12.5	1000 [471.9]
		TCF3624MTA	28600 [8.4]	22800 [6.7]	7200 [2.1]	16.0	13.0	1025 [483.7]
WA1430BJ1	W801TA075521Z	TCF3621MTA	28600 [8.4]	22800 [6.7]	7200 [2.1]	16.0	13.0	975 [460.1]
		TCF3621STA	28600 [8.4]	22000 [6.4]	7000 [2.1]	15.1	12.5	975 [460.1]
		TCF3624MTA	28600 [8.4]	22800 [6.7]	7200 [2.1]	16.0	13.0	975 [460.1]
WA1430BJ1	W801TA100521M	TCF3621MTA	28600 [8.4]	22800 [6.7]	7200 [2.1]	16.0	13.0	1050 [495.5]
		TCF3621STA	28600 [8.4]	22000 [6.4]	7000 [2.1]	15.1	12.5	975 [460.1]
		TCF3624MTA	28600 [8.4]	22800 [6.7]	7200 [2.1]	16.0	13.0	1050 [495.5]
WA1430BJ1	W801TA100521Z	TCF3621MTA	28600 [8.4]	22800 [6.7]	7200 [2.1]	16.0	13.0	975 [460.1]
		TCF3621STA	28600 [8.4]	22000 [6.4]	7000 [2.1]	15.1	12.5	975 [460.1]
		TCF3624MTA	28600 [8.4]	22800 [6.7]	7200 [2.1]	16.0	13.0	975 [460.1]
WA1430BJ1	W801TA125524Z	TCF3624MTA	28600 [8.4]	22800 [6.7]	7200 [2.1]	16.0	13.0	925 [436.6]
WA1436BJ1	W801TA075317Z	TCF3621MTA	34200 [10.0]	25000 [7.3]	9800 [2.9]	15.1	12.5	1075 [507.3]
		TCF3621STA	34200 [10.0]	20300 [5.9]	11500 [3.4]	14.0	11.5	850 [401.2]
WA1436BJ1	W801TA075417M	TCF3621HTA	34200 [10.0]	25100 [7.4]	10900 [3.2]	15.1	12.5	1200 [566.3]
		TCF3621MTA	34200 [10.0]	25800 [7.6]	9400 [2.8]	15.1	12.5	1175 [554.5]
		TCF3621STA	34200 [10.0]	21600 [6.3]	11000 [3.2]	14.0	11.5	1000 [471.9]
WA1436BJ1	W801TA075421M	TCF3621HTA	34200 [10.0]	25700 [7.5]	10300 [3.0]	15.1	12.5	1250 [589.9]
		TCF3621MTA	34200 [10.0]	24600 [7.2]	10000 [2.9]	15.1	12.5	1025 [483.7]
		TCF3621STA	34200 [10.0]	21600 [6.3]	11000 [3.2]	14.0	11.5	1000 [471.9]
		TCF3624HTA	34200 [10.0]	24000 [7.0]	11600 [3.4]	16.0	13.0	1050 [495.5]
		TCF3624MTA	34200 [10.0]	24600 [7.2]	10000 [2.9]	15.1	12.5	1025 [483.7]
WA1436BJ1	W801TA075521Z	TCF3621MTA	34200 [10.0]	26200 [7.7]	9200 [2.7]	15.1	12.5	1225 [578.1]
		TCF3621STA	34200 [10.0]	21000 [6.2]	11200 [3.3]	14.0	11.5	950 [448.4]
		TCF3624HTA	34200 [10.0]	23600 [6.9]	11800 [3.5]	16.0	13.0	1025 [483.7]
		TCF3624MTA	34200 [10.0]	26200 [7.7]	9200 [2.7]	15.1	12.5	1225 [578.1]

[] Designates Metric Conversions

Performance Data @ AHRI Standard Conditions—Cooling (con't.)

Note: Ratings contained in this document are subject to change. For up-to-date and expanded ratings, please visit the AHRI web site (www.ahridirectory.org).

W801T: Single-Stage X-13 80% Furnace Ratings								
Outdoor Unit	Furnace	Indoor Coil	Total Capacity BTU/H [kW]	Net Sensible BTU/H [kW]	Net Latent BTU/H [kW]	SEER	EER	Indoor CFM [L/s]
WA1436BJ1	W801TA100521M	TCF3621HTA	34200 [10.0]	24100 [7.1]	11500 [3.4]	16.0	13.0	1075 [507.3]
		TCF3621MTA	34200 [10.0]	24600 [7.2]	10000 [2.9]	15.1	12.5	1050 [495.5]
		TCF3621STA	34200 [10.0]	21300 [6.2]	11100 [3.3]	14.0	11.5	975 [460.1]
		TCF3624HTA	34200 [10.0]	24500 [7.2]	11500 [3.4]	16.0	13.0	1100 [519.1]
		TCF3624MTA	34200 [10.0]	24600 [7.2]	10000 [2.9]	15.1	12.5	1050 [495.5]
WA1436BJ1	W801TA100521Z	TCF3621MTA	34200 [10.0]	24200 [7.1]	10200 [3.0]	15.1	12.5	975 [460.1]
		TCF3621STA	34200 [10.0]	21000 [6.2]	11200 [3.3]	14.0	11.5	950 [448.4]
		TCF3624HTA	34200 [10.0]	23600 [6.9]	11800 [3.5]	16.0	13.0	1025 [483.7]
		TCF3624MTA	34200 [10.0]	24200 [7.1]	10200 [3.0]	15.1	12.5	975 [460.1]
WA1436BJ1	W801TA125524M	TCF3624HTA	34200 [10.0]	25700 [7.5]	10300 [3.0]	16.0	13.0	1200 [566.3]
		TCF3624MTA	34200 [10.0]	25700 [7.5]	9500 [2.8]	15.1	12.5	1150 [542.7]
WA1436BJ1	W801TA125524Z	TCF3624HTA	34200 [10.0]	24700 [7.2]	11300 [3.3]	16.0	13.0	1125 [530.9]
		TCF3624MTA	34200 [10.0]	25100 [7.4]	9700 [2.8]	15.1	12.5	1100 [519.1]
WA1442BJ1	W801TA075317Z	TCF4821MTA	39000 [11.4]	29500 [8.6]	12500 [3.7]	14.0	11.5	1100 [519.1]
WA1442BJ1	W801TA075417M	TCF4821MTA	40000 [11.7]	29200 [8.6]	12800 [3.8]	14.0	11.5	1400 [660.7]
WA1442BJ1	W801TA075421M	TCF4821MTA	40000 [11.7]	29400 [8.6]	12600 [3.7]	15.0	12.0	1225 [578.1]
		TCF4824HTA	40000 [11.7]	31900 [9.3]	10100 [3.0]	15.1	12.5	1250 [589.9]
WA1442BJ1	W801TA075521Z	TCF4821MTA	40000 [11.7]	29400 [8.6]	12600 [3.7]	14.0	11.5	1250 [589.9]
		TCF4824HTA	40000 [11.7]	31900 [9.3]	10100 [3.0]	15.0	12.0	1250 [589.9]
WA1442BJ1	W801TA100521M	TCF4821MTA	40000 [11.7]	31900 [9.3]	10100 [3.0]	15.1	12.5	1350 [637.1]
		TCF4824HTA	40000 [11.7]	31900 [9.3]	10100 [3.0]	15.1	12.5	1450 [684.3]
WA1442BJ1	W801TA100521Z	TCF4821MTA	40000 [11.7]	29400 [8.6]	12600 [3.7]	14.0	11.5	1450 [684.3]
		TCF4824HTA	40000 [11.7]	31900 [9.3]	10100 [3.0]	15.1	12.5	1250 [589.9]
WA1442BJ1	W801TA125524M	TCF4824HTA	40000 [11.7]	31900 [9.3]	10100 [3.0]	15.1	12.5	1400 [660.7]
WA1442BJ1	W801TA125524Z	TCF4824HTA	39500 [11.6]	31900 [9.3]	10100 [3.0]	15.1	12.5	1125 [530.9]
WA1448BJ1	W801TA075421M	TCF4824STA	46000 [13.5]	34100 [10.0]	11900 [3.5]	14.0	11.5	1400 [660.7]
WA1448BJ1	W801TA075521Z	TCF4824STA	45000 [13.2]	32000 [9.4]	13000 [3.8]	14.0	11.5	1225 [578.1]
WA1448BJ1	W801TA100521M	TCF4824STA	46000 [13.5]	36400 [10.7]	10600 [3.1]	14.0	11.5	1600 [755.1]
WA1448BJ1	W801TA100521Z	TCF4824STA	46000 [13.5]	34100 [10.0]	11900 [3.5]	14.0	11.5	1400 [660.7]
WA1448BJ1	W801TA125524M	TCF4824STA	46000 [13.5]	36400 [10.7]	10600 [3.1]	14.0	11.5	1600 [755.1]
WA1448BJ1	W801TA125524Z	TCF4824STA	45500 [13.3]	33100 [9.7]	12400 [3.6]	14.0	11.5	1325 [625.3]
WA1460AJ1	W801TA075421M	TCFL-H*6024	57000 [16.7]	42000 [12.3]	18000 [5.3]	14.0	11.5	1675 [790.5]
WA1460AJ1	W801TA075521Z	TCFL-H*6024	57000 [16.7]	42200 [12.4]	17800 [5.2]	14.0	11.5	1700 [802.3]
WA1460AJ1	W801TA100521M	TCFL-H*6024	57000 [16.7]	41300 [12.1]	18700 [5.5]	14.0	11.5	1850 [873.1]
WA1460AJ1	W801TA100521Z	TCFL-H*6024	57000 [16.7]	42200 [12.4]	17800 [5.2]	14.0	11.5	1700 [802.3]
WA1460AJ1	W801TA125524M	TCFL-H*6024	57000 [16.7]	41300 [12.1]	18700 [5.5]	14.0	11.5	1775 [837.7]
WA1460AJ1	W801TA125524Z	TCFL-H*6024	57000 [16.7]	42000 [12.3]	18000 [5.3]	14.0	11.5	1675 [790.5]

[] Designates Metric Conversions

Performance Data @ AHRI Standard Conditions—Cooling (con't.)

Note: Ratings contained in this document are subject to change. For up-to-date and expanded ratings, please visit the AHRI web site (www.ahridirectory.org).

W95T: 95% AFUE single-stage Constant Torque Multipoise Gas Furnace Ratings								
Outdoor Unit	Furnace	Indoor Coil	Total Capacity BTU/H [kW]	Net Sensible BTU/H [kW]	Net Latent BTU/H [kW]	SEER	EER	Indoor CFM [L/s]
WA1418AJ1	W95TC0401317M	TCF2417STA	17100 [5.0]	13300 [3.9]	4700 [1.4]	15.1	12.5	625 [295.0]
WA1418AJ1	W95TC0601317M	TCF2417STA	17100 [5.0]	13300 [3.9]	4700 [1.4]	15.1	12.5	600 [283.2]
WA1424BJ1	W95TC0401317M	TCF2417MTA	22800 [6.7]	18000 [5.3]	6000 [1.8]	15.1	12.5	850 [401.2]
		TCF2421MTA	22800 [6.7]	18000 [5.3]	6000 [1.8]	15.1	12.5	850 [401.2]
WA1424BJ1	W95TC0601317M	TCF2417MTA	22800 [6.7]	18000 [5.3]	6000 [1.8]	15.1	12.5	850 [401.2]
		TCF2421MTA	22800 [6.7]	18000 [5.3]	6000 [1.8]	15.1	12.5	850 [401.2]
WA1424BJ1	W95TC0701317M	TCF2417MTA	22800 [6.7]	18000 [5.3]	6000 [1.8]	15.1	12.5	850 [401.2]
		TCF2421MTA	22800 [6.7]	18000 [5.3]	6000 [1.8]	15.1	12.5	850 [401.2]
WA1430BJ1	W95TC0401317M	TCF3621MTA	28600 [8.4]	22800 [6.7]	7200 [2.1]	16.0	13.0	975 [460.1]
		TCF3621STA	28600 [8.4]	21800 [6.4]	7000 [2.1]	15.1	12.5	975 [460.1]
WA1430BJ1	W95TC0601317M	TCF3621MTA	28600 [8.4]	22800 [6.7]	7200 [2.1]	16.0	13.0	925 [436.6]
		TCF3621STA	28600 [8.4]	21400 [6.3]	7200 [2.1]	15.1	12.5	925 [436.6]
WA1430BJ1	W95TC0701317M	TCF3621MTA	28600 [8.4]	22800 [6.7]	7200 [2.1]	16.0	13.0	950 [448.4]
		TCF3621STA	28600 [8.4]	21800 [6.4]	7000 [2.1]	15.1	12.5	950 [448.4]
WA1436BJ1	W95TC0401317M	TCF3621HTA	34200 [10.0]	24000 [7.0]	11400 [3.3]	15.1	12.5	1100 [519.1]
		TCF3621MTA	34200 [10.0]	24000 [7.0]	10200 [3.0]	15.0	12.0	975 [460.1]
		TCF3621STA	34200 [10.0]	21800 [6.4]	10800 [3.2]	14.0	11.5	1050 [495.5]
WA1436BJ1	W95TC0601317M	TCF3621HTA	34200 [10.0]	22600 [6.6]	12000 [3.5]	15.1	12.5	950 [448.4]
		TCF3621MTA	34200 [10.0]	23400 [6.9]	10400 [3.0]	15.0	12.0	925 [436.6]
		TCF3621STA	34200 [10.0]	20400 [6.0]	11400 [3.3]	14.0	11.5	900 [424.8]
WA1436BJ1	W95TC0701317M	TCF3621HTA	34200 [10.0]	23800 [7.0]	11400 [3.3]	15.1	12.5	1075 [507.3]
		TCF3621MTA	34200 [10.0]	23700 [6.9]	10300 [3.0]	15.0	12.0	950 [448.4]
		TCF3621STA	34200 [10.0]	20700 [6.1]	11300 [3.3]	14.0	11.5	925 [436.6]
WA1436BJ1	W95TC0851521M	TCF3621HTA	34200 [10.0]	25300 [7.4]	10700 [3.1]	15.1	12.5	1250 [589.9]
		TCF3621MTA	34200 [10.0]	26000 [7.6]	9200 [2.7]	14.0	11.5	1225 [578.1]
		TCF3624HTA	34200 [10.0]	25700 [7.5]	10300 [3.0]	15.1	12.5	1275 [601.7]
		TCF3624MTA	34200 [10.0]	26000 [7.6]	9200 [2.7]	14.0	11.5	1225 [578.1]
WA1442BJ1	W95TC0401317M	TCF4821MTA	39000 [11.4]	28800 [8.4]	12700 [3.7]	14.0	11.5	1100 [519.1]
WA1442BJ1	W95TC0601317M	TCF4821MTA	39500 [11.6]	29000 [8.5]	12500 [3.7]	14.0	11.5	1275 [601.7]
WA1442BJ1	W95TC0701317M	TCF4821MTA	39500 [11.6]	28700 [8.4]	12800 [3.8]	14.0	11.5	1275 [601.7]
WA1442BJ1	W95TC0851521M	TCF4821MTA	40000 [11.7]	29500 [8.6]	12500 [3.7]	14.0	11.5	1250 [589.9]
		TCF4824HTA	40000 [11.7]	31900 [9.3]	10100 [3.0]	14.0	11.5	1275 [601.7]
WA1442BJ1	W95TC1001521M	TCF4821MTA	40000 [11.7]	31900 [9.3]	10100 [3.0]	14.0	11.5	1450 [684.3]
		TCF4824HTA	40000 [11.7]	31900 [9.3]	10100 [3.0]	14.0	11.5	1475 [696.1]
WA1442BJ1	W95TC1151524M	TCF4824HTA	40000 [11.7]	31900 [9.3]	10100 [3.0]	14.0	11.5	1475 [696.1]
WA1448BJ1	W95TC0851521M	TCF4824HTA	46000 [13.5]	31800 [9.3]	14700 [4.3]	15.1	12.5	1250 [589.9]
		TCF4824STA	45000 [13.2]	31900 [9.3]	13100 [3.8]	14.0	11.5	1225 [578.1]
WA1448BJ1	W95TC1001521M	TCF4824HTA	46000 [13.5]	35400 [10.4]	12600 [3.7]	14.0	11.5	1575 [743.3]
		TCF4824STA	45500 [13.3]	33600 [9.8]	11900 [3.5]	14.0	11.5	1400 [660.7]
WA1448BJ1	W95TC1151524M	TCF4824HTA	46000 [13.5]	34300 [10.1]	13200 [3.9]	15.1	12.5	1475 [696.1]
		TCF4824STA	45500 [13.3]	33000 [9.7]	12500 [3.7]	14.0	11.5	1300 [613.5]
WA1460AJ1	W95TC0851521M	TCFL-H*6024	57000 [16.7]	40600 [11.9]	18900 [5.5]	14.0	11.5	1550 [731.5]
WA1460AJ1	W95TC1001521M	TCFL-H*6024	57000 [16.7]	40800 [12.0]	18700 [5.5]	14.0	11.5	1600 [755.1]
WA1460AJ1	W95TC1151524M	TCFL-H*6024	57000 [16.7]	40700 [11.9]	18800 [5.5]	14.0	11.5	1575 [743.3]

[] Designates Metric Conversions

Performance Data @ AHRI Standard Conditions—Cooling (con't.)

Note: Ratings contained in this document are subject to change. For up-to-date and expanded ratings, please visit the AHRI web site (www.ahridirectory.org).

W96TA Ratings								
Outdoor Unit	Furnace	Indoor Coil	Total Capacity BTU/H [kW]	Net Sensible BTU/H [kW]	Net Latent BTU/H [kW]	SEER	EER	Indoor CFM [L/s]
WA1418AJ1	W96TA0402317M	TCF2417STA	17100 [5.0]	13300 [3.9]	4700 [1.4]	15.1	12.5	625 [295.0]
WA1424BJ1	W96TA0402317M	TCF2417MTA	22800 [6.7]	18000 [5.3]	6000 [1.8]	15.1	12.5	775 [365.8]
		TCF2421MTA	22800 [6.7]	18000 [5.3]	6000 [1.8]	15.1	12.5	775 [365.8]
WA1424BJ1	W96TA0702317M	TCF2417MTA	22800 [6.7]	18000 [5.3]	6000 [1.8]	15.1	12.5	850 [401.2]
		TCF2421MTA	22800 [6.7]	18000 [5.3]	6000 [1.8]	15.1	12.5	850 [401.2]
WA1430BJ1	W96TA0402317M	TCF3617STA	28600 [8.4]	21400 [6.3]	7200 [2.1]	15.1	12.5	900 [424.8]
		TCF3621HTA	28600 [8.4]	22800 [6.7]	7200 [2.1]	16.0	13.0	1050 [495.5]
		TCF3621MTA	28600 [8.4]	22800 [6.7]	7200 [2.1]	16.0	13.0	900 [424.8]
		TCF3621STA	28600 [8.4]	21400 [6.3]	7200 [2.1]	15.1	12.5	900 [424.8]
WA1430BJ1	W96TA0702317M	TCF3621MTA	28600 [8.4]	22800 [6.7]	7200 [2.1]	16.0	13.0	975 [460.1]
		TCF3621STA	28600 [8.4]	21000 [6.2]	7400 [2.2]	15.1	13.0	850 [401.2]
WA1430BJ1	W96TA0852521M	TCF3621MTA	28600 [8.4]	22800 [6.7]	7200 [2.1]	16.0	13.0	1050 [495.5]
		TCF3621STA	28600 [8.4]	22600 [6.6]	6600 [1.9]	15.0	12.0	1050 [495.5]
		TCF3624MTA	28600 [8.4]	22800 [6.7]	7200 [2.1]	16.0	13.0	1050 [495.5]
WA1430BJ1	W96TA1002521M	TCF3621MTA	28600 [8.4]	22800 [6.7]	7200 [2.1]	16.0	13.0	1050 [495.5]
		TCF3621STA	28600 [8.4]	22600 [6.6]	6600 [1.9]	15.0	12.0	1050 [495.5]
		TCF3624MTA	28600 [8.4]	22800 [6.7]	7200 [2.1]	16.0	13.0	1050 [495.5]
WA1430BJ1	W96TA1152524M	TCF3624MTA	28600 [8.4]	22800 [6.7]	7200 [2.1]	16.0	13.0	1050 [495.5]
WA1436BJ1	W96TA0402317M	TCF3621HTA	34200 [10.0]	23500 [6.9]	11500 [3.4]	15.1	12.5	1050 [495.5]
		TCF3621MTA	34200 [10.0]	24400 [7.2]	10000 [2.9]	14.0	11.5	1050 [495.5]
		TCF3621STA	34200 [10.0]	21400 [6.3]	11000 [3.2]	14.0	11.5	1000 [471.9]
WA1436BJ1	W96TA0702317M	TCF3621HTA	34200 [10.0]	24100 [7.1]	11300 [3.3]	15.1	12.5	1125 [530.9]
		TCF3621MTA	34200 [10.0]	23700 [6.9]	10300 [3.0]	15.1	12.5	975 [460.1]
		TCF3621STA	34200 [10.0]	21800 [6.4]	10800 [3.2]	14.0	11.5	1050 [495.5]
WA1436BJ1	W96TA0852521M	TCF3621HTA	34200 [10.0]	25400 [7.4]	10600 [3.1]	15.1	12.5	1250 [589.9]
		TCF3621MTA	34200 [10.0]	24900 [7.3]	9900 [2.9]	15.0	12.0	1075 [507.3]
		TCF3621STA	34200 [10.0]	21700 [6.4]	10900 [3.2]	14.0	11.5	1025 [483.7]
		TCF3624HTA	34200 [10.0]	24400 [7.2]	11400 [3.3]	15.1	12.5	1100 [519.1]
		TCF3624MTA	34200 [10.0]	24900 [7.3]	9900 [2.9]	15.0	12.0	1075 [507.3]

[] Designates Metric Conversions

Performance Data @ AHRI Standard Conditions—Cooling (con't.)

Note: Ratings contained in this document are subject to change. For up-to-date and expanded ratings, please visit the AHRI web site (www.ahridirectory.org).

W96TA Ratings								
Outdoor Unit	Furnace	Indoor Coil	Total Capacity BTU/H [kW]	Net Sensible BTU/H [kW]	Net Latent BTU/H [kW]	SEER	EER	Indoor CFM [L/s]
WA1436BJ1	W96TA1002521M	TCF3621HTA	34200 [10.0]	25300 [7.4]	10700 [3.1]	15.1	12.5	1250 [589.9]
		TCF3621MTA	34200 [10.0]	25000 [7.3]	9800 [2.9]	15.1	12.5	1100 [519.1]
		TCF3621STA	34200 [10.0]	21800 [6.4]	10800 [3.2]	14.0	11.5	1050 [495.5]
		TCF3624HTA	34200 [10.0]	24500 [7.2]	11300 [3.3]	15.1	12.5	1125 [530.9]
		TCF3624MTA	34200 [10.0]	25000 [7.3]	9800 [2.9]	15.1	12.5	1100 [519.1]
WA1436BJ1	W96TA1152524M	TCF3624HTA	34200 [10.0]	25700 [7.5]	10300 [3.0]	15.1	12.5	1275 [601.7]
		TCF3624MTA	34200 [10.0]	25100 [7.4]	9700 [2.8]	15.1	12.5	1125 [530.9]
WA1442BJ1	W96TA0402317M	TCF4821MTA	40000 [11.7]	29200 [8.6]	12300 [3.6]	14.0	11.5	1200 [566.3]
WA1442BJ1	W96TA0702317M	TCF4821MTA	40000 [11.7]	28900 [8.5]	12600 [3.7]	14.0	11.5	1125 [530.9]
WA1442BJ1	W96TA0852521M	TCF4821MTA	40000 [11.7]	29500 [8.6]	12500 [3.7]	14.0	11.5	1250 [589.9]
		TCF4824HTA	40000 [11.7]	31900 [9.3]	10100 [3.0]	15.1	12.5	1275 [601.7]
WA1442BJ1	W96TA1002521M	TCF4821MTA	40000 [11.7]	28200 [8.3]	13300 [3.9]	15.0	12.5	1250 [589.9]
		TCF4824HTA	40000 [11.7]	31900 [9.3]	10100 [3.0]	15.1	12.5	1275 [601.7]
WA1442BJ1	W96TA1152524M	TCF4824HTA	40000 [11.7]	28800 [8.4]	13200 [3.9]	15.1	12.5	1150 [542.7]
WA1448BJ1	W96TA0852521M	TCF4824HTA	46000 [13.5]	31800 [9.3]	14700 [4.3]	15.1	12.5	1250 [589.9]
		TCF4824STA	45000 [13.2]	32000 [9.4]	13000 [3.8]	14.0	11.5	1225 [578.1]
WA1448BJ1	W96TA1002521M	TCF4824HTA	46000 [13.5]	31800 [9.3]	14700 [4.3]	15.1	12.5	1250 [589.9]
		TCF4824STA	45000 [13.2]	31900 [9.3]	13100 [3.8]	14.0	11.5	1200 [566.3]
WA1448BJ1	W96TA1152524M	TCF4824HTA	46000 [13.5]	33800 [9.9]	13700 [4.0]	15.1	12.5	1400 [660.7]
		TCF4824STA	45000 [13.2]	32100 [9.4]	12900 [3.8]	14.0	11.5	1250 [589.9]
WA1460AJ1	W96TA0852521M	TCFL-H*6024	57000 [16.7]	40700 [11.9]	18800 [5.5]	14.0	11.5	1575 [743.3]
WA1460AJ1	W96TA1002521M	TCFL-H*6024	57000 [16.7]	40700 [11.9]	18800 [5.5]	14.0	11.5	1600 [755.1]
WA1460AJ1	W96TA1152524M	TCFL-H*6024	57000 [16.7]	41000 [12.0]	18500 [5.4]	14.0	11.5	1625 [766.9]

[] Designates Metric Conversions

Performance Data @ AHRI Standard Conditions—Cooling (con't.)

Note: Ratings contained in this document are subject to change. For up-to-date and expanded ratings, please visit the AHRI web site (www.ahridirectory.org).

Air Handler Ratings							
Outdoor Unit	Indoor Coil or Air Handler	Total Capacity BTU/H [kW]	Net Sensible BTU/H [kW]	Net Latent BTU/H [kW]	SEER	EER	Indoor CFM [L/s]
WA1418AJ1	WBHP-17	17100 [5.0]	13300 [3.9]	4700 [1.4]	16.0	13.0	600 [283.2]
	WH1P1817STAN	17100 [5.0]	13300 [3.9]	4700 [1.4]	14.0	11.5	600 [283.2]
	WH1T2417STAN	17100 [5.0]	13300 [3.9]	4700 [1.4]	16.0	13.0	600 [283.2]
WA1424BJ1	RF1T2421MTAN	22800 [6.7]	18000 [5.3]	6000 [1.8]	15.1	12.5	800 [377.6]
	WBHP-17	22800 [6.7]	18000 [5.3]	6000 [1.8]	15.0	12.5	800 [377.6]
	WH1P2417STAN	22800 [6.7]	18000 [5.3]	6000 [1.8]	14.0	11.5	800 [377.6]
	WH1T2417STAN	22800 [6.7]	18000 [5.3]	6000 [1.8]	16.0	13.0	800 [377.6]
WA1430BJ1	RF1P3024STAN	28600 [8.4]	21700 [6.4]	7900 [2.3]	14.0	11.5	900 [424.8]
	RF1P3624STAN	28600 [8.4]	22800 [6.7]	7200 [2.1]	14.0	11.5	1050 [495.5]
	RF1T3624MTAN	28600 [8.4]	22800 [6.7]	7200 [2.1]	16.0	13.0	1025 [483.7]
	WBHP-21	28600 [8.4]	20300 [5.9]	9500 [2.8]	16.0	13.0	1000 [471.9]
	WH1P3017STAN	28600 [8.4]	21600 [6.3]	7000 [2.1]	14.0	11.5	950 [448.4]
	WH1T3617STAN	28600 [8.4]	22300 [6.5]	6900 [2.0]	15.1	12.5	1000 [471.9]
	WH1T3621MTAN	28600 [8.4]	22800 [6.7]	7200 [2.1]	16.0	13.0	975 [460.1]
WA1436AJ1	RF1P3624STAN	36000 [10.6]	26000 [7.6]	10000 [2.9]	14.0	11.5	1100 [519.1]
	RF1T3624MTAN	36000 [10.6]	26000 [7.6]	10000 [2.9]	14.0	11.5	1025 [483.7]
	WBHP-21	36000 [10.6]	23300 [6.8]	12700 [3.7]	14.0	11.5	1200 [566.3]
	WH1T3617STAN	35400 [10.4]	26000 [7.6]	9400 [2.8]	14.0	11.5	1200 [566.3]
	WH1T3621MTAN	36000 [10.6]	26000 [7.6]	10000 [2.9]	14.0	11.5	1150 [542.7]
WA1436BJ1	RF1T3624MTAN	34200 [10.0]	23400 [6.9]	10800 [3.2]	15.0	12.5	1025 [483.7]
	WBHP-21	34200 [10.0]	22000 [6.4]	12000 [3.5]	15.0	12.5	1200 [566.3]
	WH1T3617STAN	34200 [10.0]	23200 [6.8]	10200 [3.0]	14.0	11.5	1200 [566.3]
	WH1T3621HTAN	34200 [10.0]	25100 [7.4]	10900 [3.2]	15.1	12.5	1200 [566.3]
	WH1T3621MTAN	34200 [10.0]	25500 [7.5]	9500 [2.8]	15.0	12.5	1150 [542.7]
WA1442BJ1	WBHP-24	40000 [11.7]	28200 [8.3]	13300 [3.9]	15.0	12.5	1400 [660.7]
	WH1T4821MTAN	40000 [11.7]	31900 [9.3]	10100 [3.0]	15.0	12.5	1400 [660.7]
WA1448BJ1	WBHP-24	45500 [13.3]	30100 [8.8]	15400 [4.5]	14.0	11.5	1400 [660.7]
	WH1T4821MTAN	46000 [13.5]	35600 [10.4]	12400 [3.6]	14.0	11.5	1600 [755.1]
	WH1T4821STAN	46000 [13.5]	36300 [10.6]	10700 [3.1]	14.0	11.5	1575 [743.3]
	WH1T4824STAN	46000 [13.5]	36100 [10.6]	10900 [3.2]	14.0	11.5	1550 [731.5]
WA1460AJ1	RHLL-HM6024	57500 [16.9]	41300 [12.1]	18700 [5.5]	14.0	11.5	1800 [849.5]
	RHKL-HM6024	57500 [16.9]	41300 [12.1]	18700 [5.5]	14.0	11.5	1800 [849.5]
	RHPL-HM6024	57500 [16.9]	41300 [12.1]	18700 [5.5]	14.0	11.5	1700 [802.3]

[] Designates Metric Conversions

GENERAL TERMS OF LIMITED WARRANTY*

WeatherKing will furnish a replacement for any part of this product which fails in normal use and service within the applicable period stated, in accordance with the terms of the limited warranty.

Parts.....Five (5) Years

***For complete details of the Limited and Conditional Warranties, including applicable terms and conditions, contact your local contractor or the Manufacturer for a copy of the product warranty certificate.**

Before proceeding with installation, refer to installation instructions packaged with each model, as well as complying with all Federal, State, Provincial, and Local codes, regulations, and practices.



"In keeping with its policy of continuous progress and product improvement, WeatherKing reserves the right to make changes without notice."