



# 80PJ

Parts List  
14-April-2009



*This parts list is current as of the above revision date.  
See <http://www.rheempartslists.net/92-42803-80PJ.pdf> for the current revision.*

**80% Gas Furnaces**

# Table of Contents

Model Explanation .....	Page 3
Parts Numbers	
Panels - Miscellaneous.....	Page 4
Electrical Group.....	Page 5
Blower Group .....	Page 6
Heat Exchanger-Burner Group .....	Page 7
Gas Controls.....	Page 8
Orifice Selection Chart .....	Page 9
Drawings/Photographs	
Exploded View .....	Page 10
Blower Assembly.....	Page 11
Heat Exchanger Assembly .....	Page 12
NOX Insert Assembly After F0299 .....	Page 13
Notes/Disclaimer .....	Page 14

**MODEL NUMBER EXPLANATION**

<b>8</b>	<b>0</b>	<b>P</b>	<b>J</b>	<b>0</b>	<b>5</b>	<b>E</b>	<b>A</b>	<b>R</b>	<b>0</b>	<b>1</b>
<b>1</b>	<b>2</b>	<b>3</b>	<b>4</b>	<b>5</b>	<b>6</b>	<b>7</b>				

- |   |   |
|---|---|
| <p><b>1 EFFICIENCY</b></p> <p><b>2 TYPE</b><br/>P = Upflow Non-Condensing</p> <p><b>3 DESIGN SERIES</b><br/>J = Second Design Series</p> <p><b>4 HEATING INPUT DESIGNATION</b><br/>05 = 50,000 BTU/HR<br/>07 = 75,000 BTU/HR<br/>10 = 100,000 BTU/HR<br/>12 = 125,000 BTU/HR<br/>15 = 150,000 BTU/HR</p> <p>E = Electric<br/>N = Electric w/NOX</p> | <p><b>5 BLOWER DESIGNATION</b><br/>A = Standard / 11 - 6<br/>B = Standard / 11 - 7<br/>C = Wide / 11 - 10<br/>D = Standard / 11 - 10</p> <p><b>6 FUEL DESIGNATION</b><br/>R = Natural Gas</p> <p><b>7 NAMEPLATE LABEL</b></p> |
|---|---|

**SERIAL NUMBER EXPLANATION**

<b>G</b>	<b>E</b>	<b>5</b>	<b>D</b>	<b>7</b>	<b>0</b>	<b>7</b>	<b>F</b>	<b>3</b>	<b>1</b>	<b>9</b>	<b>5</b>	<b>9</b>	<b>9</b>	<b>9</b>	<b>9</b>
<b>1</b>	<b>2</b>	<b>3</b>	<b>4</b>	<b>5</b>	<b>6</b>	<b>7</b>	<b>8</b>	<b>9</b>	<b>10</b>						

- |  |  |
|--|--|
| <p><b>1 GAS CODE</b></p> <p><b>2 LIMIT CONTROL</b></p> <p><b>3 BLOWER</b></p> <p><b>4 HEATING ELEMENT</b></p> <p><b>5 SPECIAL AREA REQUIREMENT</b></p> | <p><b>6 MOTOR HORSEPOWER</b></p> <p><b>7 PLANT</b><br/>F = Fort Smith, AR</p> <p><b>8 WEEK</b></p> <p><b>9 YEAR</b></p> <p><b>10 PRODUCTION NUMBER</b></p> |
|--|--|

No.	Notes	MODEL HEATING INPUT VARIATIONS	80PJ 05E A	80PJ 05N A	80PJ 07E B	80PJ 07N B	80PJ 07E A	80PJ 07N A
<b>PANELS, SHEET METAL, MISCELLANEOUS</b>								
1		Plug Button	45-22980-01	45-22980-01	45-22980-01	45-22980-01	45-22980-01	45-22980-01
2		Burner Compartment Door	AE-61675-07	AE-61675-07	AE-61676-07	AE-61676-07	AE-61676-07	AE-61676-07
3		Blower/Filter Door	AS-67893-07	AS-67893-07	AS-67894-07	AS-67894-07	AS-67894-07	AS-67894-07
4		Door Switch - Push Button	42-22692-01	42-22692-01	42-22692-01	42-22692-01	42-22692-01	42-22692-01
5		Junction Box	AE-61475-02	AE-61475-02	AE-61475-02	AE-61475-02	AE-61475-02	AE-61475-02
6		Junction Box Cover	AE-61476-02	AE-61476-02	AE-61476-02	AE-61476-02	AE-61476-02	AE-61476-02
7		Induced Draft Blower	See Electrical Group					
8		Blower Assembly	See Blower Group					
9		Jacket	AS-61690-17	AS-61690-17	AS-61690-18	AS-61690-18	AS-61690-19	AS-61690-19
10		Heat Exchanger Bracket	See Heat Exchanger Group					
11		Heat Exchanger	See Heat Exchanger Group					
12		Top Plate	AE-61657-01	AE-61657-01	AE-61657-02	AE-61657-02	AE-61657-02	AE-61657-02
13		Limit - Main Limit (Heat Exchanger Panel)	See Electrical Group					
14		Silicone Tubing - Pressure Switch	AE-61737-07	AE-61737-07	AE-61737-04	AE-61737-04	AE-61737-04	AE-61737-04
15		Pressure Switch	See Electrical Group					
16		Rollout Switch Bracket	AE-61600-02	AE-61600-02	AE-61600-02	AE-61600-02	AE-61600-02	AE-61600-02
17		Limit - Manual Reset (Burner Compartment)	See Electrical Group					
24		Control Mounting Plate	AE-67877-01	AE-67877-01	AE-67877-01	AE-67877-01	AE-67877-01	AE-67877-01
26		Control Box Cover	AE-61699-02	AE-61699-02	AE-61699-02	AE-61699-02	AE-61699-02	AE-61699-02
27		Control Box	68-22857-01	68-22857-01	68-22857-01	68-22857-01	68-22857-01	68-22857-01
		Touch-up Paint - Platinum (Aerosol)	523012	523012	523012	523012	523012	523012
		Touch-up Paint - Platinum (Paint Pen)	523013	523013	523013	523013	523013	523013
		Touch-up Paint - Gray (Aerosol)	523009	523009	523009	523009	523009	523009
		Touch-up Paint - Gray (Paint Pen)	523011	523011	523011	523011	523011	523011

No.	Notes	MODEL HEATING INPUT VARIATIONS	80PJ 10E C	80PJ 10E D	80PJ 10N D	80PJ 12E D	80PJ 12N D	80PJ 15E D	80PJ 15N D
<b>PANELS, SHEET METAL, MISCELLANEOUS</b>									
1		Plug Button	45-22980-01	45-22980-01	45-22980-01	45-22980-01	45-22980-01	45-22980-01	45-22980-01
2		Burner Compartment Door	AE-61677-07	AE-61677-07	AE-61677-07	AE-61678-07	AE-61678-07	AE-61678-07	AE-61678-07
3		Blower/Filter Door	AS-67895-07	AS-67895-07	AS-67895-07	AS-67896-07	AS-67896-07	AS-67896-07	AS-67896-07
4		Door Switch - Push Button	42-22692-01	42-22692-01	42-22692-01	42-22692-01	42-22692-01	42-22692-01	42-22692-01
5		Junction Box	AE-61475-02	AE-61475-02	AE-61475-02	AE-61475-02	AE-61475-02	AE-61475-02	AE-61475-02
6		Junction Box Cover	AE-61476-02	AE-61476-02	AE-61476-02	AE-61476-02	AE-61476-02	AE-61476-02	AE-61476-02
7		Induced Draft Blower	See Electrical Group						
8		Blower Assembly	See Blower Group						
9		Jacket	AS-61690-20	AS-61690-20	AS-61690-20	AS-61690-26	AS-61690-26	AS-61690-26	AS-61690-26
10		Heat Exchanger Bracket	See Heat Exchanger Group						
11		Heat Exchanger	See Heat Exchanger Group						
12		Top Plate	AE-61657-03	AE-61657-03	AE-61657-03	AE-61657-04	AE-61657-04	AE-61657-04	AE-61657-04
13		Limit - Main Limit (Heat Exchanger Panel)	See Electrical Group						
14		Silicone Tubing - Pressure Switch	AE-61737-23	AE-61737-23	AE-61737-23	AE-61737-15	AE-61737-15	AE-61737-15	AE-61737-15
15		Pressure Switch	See Electrical Group						
16		Rollout Switch Bracket	AE-61600-02	AE-61600-02	AE-61600-02	AE-61600-02	AE-61600-02	AE-61600-02	AE-61600-02
17		Limit - Manual Reset (Burner Compartment)	See Electrical Group						
24		Control Mounting Plate	AE-67877-01	AE-67877-01	AE-67877-01	AE-67877-01	AE-67877-01	AE-67877-01	AE-67877-01
26		Control Box Cover	AE-61699-02	AE-61699-02	AE-61699-02	AE-61699-02	AE-61699-02	AE-61699-02	AE-61699-02
27		Control Box	68-22857-01	68-22857-01	68-22857-01	68-22857-01	68-22857-01	68-22857-01	68-22857-01
		Touch-up Paint - Platinum (Aerosol)	523012	523012	523012	523012	523012	523012	523012
		Touch-up Paint - Platinum (Paint Pen)	523013	523013	523013	523013	523013	523013	523013
		Touch-up Paint - Gray (Aerosol)	523009	523009	523009	523009	523009	523009	523009
		Touch-up Paint - Gray (Paint Pen)	523011	523011	523011	523011	523011	523011	523011

No.	Notes	MODEL HEATING INPUT VARIATIONS	80PJ 05E A	80PJ 05N A	80PJ 07E B	80PJ 07N B	80PJ 07E A	80PJ 07N A	
<b>ELECTRIC GROUP</b>									
7	Stk	Induced Draft Blower w/Gasket	70-101087-01	70-101087-01	70-101087-01	70-101087-01	70-101087-01	70-101087-01	
13	Stk	Limit - Main Limit (Heat Exchanger Panel)	47-25349-03	47-25349-03	47-25349-01	47-25349-01	47-25349-02	47-25349-02	
15	Stk	Pressure Switch	42-24194-01	42-24194-01	42-24194-01	42-24194-01	42-24194-01	42-24194-01	
17	Stk	Limit - Manual Reset (Burner Compartment) (3)	47-22861-01	47-22861-01	47-22861-01	47-22861-01	47-22861-01	47-22861-01	
23	Stk	Limit - Heat Assisted (Blower Housing)	47-22860-01	47-22860-01	47-22860-01	47-22860-01	47-22860-01	47-22860-01	
25		Integrated Furnace Control Board (IFC)	See Gas Controls						
28	Stk	Transformer w/Fuse	46-24124-03	46-24124-03	46-24124-03	46-24124-03	46-24124-03	46-24124-03	
		Transformer Fuse (Small - 9/16 in.)	46-22863-82	46-22863-82	46-22863-82	46-22863-82	46-22863-82	46-22863-82	
		Transformer Fuse (Large - 1-9/16 in.)	46-22863-84	46-22863-84	46-22863-84	46-22863-84	46-22863-84	46-22863-84	
		Wiring Harness - 6 pin to 4 pin, 4 wires	45-24371-05	45-24371-05	45-24371-05	45-24371-05	45-24371-05	45-24371-05	
		Wiring Harness - 4 pin to 2 pin and 2 straight terminals, 4 wires	45-24371-17	45-24371-17	45-24371-17	45-24371-17	45-24371-17	45-24371-17	
		Wiring Harness - 9 pin to 9 pin, 9 wires	45-24371-04	45-24371-04	45-24371-04	45-24371-04	45-24371-04	45-24371-04	
		Wiring Harness - 9 pin to 8 terminals (5 insulated/1 straight/2 flag), 8 wires	45-24371-13	45-24371-13	45-24371-13	45-24371-13	45-24371-13	45-24371-13	

No.	Notes	MODEL HEATING INPUT VARIATIONS	80PJ 10E C	80PJ 10E D	80PJ 10N D	80PJ 12E D	80PJ 12N D	80PJ 15E D	80PJ 15N D
<b>ELECTRIC GROUP</b>									
7	Stk	Induced Draft Blower w/Gasket	70-101087-01	70-101087-01	70-101087-01	70-101087-01	70-101087-01	70-101087-01	70-101087-01
13	Stk	Limit - Main Limit (Heat Exchanger Panel)	47-25349-01	47-25349-01	47-25349-01	47-25349-03	47-25349-03	47-25349-03	47-25349-03
15	Stk	Pressure Switch	42-24194-01	42-24194-01	42-24194-01	42-24194-01	42-24194-01	42-24194-01	42-24194-01
17	Stk	Limit - Manual Reset (Burner Compartment) (3)	47-22861-01	47-22861-01	47-22861-01	47-22861-01	47-22861-01	47-22861-01	47-22861-01
23	Stk	Limit - Heat Assisted (Blower Housing)	47-22860-01	47-22860-01	47-22860-01	47-22860-03	47-22860-03	47-22860-04	47-22860-04
25		Integrated Furnace Control Board (IFC)	See Gas Controls						
28	Stk	Transformer w/Fuse	46-24124-03	46-24124-03	46-24124-03	46-24124-03	46-24124-03	46-24124-03	46-24124-03
		Transformer Fuse (Small - 9/16 in.)	46-22863-82	46-22863-82	46-22863-82	46-22863-82	46-22863-82	46-22863-82	46-22863-82
		Transformer Fuse (Large - 1-9/16 in.)	46-22863-84	46-22863-84	46-22863-84	46-22863-84	46-22863-84	46-22863-84	46-22863-84
		Wiring Harness - 6 pin to 4 pin, 4 wires	45-24371-05	45-24371-05	45-24371-05	45-24371-05	45-24371-05	45-24371-05	45-24371-05
		Wiring Harness - 4 pin to 2 pin and 2 straight terminals, 4 wires	45-24371-17	45-24371-17	45-24371-17	45-24371-17	45-24371-17	45-24371-17	45-24371-17
		Wiring Harness - 9 pin to 9 pin, 9 wires	45-24371-04	45-24371-04	45-24371-04	45-24371-04	45-24371-04	45-24371-04	45-24371-04
		Wiring Harness - 9 pin to 8 terminals (5 insulated/1 straight/2 flag), 8 wires	45-24371-13	45-24371-13	45-24371-13	45-24371-13	45-24371-13	45-24371-13	45-24371-13

No.	Notes	MODEL HEATING INPUT VARIATIONS	80PJ	80PJ	80PJ	80PJ	80PJ	80PJ	80PJ
			05E A	05N A	07E B	07N B	07E A	07N A	
<b>BLOWER GROUP</b>									
8	Stk	Blower Assembly (Includes items 18-22)	AS-61697-47	AS-61697-47	AS-61697-66	AS-61697-66	AS-61697-79	AS-61697-79	AS-61697-79
18	Stk	Blower Wheel	70-22683-01	70-22683-01	70-23111-05	70-23111-05	70-22683-01	70-22683-01	70-22683-01
19		Housing	AS-61674-20	AS-61674-20	AS-61674-21	AS-61674-21	AS-61674-20	AS-61674-20	AS-61674-20
20	Stk	Blower Motor	51-22873-01	51-22873-01	51-24272-01	51-24272-01	51-22858-01	51-22858-01	51-22858-01
21		Motor Mount (4)	AE-61698-02	AE-61698-02	AE-61698-02	AE-61698-02	AE-61698-02	AE-61698-02	AE-61698-02
22	Stk	Capacitor - Blower Motor	43-100509-42	43-100509-42	43-100509-43	43-100509-43	43-100509-42	43-100509-42	43-100509-42
23		Limit - Heat Assisted (Blower Housing)	See Electrical Group						

No.	Notes	MODEL HEATING INPUT VARIATIONS	80PJ	80PJ	80PJ	80PJ	80PJ	80PJ	80PJ
			10E C	10E D	10N D	12E D	12N D	15E D	15N D
<b>BLOWER GROUP</b>									
8	Stk	Blower Assembly (Includes items 18-22)	AS-61697-67	AS-61697-74	AS-61697-74	AS-61697-74	AS-61697-74	AS-61697-74	AS-61697-74
18	Stk	Blower Wheel	70-20602-01	70-20602-01	70-20602-01	70-20602-01	70-20602-01	70-20602-01	70-20602-01
19		Housing	AS-61674-22	AS-61674-22	AS-61674-22	AS-61674-22	AS-61674-22	AS-61674-22	AS-61674-22
20	Stk	Blower Motor	51-24272-01	51-25327-01	51-25327-01	51-25327-01	51-25327-01	51-25327-01	51-25327-01
21		Motor Mount (4)	AE-61698-02	AE-61698-02	AE-61698-02	AE-61698-02	AE-61698-02	AE-61698-02	AE-61698-02
22	Stk	Capacitor - Blower Motor	43-21298-43	43-21298-43	43-21298-43	43-21298-43	43-21298-43	43-21298-43	43-21298-43
23		Limit - Heat Assisted (Blower Housing)	See Electrical Group						

No.	Notes	MODEL HEATING INPUT VARIATIONS	80PJ 05E A	80PJ 05N A	80PJ 07E B	80PJ 07N B	80PJ 07E A	80PJ 07N A	
<b>HEAT EXCHANGER, BURNER / MANIFOLD GROUP</b>									
10		Heat Exchanger Bracket	AE-67846-02	AE-67846-02	AE-67846-02	AE-67846-02	AE-67846-02	AE-67846-02	
11	Stk	Heat Exchanger Assembly	AS-61579-09	AS-61579-09	AS-100560-01	AS-100560-01	AS-100560-01	AS-100560-01	
13		Limit - Main Limit (Heat Exchanger Panel)	See Electrical Group						
17		Limit - Manual Reset (Burner Compartment) (3)	See Electrical Group						
23		Limit - Heat Assisted (Blower Housing)	See Electrical Group						
29		NOX Burner Insert - Before F0299	N/A	AE-61771-01 (2)	N/A	AE-61771-01 (3)	N/A	AE-61771-01 (3)	
34		NOX Burner Retainer Rod - Before F0299	N/A	AE-61715-01	N/A	AE-61715-01	N/A	AE-61715-01	
29		NOX Insert Assembly - After F0299	N/A	AS-67875-01 (1)	N/A	AS-67875-01 (2)	N/A	AS-67875-01 (2)	
34		NOX Insert Retainer - After F0299	N/A	AE-67872-01	N/A	AE-67872-02	N/A	AE-67872-02	
30		Burner Support Bracket (2) - Before F0597	AE-61588-01	AE-61588-01	AE-61588-01	AE-61588-01	AE-61588-01	AE-61588-01	
30		Burner Support Bracket (2) - After F0597	AE-61588-02	AE-61588-02	AE-61588-02	AE-61588-02	AE-61588-02	AE-61588-02	
		Burner Support - Before F0597	AE-61577-01	AE-61577-01	AE-61577-02	AE-61577-02	AE-61577-02	AE-61577-02	
		Burner Support - After F0597	AE-60997-01	AE-60997-01	AE-60997-02	AE-60997-02	AE-60997-02	AE-60997-02	
31	Stk	Manifold (w/o Orifices)	81-102427-01	81-102427-01	81-102427-02	81-102427-02	81-102427-02	81-102427-02	
32	Stk	Burner w/Shield - Before F0597	75-22840-02 (2)	75-22840-02 (2)	75-22840-02 (3)	75-22840-02 (3)	75-22840-02 (3)	75-22840-02 (3)	
32	Stk	Burner Assembly - After F0597	AS-60993-02	AS-60993-02	AS-60993-03	AS-60993-03	AS-60993-03	AS-60993-03	
		Burner Orifice - Natural Gas	See Orifice Selection Chart						
		Burner Orifice - LP	See Orifice Selection Chart						
		Number of Orifices	(2)	(2)	(3)	(3)	(3)	(3)	

No.	Notes	MODEL HEATING INPUT VARIATIONS	80PJ 10E C	80PJ 10E D	80PJ 10N D	80PJ 12E D	80PJ 12N D	80PJ 15E D	80PJ 15N D	
<b>HEAT EXCHANGER GROUP</b>										
10		Heat Exchanger Bracket	AE-67846-02	AE-67846-02	AE-67846-02	AE-67846-02	AE-67846-02	AE-67846-02	AE-67846-02	
11	Stk	Heat Exchanger Assembly	AS-61579-04	AS-61579-04	AS-61579-04	AS-61579-05	AS-61579-05	AS-61579-06	AS-61579-06	
13		Limit - Main Limit (Heat Exchanger Panel)	See Electrical Group							
17		Limit - Manual Reset (Burner Compartment) (3)	See Electrical Group							
23		Limit - Heat Assisted (Blower Housing)	See Electrical Group							
29		NOX Burner Insert - Before F0299	N/A	N/A	AE-61771-01 (4)	N/A	AE-61771-01 (5)	N/A	AE-61771-01 (6)	
34		NOX Burner Retainer Rod - Before F0299	N/A	N/A	AE-61715-01	N/A	AE-61715-01	N/A	AE-61715-01	
29		NOX Insert Assembly - After F0299	N/A	N/A	AS-67875-01 (3)	N/A	AS-67875-01 (4)	N/A	AS-67875-01 (5)	
34		NOX Insert Retainer - After F0299	N/A	N/A	AE-67872-03	N/A	AE-67872-04	N/A	AE-67872-05	
30		Burner Support Bracket (2) - Before F0597	AE-61588-01	AE-61588-01	AE-61588-01	AE-61588-01	AE-61588-01	AE-61588-01	AE-61588-01	
30		Burner Support Bracket (2) - After F0597	AE-61588-02	AE-61588-02	AE-61588-02	AE-61588-02	AE-61588-02	AE-61588-02	AE-61588-02	
		Burner Support - Before F0597	AE-61577-03	AE-61577-03	AE-61577-03	AE-61577-04	AE-61577-04	AE-61577-05	AE-61577-05	
		Burner Support - After F0597	AE-60997-03	AE-60997-03	AE-60997-03	AE-60997-04	AE-60997-04	AE-60997-05	AE-60997-05	
31	Stk	Manifold (w/o Orifices)	81-102427-03	81-102427-03	81-102427-03	81-102427-04	81-102427-04	81-102427-05	81-102427-05	
32	Stk	Burner w/Shield - Before F0597	75-22840-02 (4)	75-22840-02 (4)	75-22840-02 (4)	75-22840-02 (5)	75-22840-02 (5)	75-22840-02 (6)	75-22840-02 (6)	
32	Stk	Burner Assembly - After F0597	AS-60993-04	AS-60993-04	AS-60993-04	AS-60993-05	AS-60993-05	AS-60993-06	AS-60993-06	
		Burner Orifice - Natural Gas	See Orifice Selection Chart							
		Burner Orifice - LP	See Orifice Selection Chart							
		Number of Orifices	(4)	(4)	(4)	(5)	(5)	(6)	(6)	

No.	Notes	MODEL GAS CODE	80PJ EB	80PJ EC	80PJ EU	80PJ EV	80PJ EZ
<b>GAS CONTROLS</b>							
25	Stk	Integrated Furnace Control Board (IFC)	62-24268-01	62-24268-01	62-24044-01	62-24084-02	62-24268-01
	Stk	Flame Sensor	62-23543-01	62-23543-01	62-23543-01	62-23543-01	62-23543-01
33	Stk	Gas Valve - Natural Gas	60-22866-01	60-23490-01	60-24290-01	60-24290-01	60-24350-01
33	Stk,1	Gas Valve - LP	See Note 1	See Note 1	See Note 1	See Note 1	See Note 1
35	Stk	Ignitor	62-22868-02	62-22868-02	62-22868-02	62-22868-02	62-22868-02
		Ignitor Bracket	AE-61581-01	AE-61581-01	AE-61581-01	AE-61581-01	AE-61581-01
		Ignitor Shield	AE-61627-01	AE-61627-01	AE-61627-01	AE-61627-01	AE-61627-01
<b>LP Conversion Kit:</b>							
	Stk	U.S. Models	FP-15	FP-15	FP-15	FP-15	FP-15
	Stk	Canadian Models	FP-04	FP-04	FP-04	FP-04	FP-04

No.	Notes	MODEL GAS CODE	80PJ FX	80PJ FW	80PJ GA	80PJ GB	80PJ GC
<b>GAS CONTROLS</b>							
25	Stk	Integrated Furnace Control Board (IFC)	62-24192-01	62-24192-01	62-24268-02	62-24268-02	62-24268-02
	Stk	Flame Sensor	62-23543-01	62-23543-01	62-23543-01	62-23543-01	62-23543-01
33	Stk	Gas Valve - Natural Gas	60-22866-01	60-23490-01	60-22866-01	60-24350-01	60-23490-01
33	Stk,1	Gas Valve - LP	See Note 1	See Note 1	See Note 1	See Note 1	See Note 1
35	Stk	Ignitor	62-22868-02	62-22868-02	62-22868-02	62-22868-02	62-22868-02
		Ignitor Bracket	AE-61581-01	AE-61581-01	AE-61581-01	AE-61581-01	AE-61581-01
		Ignitor Shield	AE-61627-01	AE-61627-01	AE-61627-01	AE-61627-01	AE-61627-01
<b>LP Conversion Kit:</b>							
	Stk	U.S. Models	FP-15	FP-15	FP-15	FP-15	FP-15
	Stk	Canadian Models	FP-04	FP-04	FP-04	FP-04	FP-04

No.	Notes	MODEL GAS CODE	80PJ GE	80PJ GF			
<b>GAS CONTROLS</b>							
25	Stk	Integrated Furnace Control Board (IFC)	62-24268-02	62-24192-01			
	Stk	Flame Sensor	62-23543-01	62-23543-01			
33	Stk	Gas Valve - Natural Gas	60-100394-01	60-100394-01			
33	Stk,1	Gas Valve - LP	See Note 1	See Note 1			
35	Stk	Ignitor	62-22868-02	62-22868-02			
		Ignitor Bracket	AE-61581-01	AE-61581-01			
		Ignitor Shield	AE-61627-01	AE-61627-01			
<b>LP Conversion Kit:</b>							
	Stk	U.S. Models	FP-15	FP-15			
	Stk	Canadian Models	FP-04	FP-04			



**80% GAS FURNACE - ORIFICE SELECTION CHART - NATURAL GAS**

**CAUTION:** Selection of the correct Natural Gas Orifice requires the following information for the specific installation:

- 1) Altitude in of the installation (ft.).
- 2) Average energy content of the Natural Gas fuel from the local supplier (BTU/cu. ft.).

For detailed information and instructions for Orifice selection, see the Gas Furnace LP Conversion Kit Index 92-21519-59 and the latest edition of the National Fuel Gas Code Handbook, or the National Standard of Canada, Natural Gas and Propane Installation Code, CAN B149.1.

**CAUTION:** This information is provided for replacement purposes only. Conversion for operation at High Altitude must be done using the kit specified on the product specification sheet for the unit.

NOTE: This Orifice sizing chart is based on 25,000 BTU/HR per burner.

NOTE: Factory installed orifices are calculated and sized based on a Natural Gas heating value of 1075 BTU/cu. ft. and an elevation of 0 - 3000 ft.

Energy Value (BTU/cu. ft.)	Elevation (ft.)							
	0 - 1999	2000 - 2999	3000 - 3999	4000 - 4999	5000 - 5999	6000 - 6999	7000 - 7999	8000 - 8999
<b>850</b>	62-22175-38	62-22175-39	62-22175-40	62-22175-41	62-22175-41	62-22175-42	62-22175-42	62-22175-43
<b>900</b>	62-22175-40	62-22175-41	62-22175-42	62-22175-42	62-22175-42	62-22175-43	62-22175-43	62-22175-44
<b>975</b>	62-22175-41	62-22175-42	62-22175-42	62-22175-42	62-22175-43	62-22175-43	62-22175-44	62-22175-44
<b>1075</b>	62-22175-42	62-22175-42	62-22175-43	62-22175-43	62-22175-43	62-22175-44	62-22175-44	62-22175-45
<b>1170</b>	62-22175-43	62-22175-44	62-22175-44	62-22175-44	62-22175-45	62-22175-45	62-22175-46	62-22175-47

**80% GAS FURNACE - ORIFICE SELECTION CHART - LP**

**CAUTION:** Selection of the correct LP Orifice requires the altitude of the specific installation (ft.).

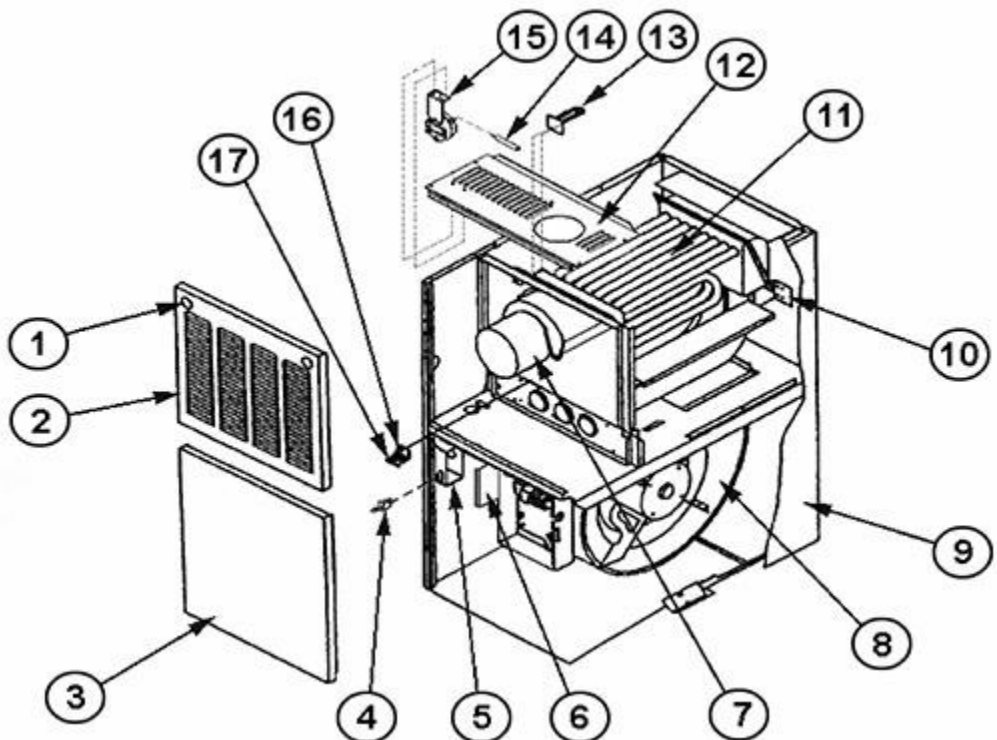
For detailed information and instructions for Orifice selection, see the Gas Furnace LP Conversion Kit Index 92-21519-59 and the latest edition of the National Fuel Gas Code Handbook (NFG), or the National Standard of Canada, Natural Gas and Propane Installation Code, CAN B149.1.

**CAUTION:** This information is provided for replacement purposes only. Conversion to LP or for operation at High Altitude should be done using the kit(s) specified on the product specification sheet for the unit.

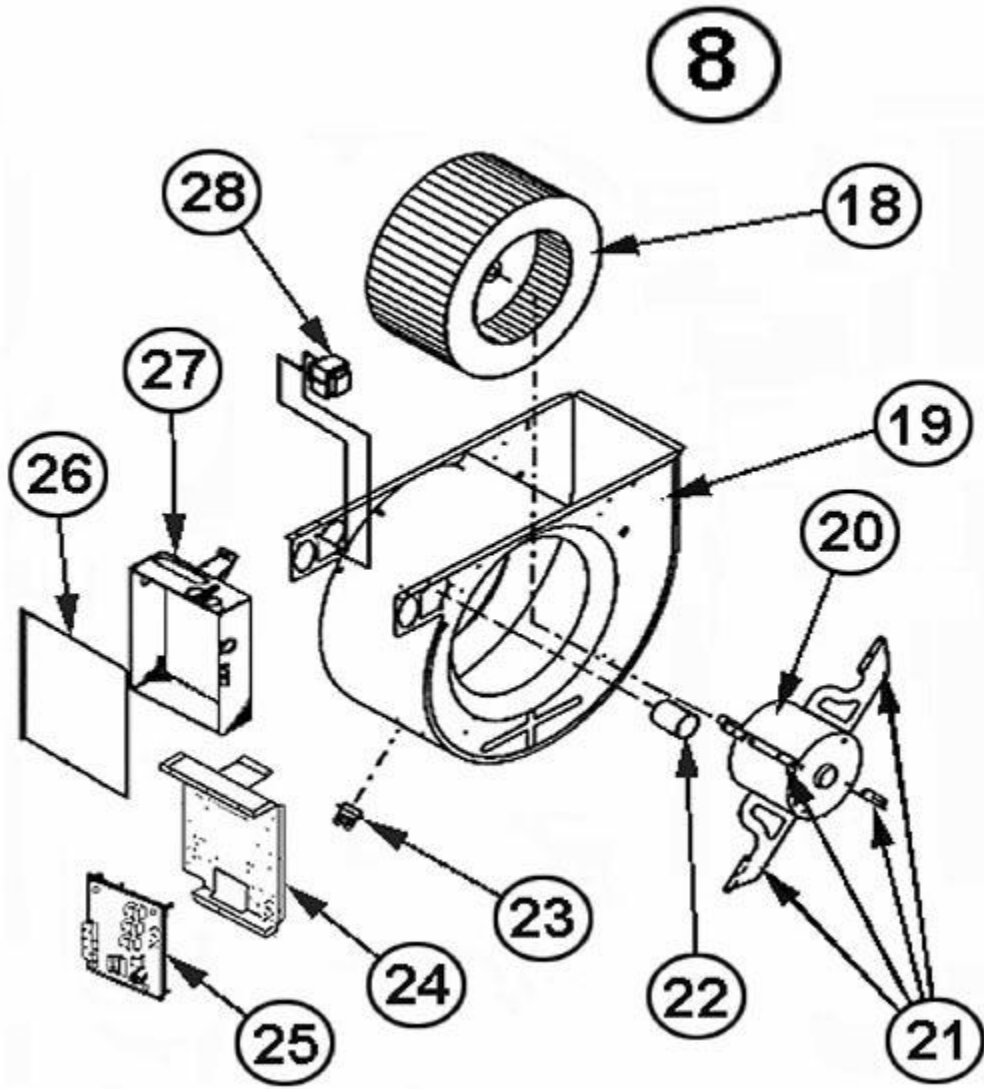
NOTE: This Orifice sizing chart is based on 25,000 BTU/HR per burner. Also, the chart is developed using the specified pressure setting of 10 in. water column instead of the 11.0 in water column used by the NFG and CANB149.1.

NOTE: Orifices supplied in the LP Conversion Kit are calculated and sized based on an altitude of 0 - 4000 ft.

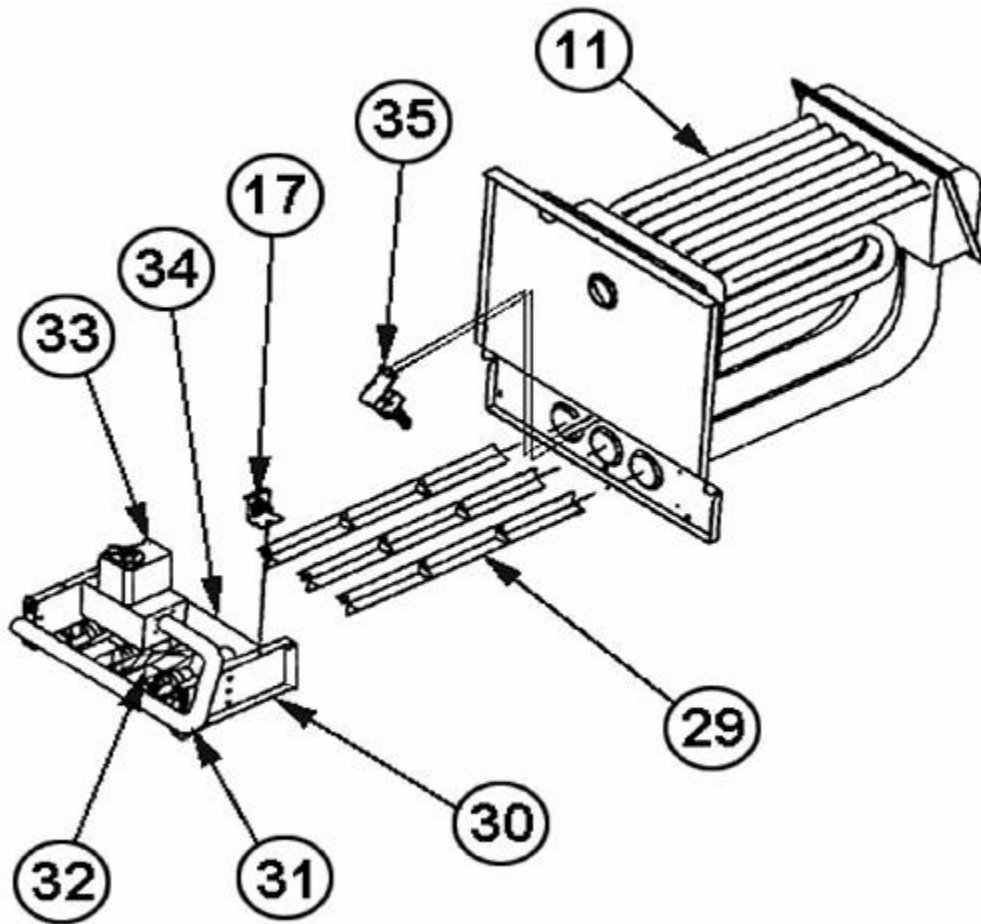
Elevation (ft.)	Orifice							
0 - 2000	62-22175-54							
2001 - 3000	62-22175-54							
3001 - 4000	62-22175-54							
4001 - 5000	62-22175-54							
5001 - 6000	62-22175-54							
6001 - 7000	62-22175-54							
7001 - 8000	62-22175-55							
8001 - 9000	62-22175-55							
9001 - 10000	62-22175-55							



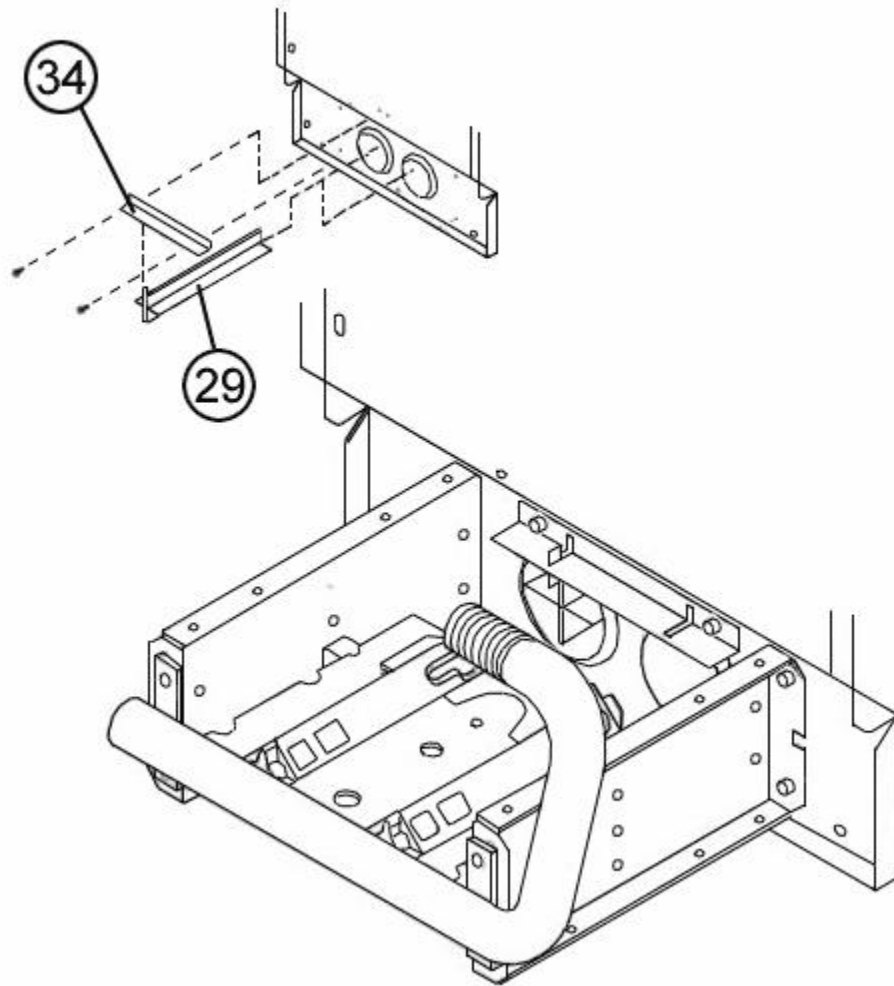
Exploded View



Blower Assembly



Heat Exchanger Assembly



NOX Insert Assembly After F0299

# NOTES

Stk It is recommended that stock be maintained for this part.  
N/A Not Applicable  
1 Order Gas Valve for Natural Gas along with LP Conversion Kit.

**DISCLAIMER:** This document is intended to provide general replacement parts information to aid qualified service personnel in the repair of these models. The complete Model and Serial Number of the unit under repair should be specified when selecting and ordering replacement parts. Specifications and illustrations are subject to change without notice. Document 92-42803-80PJ supersedes all previous parts lists for these models. See <http://www.rheempartslists.net/92-42803-80PJ> for the latest revision of this document. The manufacturer assumes no obligation for errors or omissions. Service personnel must verify the proper and safe operation of equipment after the replacement of any original components.