

# Burner Motor

1/7 hp AC motor for **AF/AFG** Burners

*Beckett*  
PARTS & ACCESSORIES

## Product Sheet

### Description

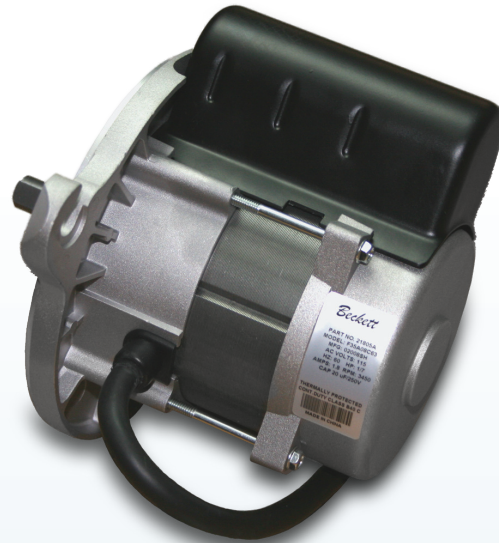
Available for the Beckett AF/AFG burner line, the 1/7 hp PSC motor is based on proven durability of the AFII motor after 10 years of high reliability in the field.

### Features & Benefits

- **Permanent Split Capacitor** - Lower amp draw, cooler operation, few failures.
- **Ball Bearings** - Longer Life

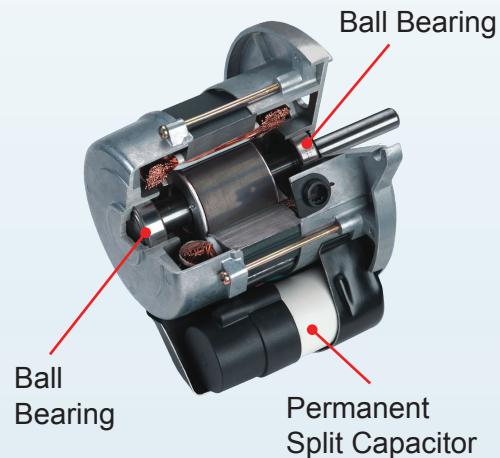
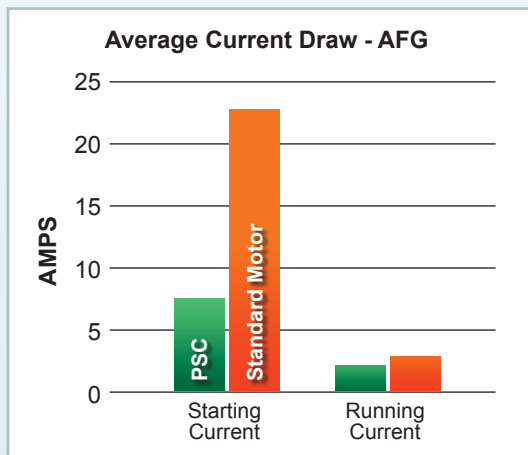
### Specifications

Electrical Input	115V / 60Hz
Current Draw	1.7 FLA
Speed	3,450 rpm
Construction Type	PSC (Permanent Split Capacitor)
Bearing System	Ball bearing
Thermal Protector	Manual reset



### Dimensions

Mounting Frame	NEMA 48M
Lamination Width	3.7 in.
Body Length	4.56 in.
Body Width	3.93 in.



R.W. **BECKETT** CORPORATION

USA: R.W. Beckett Corporation • ph: (800)645-2876 • fax: (800)800-9802 | Canada: R.W. Beckett Canada Ltd. • ph: (800)665-6972 • fax: (519)763-5656

[www.beckettcorp.com](http://www.beckettcorp.com)