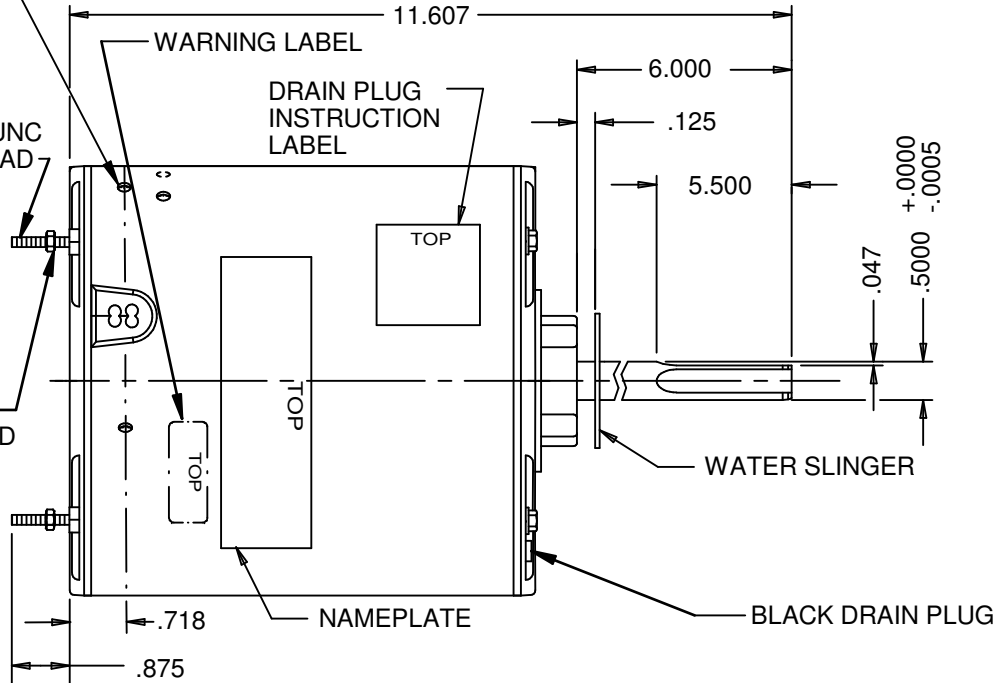
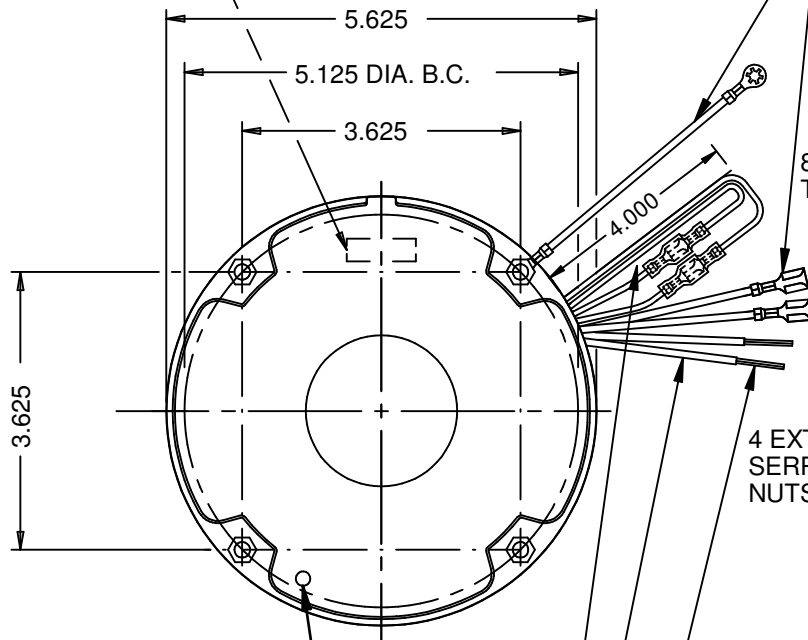


AUTOMATIC THERMAL PROTECTOR

#16 GREEN GROUND LEAD TO BE 12.000±.250 BETWEEN CENTERS OF TERMS. TERM. TO FIT #10 SCREW

(2) .250 STRAIGHT TYPE Q.C. TERMS. WITH INSUL. GRIP ON BROWN LEADS.
(4) 8-18 SCREWS SUPPLIED IN MOTOR SHELL HOLES 90° APART

ROTATION IS C.C.W. VIEWING LEAD END WITH ORG TO ORG & YEL TO YEL TO REVERSE INTERCHANGE ORG & YEL LEADS.

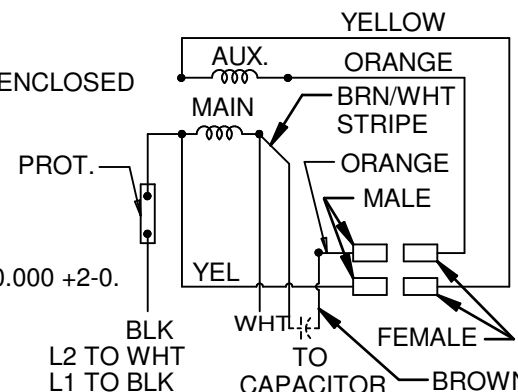


8-32 UNC THREAD
4 EXTRA SERRATED NUTS

(2) LEADS SKINNED .750±.062

(4) LEADS, #18, .031 THICK INSUL.
(2) YELLOW & (2) ORANGE FOR REVERSING ROTATION

4 LEADS, #18, .062 THICK INSUL. TO EXTEND BEYOND MOTOR
BLACK=30.000 +2-0, WHITE=30.000 +2-0,
BROWN=30.000 +2-0, BRN/WHT STRIPE=30.000 +2-0.



CAT. NO.	CAPACITOR
1875	7.5 MFD 440V

NIDEC MOTOR CORPORATION 28-Feb-17

MODEL	REF	CUSTOMER	HP	VOLTS	AMPS	HZ	RPM	ROTATION	CUSTOMER PN
K55HXCLL-1467	D35132-X3	WHOLESALE-HAC	1/3-1/5	208-230	2.4-1.4	60	825	C.C.W. LD. END REV	

SHEET NUMBER	REV	REVISION RECORD FOR:
1 OF 1	B	ECO E28062
		DRAWING BACK TO ACTIVE.
REVISION DATE		
28-FEB-17		
ISSUED BY	REVIEWED BY	ENGINEER APPROVED
E. REYES	L. RODRIGUEZ	J. RICE

INFORMATION DISCLOSED ON THIS DOCUMENT IS CONSIDERED PROPRIETARY AND SHALL NOT BE REPRODUCED OR DISCLOSED WITHOUT WRITTEN CONSENT OF NIDEC MOTOR CORPORATION

NIDEC MOTOR CORPORATION

TITLE	CODE	ITEM NO.	SIZE
ASSEMBLED VIEW	V01	796956	A