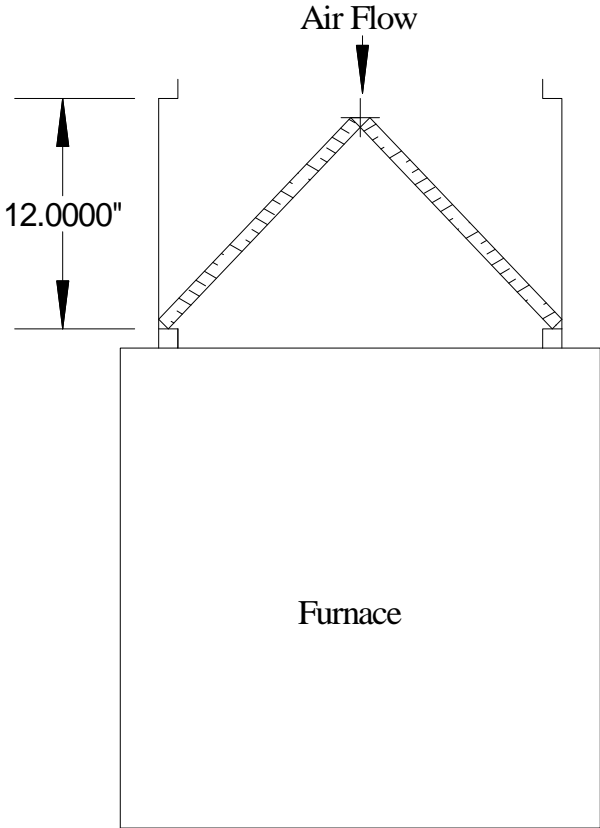


# UNI-PRODUCTS, INC.

3315 Elkhorn Blvd North Highlands Ca. 95660

(800)369-7017 Fax (916)348-3700

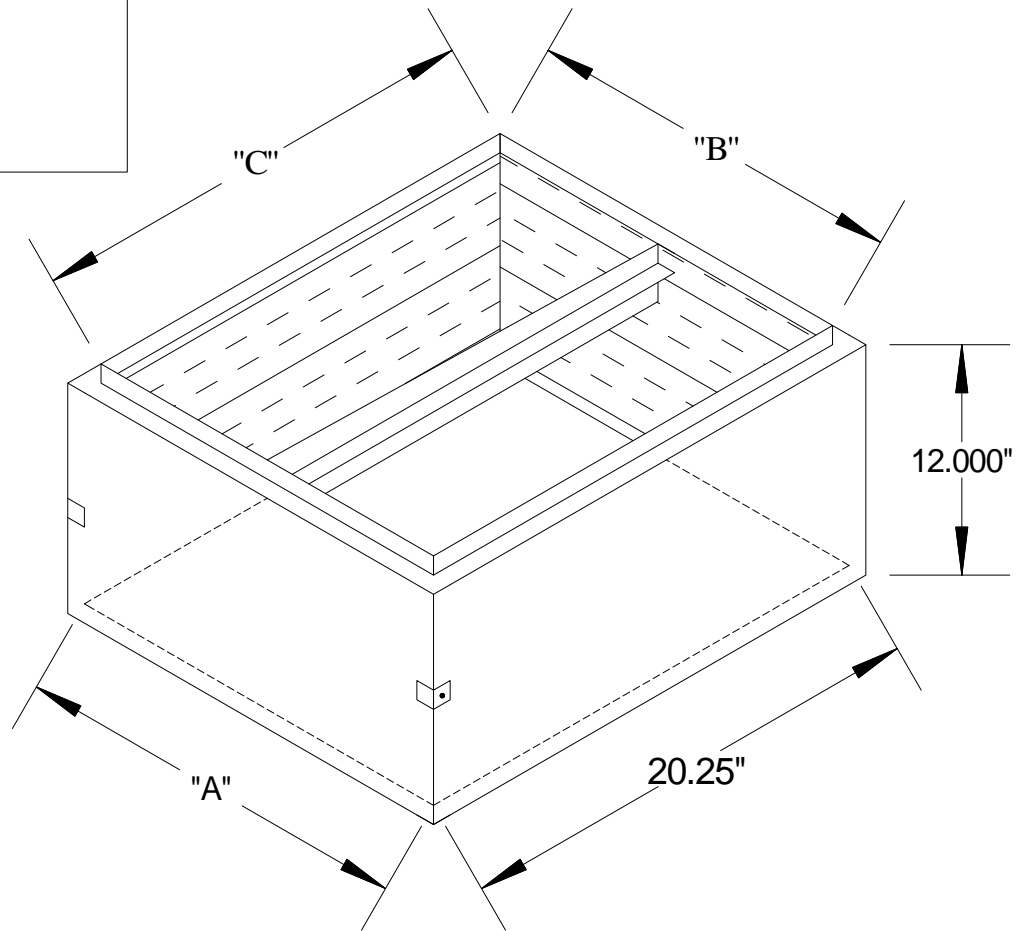


Down flow Filter Box Construction:

24 ga. galvanized steel.

Insulated for sound reduction.

Snap latches for easy removal of door and efficient seal.



Filter Box	Filter Qty Required	" A "	" B "	" C "
DFFC200	2 each 10" x 20" x 1"	13.75"	12.75"	20.25"
DFFC300	3 each 10" x 20" x 1"	16.75"	16.25"	20.25"
DFFC400	3 each 10" x 20" x 1"	20.00"	21.25"	19.75"
DFFC500	4 each 10" x 20" x 1"	23.50"	23.875"	20.25"