

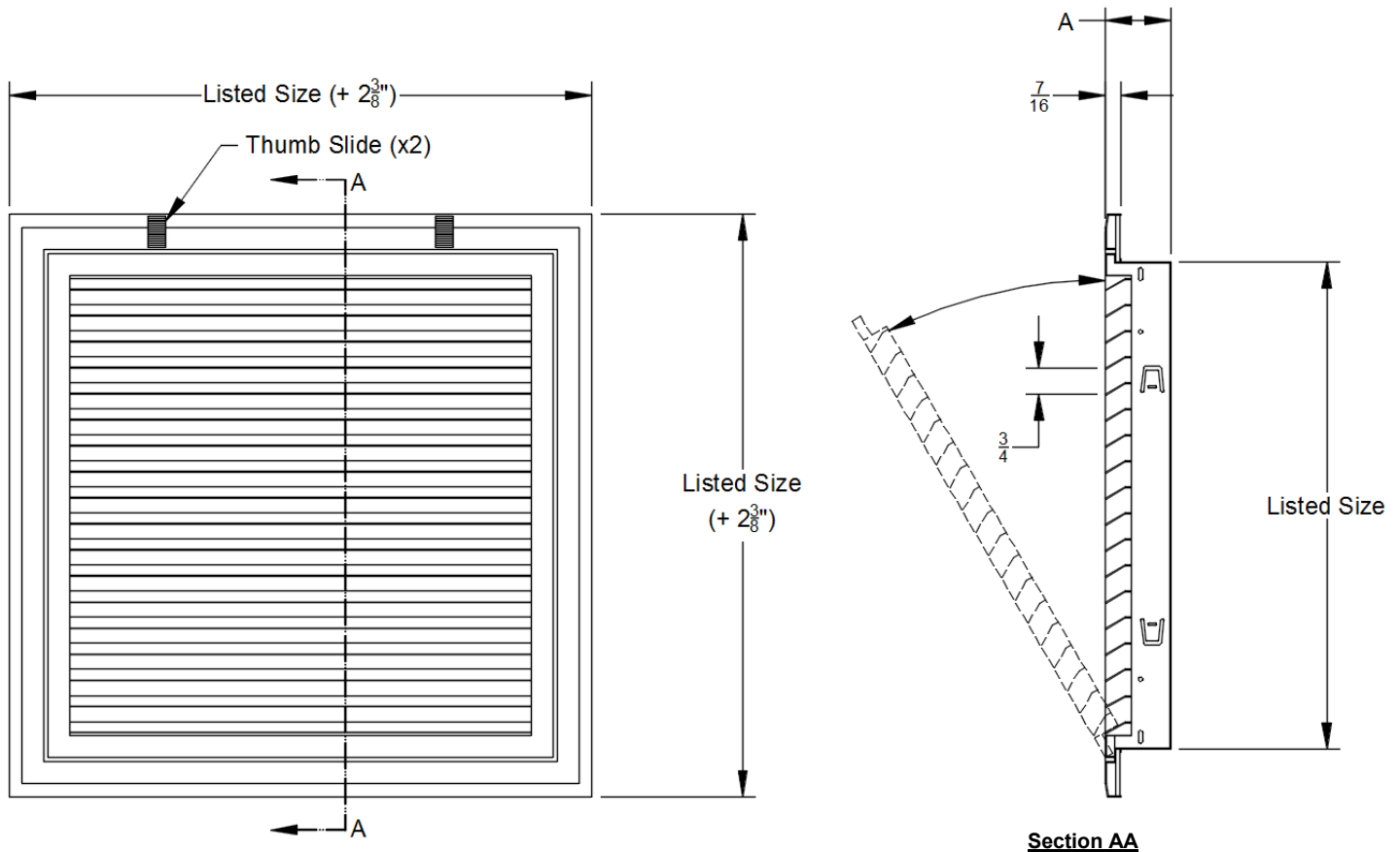
Model: _____ Size: _____ Tag: _____

Project Name: _____

Project Location: _____

Engineer: _____ Contractor: _____

Distributor: _____ Representative: _____



Features:

- Pristine White Powder Coat Finish
- #8 x 2" Long Mounting Hardware

Construction Options:

- 1" Deep Filter
- 2" Deep Filter
- 30° Blade Pitch
- 45° Blade Pitch

Filter Depth	Dim "A"
1"	1 7/8"
2"	2 1/16"

Note: This submittal is meant to demonstrate the general dimensions of this product. The illustrations are not meant to detail every aspect of the product. Drawings are not to scale. T.A. Industries, Inc. reserves the right to make changes without notice or obligations.

TA Industries, Inc. 11130 Bloomfield Ave.
Santa Fe Springs

Tel. 888-TRUAIRE
Fax 562-466-1010

truair.com
mytruairhome.com