

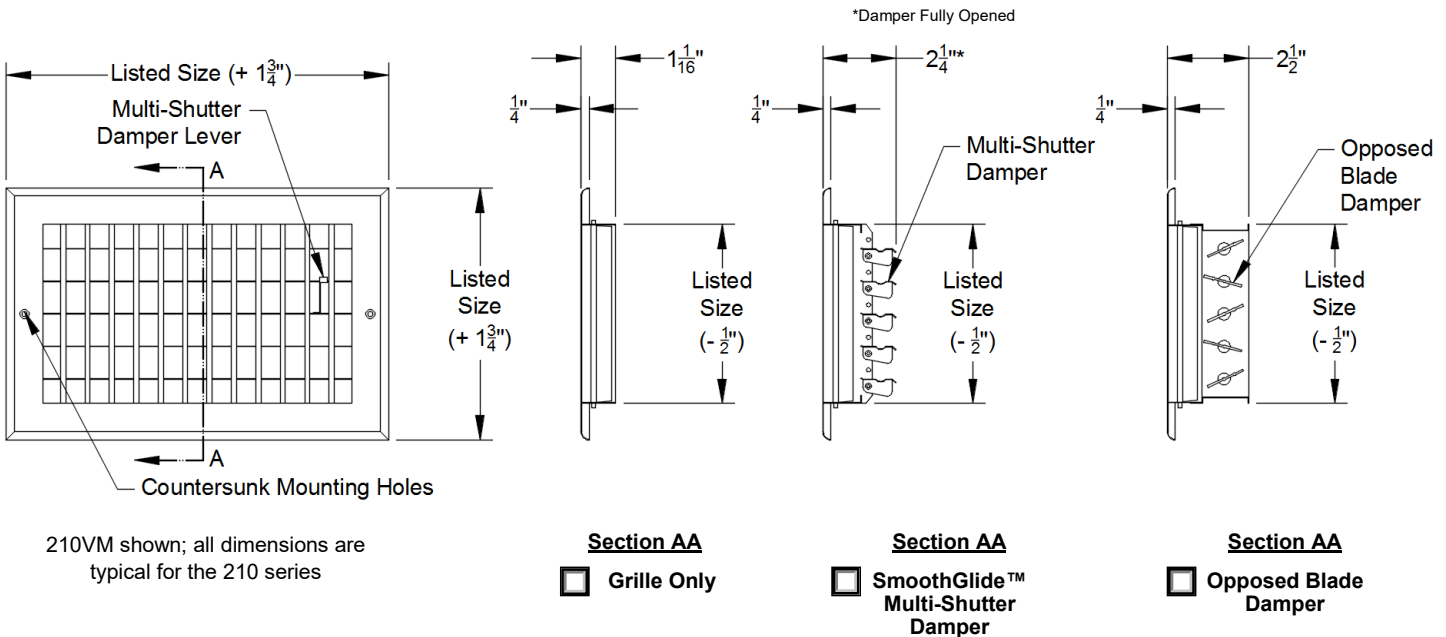
Model: _____ Size: _____ Tag: _____

Project Name: _____

Project Location: _____

Engineer: _____ Contractor: _____

Distributor: _____ Representative: _____



Features:

- One Piece Construction (Up to 14" x 10")
- Individually Adjustable Blades
- Unique Beveled Edges on Steel Models
- Airfoil Blades on Aluminum Models
- #8 x 2" Long Mounting Hardware

Construction Options:

- Aluminum Construction
- Steel Construction
- Horizontal Blades
- Vertical Blades

Finish Options:

- Pristine White Powder Coat Finish
 - Aluminum Powder Coat Finish
- Following Plating Finishes are Available Only on Steel Models
- Brushed Nickel Plating
 - Oil Rubbed Bronze Plating
 - Polished Nickel Plating

Note: This submittal is meant to demonstrate the general dimensions of this product. The illustrations are not meant to detail every aspect of the product. Drawings are not to scale. T.A. Industries, Inc. reserves the right to make changes without notice or obligations.

TA Industries, Inc. 11130 Bloomfield Ave.
Santa Fe Springs

Tel. 888-TRUAIRE
Fax 562-466-1010

truair.com
mytruairhome.com