

Submitted by: _____

Date: _____

Round Step-down

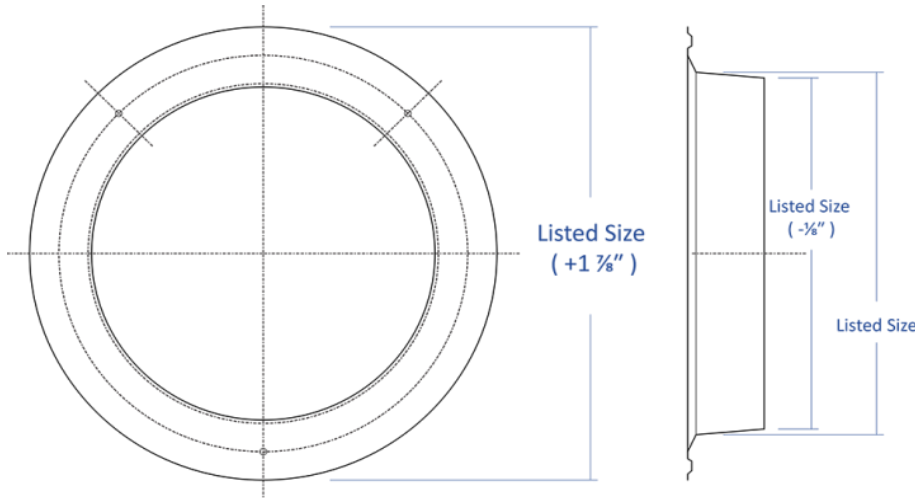
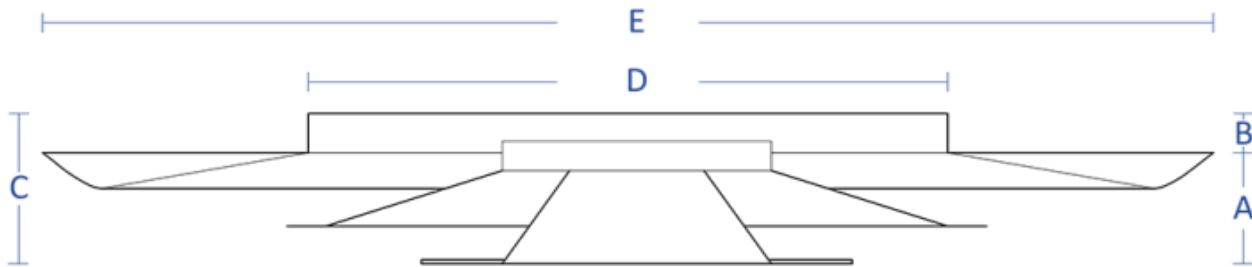
Commercial Diffuser

Model:

Size	A	B	C	D	E
6"	1 1/2"	3/4"	2 1/4"	5 7/8"	11"
8"	1 1/2"	3/4"	2 1/4"	7 7/8"	14 3/4"
10"	2"	3/4"	2 3/4"	9 7/8"	18 1/8"
12"	2 1/8"	3/4"	2 7/8"	11 7/8"	21 3/4"
14"	2 7/8"	3/4"	3 5/8"	13 7/8"	25"
16"	3 5/8"	3/4"	4 1/2"	15 7/8"	28 3/4"
18"	3 7/8"	3/4"	4 5/8"	17 7/8"	32"

Available Options

- Model 883 Duct Ring - used for ceiling install



883 Duct Ring Sizes

- 6"
- 8"
- 10"
- 12"
- 14"
- 16"
- 18"

Model Features

- Ceiling or exposed duct installation
- 360° air pattern
- Removable center core
- Fasten direct to duct or to optional duct ring
- Durable white powder coat finish

Material: Steel

Face: Round Step-down

Model Size:

Project Name: _____

Architect: _____

Project Location: _____

Engineer: _____

Contractor: _____