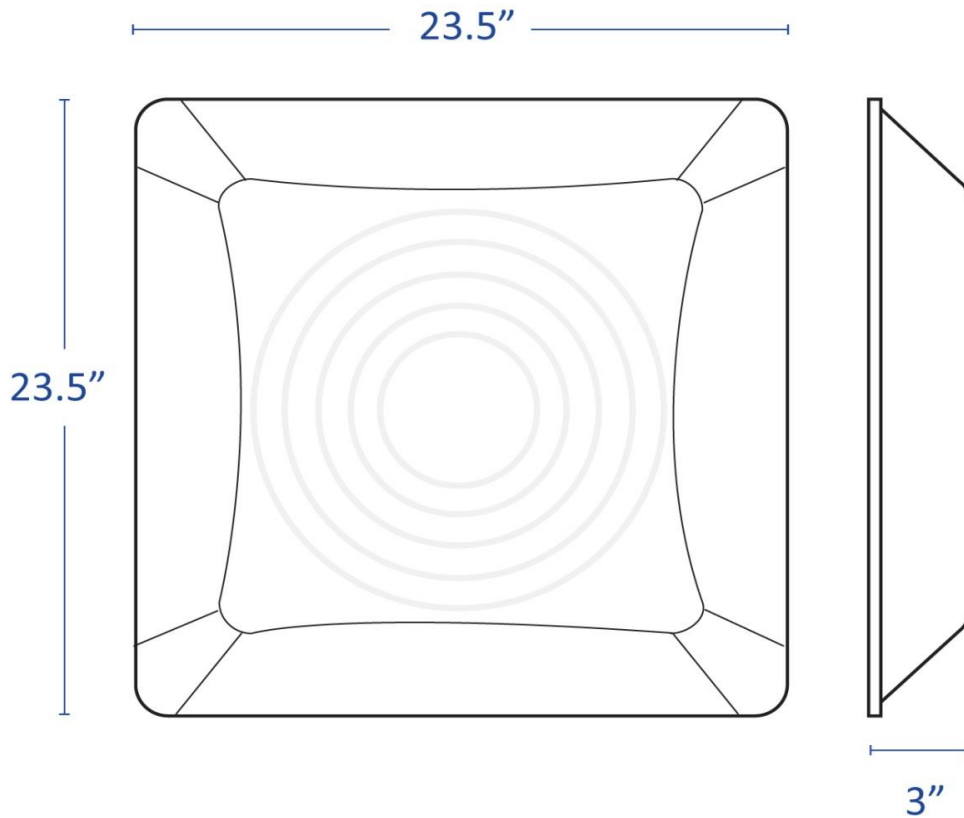


Submitted by: _____

Date: _____

Molded R6 Insulated Back

Model:



Project Name: _____

Architect: _____

Project Location: _____

Engineer: _____

Contractor: _____