



HIGH EFFICIENCY 14 SEER AIR CONDITIONER ENVIRONMENTALLY SOUND R-410A REFRIGERANT

1½ THRU 5 TONS SPLIT SYSTEM

208 / 230 Volt, 1-phase, 60 Hz

REFRIGERATION CIRCUIT

- Copeland Scroll™ compressors on all models
- Filter-Drier supplied with every unit for field installation
- External high and low refrigerant service ports
- Copper tube / aluminum fin coil

PERFORMANCE

- 2-speed Fan Motors factory wired on all models
- Compressor Sound Jacket standard
- Kickplate across front bottom and corners for extra protection from dents and dings

EASY TO INSTALL AND SERVICE

- Comfort Alert™ Diagnostics device on all models
- Easy Access service valves on all models
- Compressor access panel
- New, innovative control box design
- High and Low pressure switches
- Fan motor in-line disconnect plug
- Only two screws to access control panel
- Factory charged with R-410A refrigerant

BUILT TO LAST

- High gloss, baked-on powder coat finish over galvanized steel
- Post-painted (black) coil fins
- Coated, weather-resistant cabinet screws
- Coated inlet grille with ⅜" spacing for extra protection
- Corner Posts for extra strength and style
- 7 year No Hassle replacement limited warranty
- 10 year limited compressor, 7 year limited coil, and 5 year limited parts warranties



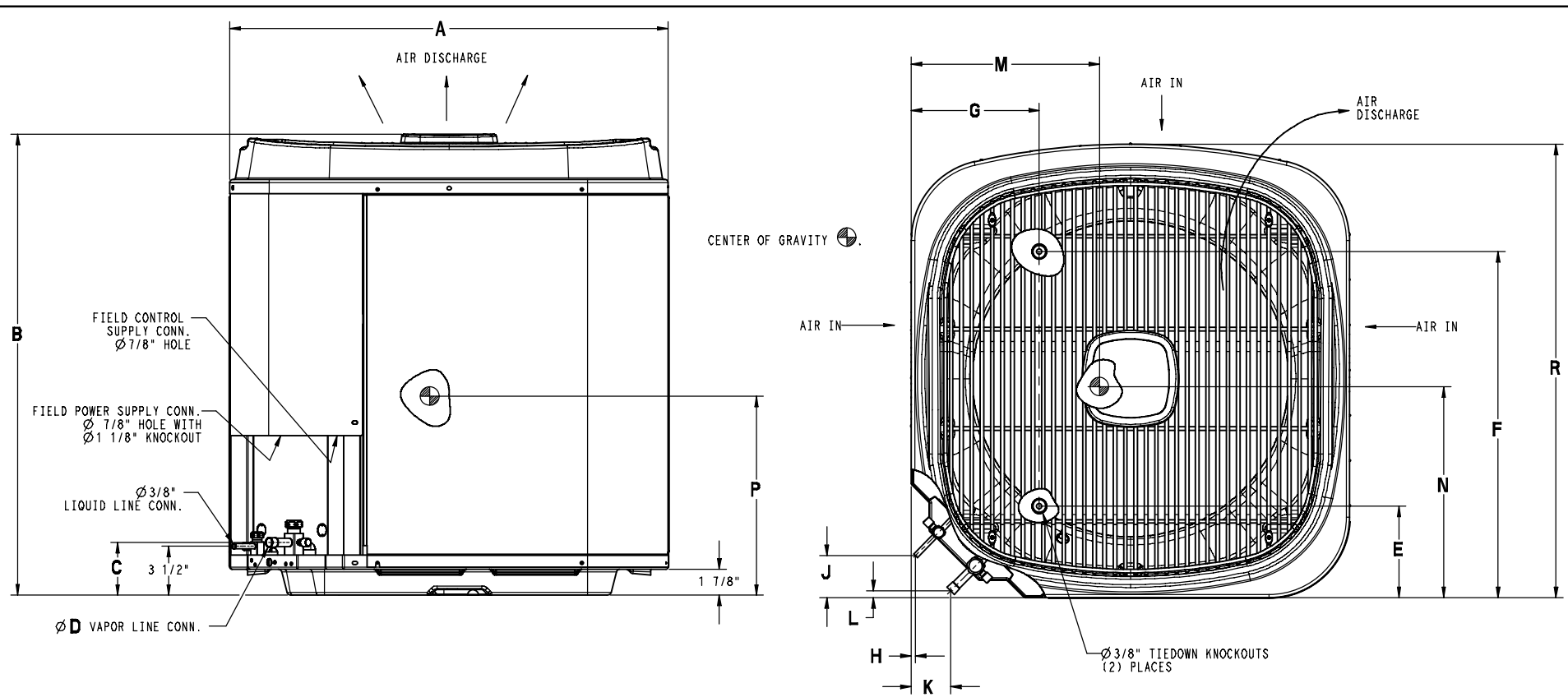
This product has been designed and manufactured to meet ENERGY STAR criteria for energy efficiency when matched with appropriate coil components. However, proper refrigerant charge and proper air flow are critical to achieve rated capacity and efficiency. Installation of this product should follow the manufacturer's refrigerant charging and air flow instructions. Failure to confirm proper charge and airflow may reduce energy efficiency and shorten equipment life.



Rated in accordance with ARI Standard 210/240. Certification applies only when used with proper components as listed with ARI.



Model Number	Size (tons)	Nominal Btu/hr	Min. Circuit Ampacity	Max. Fuse or Breaker	Operating Dimensions height x width x depth (in)	Ship / Operating Weight (lbs)
T4A418GKA	1½	18,000	11.7	20	39⅝ × 31⅜ × 32⅝	219 / 189
T4A424GKA	2	24,000	17.3	25	39⅝ × 31⅜ × 32⅝	222 / 193
T4A430GKB	2½	30,000	18.3	30	40⅝ × 35 × 36⅝	254 / 208
T4A436GKA	3	36,000	21.9	35	37 × 35 × 36⅝	279 / 248
T4A442GKA	3½	42,000	23.8	40	47⅜ × 35 × 36⅝	337 / 302
T4A448GKB	4	48,000	28.6	40	33⅝ × 35 × 36⅝	286 / 244
T4A460GKA	5	60,000	34.4	50	47⅜ × 35 × 36⅝	343 / 308



Model	All Dimensions Inches																Minimum Mounting Pad Size	Crated Dimensions B(h) x A(w) x R(d)
	A	B	C	D	E	F	G	H	J	K	L	M	N	P	R			
T4A418GKA	31 ³ / ₁₆	39 ⁵ / ₈	3 ³ / ₄	5 ⁵ / ₈	6 ⁹ / ₁₆	24 ¹¹ / ₁₆	9 ¹ / ₈	5 ⁵ / ₁₆	3	2 ¹³ / ₁₆	1 ¹ / ₂	15 ⁷ / ₈	15 ³ / ₄	16 ⁷ / ₈	32 ⁵ / ₁₆	31 ¹ / ₂ x 32 ¹ / ₂	46 ³ / ₁₆ x 32 ³ / ₈ x 35 ¹ / ₂	
T4A424GKA	31 ³ / ₁₆	39 ⁵ / ₈	3 ³ / ₄	5 ⁵ / ₈	6 ⁹ / ₁₆	24 ¹¹ / ₁₆	9 ¹ / ₈	5 ⁵ / ₁₆	3	2 ¹³ / ₁₆	1 ¹ / ₂	14	15 ¹ / ₂	17	32 ⁵ / ₁₆	31 ¹ / ₂ x 32 ¹ / ₂	46 ³ / ₁₆ x 32 ³ / ₈ x 35 ¹ / ₂	
T4A430GKB	35	40 ³ / ₈	3 ³ / ₄	3 ³ / ₄	6 ⁹ / ₁₆	24 ¹¹ / ₁₆	9 ¹ / ₈	5 ⁵ / ₁₆	3	2 ¹³ / ₁₆	1 ¹ / ₂	18	17	19 ¹ / ₂	36 ⁹ / ₁₆	35 x 36 ¹ / ₂	46 ¹ / ₈ x 36 ¹ / ₈ x 39 ⁵ / ₁₆	
T4A436GKA	35	37	3 ³ / ₄	3 ³ / ₄	6 ⁹ / ₁₆	24 ¹¹ / ₁₆	9 ¹ / ₈	5 ⁵ / ₁₆	3	2 ¹³ / ₁₆	1 ¹ / ₂	19 ³ / ₄	18	15 ¹ / ₄	36 ⁹ / ₁₆	35 x 36 ¹ / ₂	42 ³ / ₄ x 36 ¹ / ₈ x 39 ⁵ / ₁₆	
T4A442GKA	35	47 ³ / ₁₆	3 ⁷ / ₈	7 ⁷ / ₈	6 ⁹ / ₁₆	24 ¹¹ / ₁₆	9 ¹ / ₈	5 ⁵ / ₁₆	3	2 ¹⁵ / ₁₆	5 ⁵ / ₈	20 ¹ / ₂	19 ³ / ₄	18 ¹ / ₂	36 ⁹ / ₁₆	35 x 36 ¹ / ₂	50 ¹³ / ₁₆ x 36 ¹ / ₈ x 39 ⁵ / ₁₆	
T4A448GKB	35	33 ⁹ / ₁₆	3 ⁷ / ₈	7 ⁷ / ₈	6 ⁹ / ₁₆	24 ¹¹ / ₁₆	9 ¹ / ₈	5 ⁵ / ₁₆	3	2 ¹⁵ / ₁₆	5 ⁵ / ₈	16 ⁷ / ₈	17	15 ¹ / ₄	36 ⁹ / ₁₆	35 x 36 ¹ / ₂	39 ³ / ₈ x 36 ¹ / ₈ x 39 ⁵ / ₁₆	
T4A460GKA	35	47 ³ / ₁₆	3 ⁷ / ₈	7 ⁷ / ₈	6 ⁹ / ₁₆	24 ¹¹ / ₁₆	9 ¹ / ₈	5 ⁵ / ₁₆	3	2 ¹⁵ / ₁₆	5 ⁵ / ₈	20 ¹ / ₂	19 ³ / ₄	18 ¹ / ₂	36 ⁹ / ₁₆	35 x 36 ¹ / ₂	50 ¹³ / ₁₆ x 36 ¹ / ₈ x 39 ⁵ / ₁₆	

PHYSICAL DATA							
Model Size	18	24	30	36	42	48	60
Nominal Cooling Capacity (BTU/hr)	18,000	24,000	30,000	36,000	42,000	48,000	60,000
Nominal SEER	14.0	14.0	14.0	14.0	14.0	14.0	14.0
Sound Rating							
High Speed Fan (dBA)	72	72	76	74	76	78	76
Low Speed Fan (dBA)	70	68	73	71	72	75	73
PSC Fan Motor HP	1/12	1/12	1/10	1/5	1/5	1/4	1/4
Fan RPM High	825	825	800	825	825	800	825
Fan RPM Low	750	750	750	750	750	750	750
Fan CFM (High)	2140	2140	2595	3265	3265	3673	3673
Coil Face Area (ft ²)	16.08	16.08	20.33	18.30	24.40	16.26	24.40
Coil Rows-fins per inch	1-25	1-25	1-25	2-20	2-20	2-20	2-20
Low Pressure Switch							
Open Pressure (psig)	50 ± 7	50 ± 7	50 ± 7	50 ± 7	50 ± 7	50 ± 7	50 ± 7
Close Pressure (psig)	95 ± 7	95 ± 7	95 ± 7	95 ± 7	95 ± 7	95 ± 7	95 ± 7
High Pressure Switch							
Open Pressure (psig)	610 ± 10	610 ± 10	610 ± 10	610 ± 10	610 ± 10	610 ± 10	610 ± 10
Close Pressure (psig)	420 ± 25	420 ± 25	420 ± 25	420 ± 25	420 ± 25	420 ± 25	420 ± 25
Liquid Line Connection Size (in.)	3/8	3/8	3/8	3/8	3/8	3/8	3/8
Vapor Line Connection Size (in.)	5/8	5/8	3/4	3/4	7/8	7/8	7/8
Recommended Line Set Liquid Tube Diameter (in.)	3/8	3/8	3/8	3/8	3/8	3/8	3/8
Recommended Line Set Vapor Tube Diameter (in.) *	5/8 *	5/8 *	3/4 *	3/4 *	7/8 *	7/8 *	1 1/8 *
* Recommended Vapor Tube Line size is for standard installations. These recommendations may not apply to "Long Line" installations. When the total equivalent line length exceeds 80 feet or there is more than 20 feet vertical separation between indoor and outdoor units, consult the Long Line Application Guideline document before purchasing/installing line sets.							
Factory Charge R-410A (lbs.)	5.8	6.0	6.7	10.5	11.6	8.8	13.5
Required Subcooling (°F)	9	9	10	8	10	10	14
Weight, shipping (lbs.)	219	222	254	279	337	285	343
Weight, operating (lbs.)	189	193	208	248	302	244	308

ELECTRICAL DATA (208/230-1-60, voltage range 197V - 253V)							
Model Size	18	24	30	36	42	48	60
Minimum Circuit Ampacity -MCA (amps)	11.7	17.3	18.3	21.9	23.8	28.6	34.4
Maximum OverCurrent Protective device - MOCP (amps)	20	25	30	35	40	40	50
Compressor RLA (Rated Load Amps)	9.0	13.5	14.1	16.7	17.9	21.8	26.4
LRA (Locked Rotor Amps)	48	58.3	73	79	112	117	134
Fan Motor FLA (Full Load Amps)	0.5	0.5	0.7	1.1	1.4	1.4	1.4

R-410A COOLING CAPACITY LOSS FOR VARIOUS LINE LENGTHS & TUBE DIAMETERS

Model Size	Liquid Line (in.)	Acceptable Vapor Line Sizes (in.)	Cooling Capacity Loss (%) at Total Equivalent Line Length (ft.) Refer to Long Line Application Guideline to calculate equivalent length										
			Standard Application			Long Line Application (Requires Accessories)							
			25'	50'	80'	81'	100'	125'	150'	175'	200'	225'	250'
18	3/8	1/2	1	2	3	3	4	6	7	8	9	10	12
		5/8	0	0	1	1	1	1	2	2	3	3	3
24		5/8	0	1	1	1	2	3	3	4	4	5	6
		3/4	0	0	0	0	0	1	1	1	1	1	2
30		7/8	0	0	0	0	0	0	0	0	0	0	1
		5/8	1	2	3	3	3	4	5	6	7	8	9
		3/4	0	0	1	1	1	1	2	2	2	3	3
36		7/8	0	0	0	0	0	1	1	1	1	1	1
		5/8	1	2	4	4	5	6	7	9	10	11	13
		3/4	0	0	1	1	1	2	2	3	3	4	4
42		7/8	0	0	0	0	0	1	1	1	1	2	2
		3/4	0	1	2	2	2	3	4	4	5	6	6
	1 1/8	0	0	0	0	0	0	0	0	0	0	1	
48	7/8	0	0	1	1	1	1	2	2	2	3	3	
	3/4	0	1	2	2	3	4	5	5	6	7	8	
	1 1/8	0	0	0	0	0	0	0	0	1	1	1	
60	7/8	0	0	0	0	0	0	0	0	1	1	1	
	3/4	1	2	4	4	5	6	7	9	10	11	12	
	1 1/8	0	0	0	0	1	1	1	1	1	1	2	

* Applications are considered “Long Line” if the total equivalent tubing length exceeds 80 feet or there is more than 20 foot vertical separation between indoor and outdoor units). These applications require additional accessories and system modifications for reliable system operation. Refer to the Long Line Application Guideline document for required piping and system modifications. Refer to Accessory Usage Guidelines below for required accessories.

Applications in this shaded area may have height restrictions that limit allowable total equivalent length when outdoor unit is below indoor unit. Refer to the Long Line Application Guideline document for instructions.

The maximum allowable total equivalent length is 250 feet.

ACCESSORY USAGE GUIDELINES

Accessory	REQUIRED FOR LOW-AMBIENT APPLICATIONS (Below 55° F)	REQUIRED FOR LONG LINE APPLICATIONS* (Over 80 Ft.)
Crankcase Heater	Yes	Yes
Evaporator Freeze Thermostat	Yes	No
Winter Start Control	Yes	No
Hard Start Kit (Capacitor & Relay)	Yes	Yes
Low Ambient Kit (Pressure Switch)	Yes	No
Support Feet, 4” tall	Recommended	No
Liquid Line Solenoid Valve	No	See Long-Line Application Guideline

* For Line Set lengths between 80 and 200 ft horizontal, or more than 20 ft indoor-outdoor vertical separation, refer to the Long Line Application Guideline document.

ACCESSORIES		
Part Number	Description	Used On Model Size
NASA003CH	Crankcase Heater for Scroll Compressor (208/230 V)	18, 24 (Factory Installed on 30, 36)
NASA001CH	Crankcase Heater for Scroll Compressor (208/230 V)	(Factory Installed on 42, 48, 60)
NASA001SC	Start Component - PTC Device	ALL
NASA001FS	Evaporator Freeze Thermostat	ALL
NASA401LS	Liquid Line Solenoid Valve, R-410A	ALL
NASA001TD	Time Delay Relay, Indoor Blower	ALL
NASA001WS	Winter Start Control	ALL
NASA001AC	Anti-Cycle Timer (5 minute delay)	ALL
NASA005SC	Hard Start Kit (Capacitor & Relay)	ALL
NASA401LA	Low Ambient Kit (Pressure Switch), R-410A	ALL
NASA001SF	Support Feet, 4" tall	ALL
EBAC05TXVX	TXV Kit, R-410A *	18, 24, 30
EBAC06TXVX	TXV Kit, R-410A *	36, 42
EBAC07TXVX	TXV Kit, R-410A *	48, 60

* ONLY converts Fan Coils equipped with factory installed R-22 TXV.

COOLING PERFORMANCE FOR COMBINATION RATINGS
Indoor Models

Outdoor Model	Current Indoor Model (‡ tested combo)	Furnace Model	Factory Installed	Cooling (95 °F)			SEER			
				BTU/hr	S/T	EER	factory	w/ field TDR	w/ field R-410A TXV	w/ field R-410A TXV+TDR
T4A418GKA	^‡ED*4X24B**	†	TXV	18,000	0.76	12		14.00		
	ED*4X18B**	†	TXV	17,700	0.76	11.70		13.50		
	^ED*4X18B**	MV08B15****	TDR&TXV	17,900	0.76	12.50	15.00			
	^ED*4X24B**	MV08B15****	TDR&TXV	18,300	0.76	12.50	15.00			
	^ED*4X24F**	†	TXV	18,000	0.76	12.00		14.00		
	^ED*4X24F**	MV12F19****	TDR&TXV	18,300	0.76	12.50	15.00			
	^EHD4X24A**	†	TXV	18,000	0.76	12.00		14.00		
	^EHD4X24A**	*9MPV050	TDR&TXV	18,500	0.76	12.50	15.00			
	^EHD4X24A**	*9MPV075	TDR&TXV	18,600	0.76	12.50	15.00			
	^EHD4X24A**	MV08B15****	TDR&TXV	18,000	0.76	12.50	15.00			
	^EHD4X24A**	MV12F19****	TDR&TXV	17,900	0.76	12.50	15.00			
	^EMA4X24D**	†	TXV	18,000	0.76	12.00		14.00		
	^FEM4X18****	†	TDR&TXV	18,200	0.76	12.50	15.00			
	^FEM4X24****	†	TDR&TXV	18,400	0.76	12.50	15.00			
	FS(M,U)4X18****	†	TDR&TXV	17,700	0.76	11.70	13.50			
	^FS(M,U)4X24****	†	TDR&TXV	18,100	0.76	12.00	14.00			
	^FSA2X24****	†	TDR&TXV	18,000	0.76	12.00			14.00	
	^FVM4X24****	†	TDR&TXV	18,200	0.76	12.50	15.00			
T4A424GKA	^‡ED*4X30B**	†	TXV	23,400	0.78	11.9		14.00		
	ED*4X24B**	†	TXV	23,000	0.78	11.70		13.50		
	^ED*4X24B**	*8MPV050	TDR&TXV	23,200	0.78	12.20	14.50			
	^ED*4X24B**	MV08B15****	TDR&TXV	23,400	0.78	12.50	15.00			
	^ED*4X24B**	*9MPV050	TDR&TXV	23,000	0.78	12.50	15.00			
	^ED*4X24B**	*9MPV075	TDR&TXV	23,000	0.78	12.50	15.00			
	ED*4X24F**	†	TXV	23,000	0.78	11.70		13.50		
	^ED*4X24F**	*9MPV050	TDR&TXV	23,200	0.78	12.50	15.00			
	^ED*4X24F**	*9MPV075	TDR&TXV	23,400	0.78	12.50	15.00			
	^ED*4X24F**	MV12F19****	TDR&TXV	23,400	0.78	12.50	15.00			
	^ED*4X30B**	*8MPV050	TDR&TXV	23,400	0.78	12.50	15.00			
	^ED*4X30B**	MV08B15****	TDR&TXV	23,400	0.78	12.50	15.00			
	^ED*4X30B**	*9MPV050	TDR&TXV	23,200	0.78	12.50	15.00			
	^ED*4X30B**	*9MPV075	TDR&TXV	23,200	0.78	12.50	15.00			
	^ED*4X30F**		TXV	23,200	0.78	11.90		14.00		
	^ED*4X30F**	*9MPV050	TDR&TXV	23,200	0.78	12.50	15.00			
	^ED*4X30F**	*9MPV075	TDR&TXV	23,400	0.78	12.50	15.00			
	^ED*4X30F**	MV12F19****	TDR&TXV	23,800	0.78	12.50	15.00			
	^ED*4X36B**	†	TXV	23,200	0.78	12.00	14.00			
	^ED*4X36B**	†	TXV	22,300	0.78	11.90		14.00		
	^ED*4X36F**	†	TXV	23,200	0.78	12.00		14.00		
	^ED*4X36J**	†	TXV	23,200	0.78	12.00		14.00		
	^EHD4X24A**	†	TXV	23,000	0.78	12.00		14.00		
	^EHD4X24A**	*8MPV050	TDR&TXV	23,200	0.78	12.20	14.50			
	^EHD4X24A**	*8MPV100	TDR&TXV	23,600	0.78	12.50	15.00			
	^EHD4X24A**	*8MPV125	TDR&TXV	23,600	0.78	12.50	15.00			
	^EHD4X24A**	*9MPV050	TDR&TXV	23,200	0.78	12.20	14.50			
	^EHD4X24A**	*9MPV075	TDR&TXV	23,200	0.78	12.20	14.50			
^EHD4X24A**	*9MPV100	TDR&TXV	23,400	0.78	12.50	15.00				

^ Indicates ENERGY STAR compliance for combinations with both: SEER 14.0 or higher and EER 11.5 or higher.

† For coils not listed with a matching furnace or blower, coil rating applies with any indoor blower device

- continued on next page -

COOLING PERFORMANCE FOR COMBINATION RATINGS (continued)											
Indoor Models											
Outdoor Model	Current Indoor Model († tested combo)	Furnace Model	Factory Installed	Cooling (95 °F)			SEER				
				BTU/hr	S/T	EER	factory	w/ field TDR	w/ field R-410A TXV	w/ field R-410A TXV+TDR	
T4A424GKA (continued)	^EHD4X24A**	MV08B15****	TDR&TXV	23,400	0.78	12.50	15.00				
	^EHD4X24A**	MV12F19****	TDR&TXV	23,400	0.78	12.50	15.00				
	^EHD4X24A**	MV16J22****	TDR&TXV	23,600	0.78	12.50	15.00				
	^EHD4X24A**	MV20N26****	TDR&TXV	23,200	0.78	12.50	15.00				
	^EHD4X30A**	†	TXV	23,200	0.78	12.00		14.00			
	^EHD4X30A**	*8MPV050	TDR&TXV	23,200	0.78	12.50	15.00				
	^EHD4X30A**	*9MPV050	TDR&TXV	23,400	0.78	12.50	15.00				
	^EHD4X30A**	*9MPV075	TDR&TXV	23,400	0.78	12.50	15.00				
	^EHD4X30A**	*9MPV100	TDR&TXV	23,600	0.78	12.50	15.00				
	^EHD4X30A**	MV08B15****	TDR&TXV	23,600	0.78	12.50	15.00				
	^EHD4X30A**	MV12F19****	TDR&TXV	23,400	0.78	12.50	15.00				
	^EHD4X30A**	MV16J22****	TDR&TXV	23,800	0.78	12.50	15.00				
	^EHD4X30A**	MV20N26****	TDR&TXV	23,600	0.78	12.50	15.00				
	^EHD4X36A**	†	TXV	23,200	0.78	12.00		14.00			
	^EMA4X24D**	†	TXV	23,000	0.78	11.80		14.00			
	^EMA4X36D**	†	TXV	23,200	0.78	12.00		14.00			
	^FEM4X24****	†	TDR&TXV	23,200	0.78	12.50	15.00				
	^FEM4X30****	†	TDR&TXV	23,400	0.78	12.50	15.00				
	FS(M,U)4X24****	†	TDR&TXV	22,800	0.78	11.70	13.50				
	^FS(M,U)4X30****	†	TDR&TXV	23,000	0.78	12.00	14.00				
	^FSA2X24****	†	TDR&TXV	22,600	0.78	12.00			14.00		
	^FVM4X24****	†	TDR&TXV	23,200	0.78	13.00	15.00				
	^FVM4X36****	†	TDR&TXV	23,200	0.78	13.00	15.00				
	T4A430GKB	^†ED*4X36F**	†	TXV	29,400	0.73	12		14.00		
		^ED*4X30B**	†	TXV	29,400	0.73	11.70		14.00		
		^ED*4X30B**	*8MPV050	TDR&TXV	29,600	0.73	12.00	14.00			
		^ED*4X30F**	†	TXV	29,400	0.73	11.70		14.00		
^ED*4X30F**		*8MPV075	TDR&TXV	29,800	0.73	12.50	15.00				
^ED*4X30F**		*9MPV050	TDR&TXV	29,600	0.73	12.20	14.50				
^ED*4X30F**		*9MPV075	TDR&TXV	29,600	0.73	12.20	14.50				
^ED*4X36B**		†	TXV	28,400	0.73	12.00		14.00			
^ED*4X36B**		*8MPV050	TDR&TXV	28,600	0.73	12.20	14.50				
^ED*4X36B**		MV08B15**B*	TDR&TXV	28,800	0.73	13.00	15.50				
^ED*4X36F**		*8MPV075	TDR&TXV	30,000	0.73	12.50	15.00				
^ED*4X36F**		*9MPV050	TDR&TXV	29,600	0.73	12.50	15.00				
^ED*4X36F**		*9MPV075	TDR&TXV	29,800	0.73	12.50	15.00				
^ED*4X36J**		†	TXV	29,400	0.73	12.00		14.00			
^EHD4X30A**		†	TXV	29,400	0.73	11.70		14.00			
^EHD4X30A**		*8MPV050	TDR&TXV	29,800	0.73	12.20	14.50				
^EHD4X30A**		*8MPV075	TDR&TXV	29,800	0.73	12.50	15.00				
^EHD4X30A**		*9MPV050	TDR&TXV	29,600	0.73	12.20	14.50				
^EHD4X30A**		*9MPV075	TDR&TXV	29,600	0.73	12.20	14.50				
^EHD4X30A**		*9MPV100	TDR&TXV	29,800	0.73	12.50	15.00				
^EHD4X30A**		*9MPV125	TDR&TXV	29,800	0.73	12.50	15.00				
^EHD4X36A**		†	TXV	29,800	0.73	12.00		14.00			
^EHD4X36A**		*8MPV050	TDR&TXV	29,800	0.73	12.20	14.50				
^EHD4X36A**		*8MPV075	TDR&TXV	30,000	0.73	12.50	15.00				

^ Indicates ENERGY STAR compliance for combinations with both: SEER 14.0 or higher and EER 11.5 or higher.

† For coils not listed with a matching furnace or blower, coil rating applies with any indoor blower device

- continued on next page -

COOLING PERFORMANCE FOR COMBINATION RATINGS (continued)										
Indoor Models										
Outdoor Model	Current Indoor Model (‡ tested combo)	Furnace Model	Factory Installed	Cooling (95 °F)			SEER			
				BTU/hr	S/T	EER	factory	w/ field TDR	w/ field R-410A TXV	w/ field R-410A TXV+TDR
T4A430GKB (continued)	^EHD4X36A**	*9MPV050	TDR&TXV	29,600	0.73	12.50	15.00			
	^EHD4X36A**	*9MPV075	TDR&TXV	29,800	0.73	12.50	15.00			
	^EMA4X36D**	†	TXV	29,400	0.73	12.00		14.00		
	^FEM4X30****	†	TDR&TXV	29,400	0.73	12.20	14.50			
	^FEM4X36****	†	TDR&TXV	30,000	0.73	12.20	14.50			
	^FS(M,U)4X30****	†	TDR&TXV	29,200	0.73	11.70	14.00			
	^FSA4X30**A*	†	TDR&TXV	29,000	0.73	11.70	14.00			
T4A436GKA	^‡ED*4X42J**	†	TXV	35,400	0.76	11.9		14.00		
	ED*4X36B**	†	TXV	34,000	0.76	11.70		13.50		
	^ED*4X36B**	*8MPV050	TDR&TXV	33,600	0.76	12.00	14.00			
	^ED*4X36B**	MV08B15****	TDR&TXV	34,400	0.76	12.20	14.50			
	ED*4X36F**	†	TXV	35,000	0.76	11.70		13.50		
	^ED*4X36F**	*8MPV075	TDR&TXV	35,400	0.76	12.00	14.00			
	^ED*4X36F**	*9MPV075	TDR&TXV	35,200	0.76	12.00	14.00			
	^ED*4X36F**	MV12F19****	TDR&TXV	35,600	0.76	12.50	15.00			
	ED*4X36J**	†	TXV	35,000	0.76	11.70		13.50		
	^ED*4X36J**	*8MPV100	TDR&TXV	35,600	0.76	12.50	15.00			
	^ED*4X36J**	*8MPV125	TDR&TXV	35,600	0.76	12.50	15.00			
	^ED*4X36J**	*9MPV100	TDR&TXV	35,400	0.76	12.20	14.50			
	^ED*4X36J**	MV16J22****	TDR&TXV	35,400	0.76	12.50	15.00			
	^ED*4X42F**	†	TXV	35,400	0.76	11.50		14.20		
	^ED*4X42F**	*8MPV075	TDR&TXV	35,600	0.76	12.00	15.00			
	^ED*4X42F**	*9MPV050	TDR&TXV	35,200	0.76	12.00	14.50			
	^ED*4X42F**	*9MPV075	TDR&TXV	35,200	0.76	12.00	14.50			
	^ED*4X42F**	MV12F19****	TDR&TXV	36,200	0.76	12.50	15.00			
	^ED*4X42J**	*8MPV100	TDR&TXV	35,800	0.76	12.50	15.00			
	^ED*4X42J**	*8MPV125	TDR&TXV	35,800	0.76	12.50	15.00			
	^ED*4X42J**	*9MPV100	TDR&TXV	35,800	0.76	12.20	14.50			
	^ED*4X42J**	MV16J22****	TDR&TXV	36,400	0.76	12.50	15.00			
	^ED*4X42L**	†	TXV	35,400	0.76	11.90		14.00		
	^ED*4X42L**	*9MPV125	TDR&TXV	36,000	0.76	12.50	15.00			
	^ED*4X48F**	†	TXV	34,800	0.76	12.00		14.00		
	^ED*4X48J**	†	TXV	35,800	0.76	12.00		14.00		
	^ED*4X48L**	†	TXV	35,800	0.76	12.00		14.00		
	EHD4X36A**	†	TXV	35,000	0.76	11.70		13.50		
	^EHD4X36A**	*8MPV075	TDR&TXV	35,400	0.76	12.20	14.50			
	^EHD4X36A**	*8MPV100	TDR&TXV	35,400	0.76	12.50	15.00			
	^EHD4X36A**	*8MPV125	TDR&TXV	35,800	0.76	12.50	15.00			
	^EHD4X36A**	*9MPV075	TDR&TXV	35,200	0.76	12.20	14.50			
	^EHD4X36A**	*9MPV100	TDR&TXV	35,200	0.76	12.50	15.00			
	^EHD4X36A**	*9MPV125	TDR&TXV	35,600	0.76	12.50	15.00			
	^EHD4X36A**	MV08B15****	TDR&TXV	35,400	0.76	12.50	15.00			
	^EHD4X36A**	MV12F19****	TDR&TXV	35,600	0.76	12.50	15.00			
	^EHD4X36A**	MV16J22****	TDR&TXV	36,000	0.76	12.50	15.00			
	^EHD4X36A**	MV20N26****	TDR&TXV	36,000	0.76	12.50	15.00			
	^EHD4X42A**	†	TXV	35,400	0.76	12.00		14.00		
	^EHD4X42A**	*8MPV075	TDR&TXV	35,800	0.76	12.50	15.00			
	^EHD4X42A**	*8MPV100	TDR&TXV	35,800	0.76	12.50	15.00			

^ Indicates ENERGY STAR compliance for combinations with both: SEER 14.0 or higher and EER 11.5 or higher.

† For coils not listed with a matching furnace or blower, coil rating applies with any indoor blower device

- continued on next page -

COOLING PERFORMANCE FOR COMBINATION RATINGS (continued)										
Indoor Models										
Outdoor Model	Current Indoor Model († tested combo)	Furnace Model	Factory Installed	Cooling (95 °F)			SEER			
				BTU/hr	S/T	EER	factory	w/ field TDR	w/ field R-410A TXV	w/ field R-410A TXV+TDR
T4A436GKA (continued)	^EHD4X42A**	*8MPV125	TDR&TXV	35,800	0.76	12.50	15.00			
	^EHD4X42A**	*9MPV075	TDR&TXV	35,600	0.76	12.20	14.50			
	^EHD4X42A**	*9MPV100	TDR&TXV	35,800	0.76	12.50	15.00			
	^EHD4X42A**	*9MPV125	TDR&TXV	36,000	0.76	12.50	15.00			
	^EHD4X42A**	MV08B15****	TDR&TXV	35,800	0.76	12.50	15.00			
	^EHD4X42A**	MV12F19****	TDR&TXV	35,800	0.76	12.50	15.00			
	^EHD4X42A**	MV16J22****	TDR&TXV	36,000	0.76	12.50	15.00			
	^EHD4X42A**	MV20N26****	TDR&TXV	36,000	0.76	12.50	15.00			
	^EHD4X48A**	†	TXV	35,800	0.76	12.00		14.00		
	EMA4X36D**	†	TXV	35,000	0.76	11.70		13.50		
	^EMA4X48D**	†	TXV	34,800	0.76	12.00		14.00		
	^FEM4X36****	†	TDR&TXV	36,400	0.76	12.50	15.00			
	FEM4X36****	†	TDR&TXV		0.76	13.25				
	^FEM4X42****	†	TDR&TXV	36,200	0.76	12.50	15.00			
	FEM4X42****	†	TDR&TXV		0.76	12.75				
	^FS(M,U)4X42****	†	TDR&TXV	35,600	0.76	11.90	14.00			
	^FSM4X36****	†	TDR&TXV	35,800	0.76	12.00	14.00			
	FSU4X36****	†	TDR&TXV	34,800	0.76	11.70	13.50			
	^FVM4X36****	†	TDR&TXV	35,000	0.76	12.50	15.00			
	^FVM4X48****	†	TDR&TXV	36,200	0.76	13.00	15.00			
T4A442GKA	^†ED*4X48J**	†	TXV	41,500	0.76	11.9		14.00		
	ED*4X42F**	†	TXV	40,500	0.76	11.50		13.50		
	^ED*4X42F**	*8MPV075	TDR&TXV	40,500	0.76	11.70	14.00			
	^ED*4X42F**	*9MPV075	TDR&TXV	40,000	0.76	11.50	14.00			
	ED*4X42J**	†	TXV	40,500	0.76	11.70		13.50		
	^ED*4X42J**	*8MPV100	TDR&TXV	41,000	0.76	12.20	14.50			
	^ED*4X42J**	*8MPV125	TDR&TXV	41,000	0.76	12.20	14.50			
	^ED*4X42J**	MV16J22****	TDR&TXV	41,000	0.76	12.50	15.00			
	ED*4X42L**	†	TXV	40,500	0.76	11.70		13.50		
	^ED*4X42L**	*9MPV125	TDR&TXV	41,000	0.76	12.20	14.50			
	^ED*4X48F**	†	TXV	40,500	0.76	12.00		14.00		
	^ED*4X48J**	*8MPV100	TDR&TXV	41,500	0.76	12.50	15.00			
	^ED*4X48J**	*8MPV125	TDR&TXV	41,500	0.76	12.50	15.00			
	^ED*4X48J**	*9MPV100	TDR&TXV	41,500	0.76	12.20	14.50			
	^ED*4X48J**	MV16J22****	TDR&TXV	41,500	0.76	12.50	15.00			
	^ED*4X48L**	†	TXV	41,500	0.76	11.90		14.00		
	^ED*4X48L**	*9MPV125	TDR&TXV	42,000	0.76	12.20	14.50			
	^ED*4X60J**	†	TXV	41,500	12.00			14.00		
	^ED*4X60L**	†	TXV	42,000	12.00			14.00		
	^EHD4X42A**	†	TXV	40,500	0.76	11.90		14.00		
	^EHD4X42A**	*8MPV100	TDR&TXV	41,000	0.76	12.50	15.00			
	^EHD4X42A**	*8MPV125	TDR&TXV	41,000	0.76	12.20	14.50			
	^EHD4X42A**	*9MPV100	TDR&TXV	41,000	0.76	12.20	14.50			
	^EHD4X42A**	*9MPV125	TDR&TXV	41,000	0.76	12.20	14.50			
	^EHD4X42A**	MV16J22****	TDR&TXV	41,000	0.76	12.50	15.00			
	^EHD4X42A**	MV20N26****	TDR&TXV	41,000	0.76	12.50	15.00			
	^EHD4X48A**	†	TXV	41,500	0.76	12.00		14.00		

^ Indicates ENERGY STAR compliance for combinations with both: SEER 14.0 or higher and EER 11.5 or higher.

† For coils not listed with a matching furnace or blower, coil rating applies with any indoor blower device

- continued on next page -

COOLING PERFORMANCE FOR COMBINATION RATINGS (continued)										
Indoor Models										
Outdoor Model	Current Indoor Model († tested combo)	Furnace Model	Factory Installed	Cooling (95 °F)			SEER			
				BTU/hr	S/T	EER	factory	w/ field TDR	w/ field R-410A TXV	w/ field R-410A TXV+TDR
T4A442GKA (continued)	^EHD4X48A**	*8MPV100	TDR&TXV	41,500	0.76	12.50	15.00			
	^EHD4X48A**	*8MPV125	TDR&TXV	41,500	0.76	12.50	15.00			
	^EHD4X48A**	*9MPV100	TDR&TXV	41,500	0.76	12.20	14.50			
	^EHD4X48A**	*9MPV125	TDR&TXV	41,500	0.76	12.20	14.50			
	^EHD4X48A**	MV16J22****	TDR&TXV	41,500	0.76	12.50	15.00			
	^EHD4X48A**	MV20N26****	TDR&TXV	41,500	0.76	12.50	15.00			
	^EHD4X60A**	†	TXV	42,000	12.00			14.00		
	^EMA4X48D**	†	TXV	40,500	0.76	11.80		14.00		
	^FEM4X42****	†	TDR&TXV	41,500	0.76	12.20	14.50			
	FEM4X42****	†	TDR&TXV		0.76	12.30				
	^FEM4X48****	†	TDR&TXV	42,500	0.76	12.50	15.00			
	FEM4X48****	†	TDR&TXV		0.76	12.70				
	FS(M,U)4X42****	†	TDR&TXV	41,000	0.76	11.70	13.50			
	^FS(M,U)4X48****	†	TDR&TXV	41,500	0.76	11.90	14.00			
	^FVM4X48****	†	TDR&TXV	42,000	0.76	13.00	15.00			
T4A448GKB	^†ED*4X60L**	†	TXV	49,000	0.73	12		14.00		
	^ED*4X48F**	†	TXV	47,000	0.73	11.70		14.00		
	ED*4X48J**	†	TXV	48,000	0.73	11.70		13.50		
	^ED*4X48J**	*8MPV100	TDR&TXV	48,000	0.73	12.20	14.50			
	^ED*4X48J**	*8MPV125	TDR&TXV	48,000	0.73	12.20	14.50			
	^ED*4X48J**	*9MPV100	TDR&TXV	47,500	0.73	11.70	14.00			
	^ED*4X48J**	MV16J22**B*	TDR&TXV	48,000	0.73	12.50	15.00			
	ED*4X48L**	†	TXV	47,500	0.73	11.70		13.50		
	^ED*4X48L**	*9MPV125	TDR&TXV	48,000	0.73	12.00	14.00			
	^ED*4X48L**	MV20L24**B*	TDR&TXV	48,000	0.73	12.50	15.00			
	^ED*4X60J**	†	TXV	48,000	0.73	12.00		14.00		
	^ED*4X60J**	*8MPV100	TDR&TXV	48,000	0.73	12.20	14.50			
	^ED*4X60J**	*8MPV125	TDR&TXV	48,000	0.73	12.50	15.00			
	^ED*4X60J**	*9MPV100	TDR&TXV	48,000	0.73	12.20	14.50			
	^ED*4X60L**	*9MPV125	TDR&TXV	45,500	0.73	12.20	14.50			
	^EHD4X48A**	†	TXV	48,500	0.73	11.70		14.00		
	^EHD4X48A**	*8MPV100	TDR&TXV	48,000	0.73	12.20	14.50			
	^EHD4X48A**	*8MPV125	TDR&TXV	48,000	0.73	12.20	14.50			
	^EHD4X48A**	*9MPV100	TDR&TXV	47,500	0.73	11.70	14.00			
	^EHD4X48A**	*9MPV125	TDR&TXV	48,000	0.73	12.00	14.00			
	^EHD4X48A**	MV16J22**B*	TDR&TXV	48,000	0.73	12.50	15.00			
	^EHD4X48A**	MV20L24**B*	TDR&TXV	48,000	0.73	12.50	15.00			
	^EHD4X60A**	†	TXV	48,000	0.73	12.00		14.00		
	^EHD4X60A**	*8MPV100	TDR&TXV	48,000	0.73	12.20	14.50			
	^EHD4X60A**	*8MPV125	TDR&TXV	48,000	0.73	12.50	15.00			
	^EHD4X60A**	*9MPV100	TDR&TXV	48,000	0.73	12.20	14.50			
	^EHD4X60A**	*9MPV125	TDR&TXV	48,000	0.73	12.20	14.50			
	EMA4X48D**	†	TXV	47,000	0.73	11.70		13.50		
	^FEM4X48****	†	TDR&TXV	49,000	0.73	12.20	14.50			
	^FEM4X60****	†	TDR&TXV	49,500	0.73	12.50	15.00			
	^FVM4X48****	†	TDR&TXV	48,500	0.73	12.50	15.00			

^ Indicates ENERGY STAR compliance for combinations with both: SEER 14.0 or higher and EER 11.5 or higher.

† For coils not listed with a matching furnace or blower, coil rating applies with any indoor blower device

- continued on next page -

COOLING PERFORMANCE FOR COMBINATION RATINGS (continued)										
Indoor Models										
Outdoor Model	Current Indoor Model (‡ tested combo)	Furnace Model	Factory Installed	Cooling (95 °F)			SEER			
				BTU/hr	S/T	EER	factory	w/ field TDR	w/ field R-410A TXV	w/ field R-410A TXV+TDR
T4A460GKA	^‡ED*4X60L**	†	TXV	58,500	0.77	11.8		14.00		
	^ED*4X60J**	†	TXV	57,500	0.77	11.80		14.00		
	^EHD4X60A**	†	TXV	58,500	0.77	11.80		14.00		
	^EHD4X60A**	MV20N26****	TDR&TXV	60,000	0.77	12.20	14.50			
	^FEM4X60****	†	TDR&TXV	59,000	0.77	12.20	14.50			
	FS(M,U)4X60****	†	TDR&TXV	58,000	0.77	11.60	13.50			
	^FVM4X60****	†	TDR&TXV	59,000	0.77	12.20	14.50			

^ Indicates ENERGY STAR compliance for combinations with both: SEER 14.0 or higher and EER 11.5 or higher.
 † For coils not listed with a matching furnace or blower, coil rating applies with any indoor blower device

OUTDOOR UNIT MODEL NUMBER IDENTIFICATION GUIDE (single phase)											
Digit Position:	1	2	3	4	5, 6	7	8	9	10	11	12
Example Part Number:	T	4	A	4	18	G	K	A	1	0	0
T = Tempstar Mainline N = Tempstar Entry BRANDING											
2 = R-22 4 = R-410A REFRIGERANT											
A = Air Conditioner H = Heat Pump TYPE											
3 = 13 SEER 4 = 14 SEER 5 = 15 SEER 6 = 16 SEER 7 = 17 SEER 8 = 18 SEER NOMINAL EFFICIENCY											
18 = 18,000 BTUH = 1½ tons 24 = 24,000 BTUH = 2 tons 30 = 30,000 BTUH = 2½ tons 36 = 36,000 BTUH = 3 tons 42 = 42,000 BTUH = 3½ tons 48 = 48,000 BTUH = 4 tons 60 = 60,000 BTUH = 5 tons NOMINAL CAPACITY											
A = Standard Grille G = Coil Guard Grille C = Coastal FEATURES											
K = 208/230-1-60 VOLTAGE											
Sales Code											
Engineering Revision											
Extra Digit											
Extra Digit											

ACCESSORIES PART NUMBER IDENTIFICATION GUIDE									
Digit Position:	1	2	3	4	5	6, 7	8, 9	10, 11	
Example Part Number:	N	A	S	A	0	01	01	CH	
N = Non-Branded BRANDING									
A = Accessory PRODUCT GROUP									
S = Split System (AC & HP) KIT USAGE									
A = Original B = 2nd Generation MAJOR SERIES									
0 = Generic or Not Applicable 2 = R-22 4 = R-410A REFRIGERANT									
Product Identifier Number									
Package Quantity									
Type of Kit (Example: CH = Crankcase Heater)									