

Up to 95% AFUE, Single Stage, Ultra Low NOx, ECM Gas Furnace

EASIER TO SELL

- Up to 95% AFUE
- Fixed-Speeds, Constant Torque ECM blower motor
- Supports single-stage cooling units
- Insulated heat exchanger and blower compartment
- Ultra Low NOx - meets the nitrogen oxides (NOx) emission limit of 14 nanograms/joule for the South Coast Air Quality Management District and San Joaquin Valley Air Pollution Control District in California.
- Cabinet air leakage less than 2.0% at 1.0 in. W.C. and cabinet air leakage less than 1.4% at 0.5 in. W.C. when tested in accordance with ASHRAE standard 193

TOUGHER

- Stainless steel tubular heat exchanger
- Stainless steel secondary heat exchanger
- Enclosed pre-mix burner with variable speed inducer
- Adjustable heating blower OFF delay
- Factory set blower ON delay
- High temperature limit control prevents overheating
- Pilot free, hot surface ignitor
- High quality, corrosion-resistant, prepainted steel cabinet

EASIER TO INSTALL AND SERVICE

- Direct vent (2-pipe), single-pipe venting or ventilated combustion air
- 35" (889mm) high, for ease of installation
- Quarter turn knobs for easy door removal and secure attachment
- Three position - upflow and horizontal (left/right) installation
- Concentric vent available
- Self diagnostics with super bright LED
- Slide out blower assembly with extra long harness

LIMITED WARRANTY *

- 20 year heat exchanger limited warranty
- 5 year parts limited warranty
 - With timely registration, an additional 5 year parts limited warranty
- * For residential applications only. See warranty certificate for complete details and restrictions, including warranty coverage for other applications.



Illustrations and photographs are only representative. Some product models may vary.

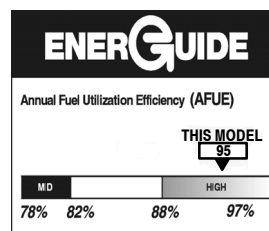
WARNING

CARBON MONOXIDE POISONING AND FIRE HAZARD

Failure to follow this warning could result in personal injury, death, and/or property damage.

This furnace is not designed for use in recreation vehicles or outdoors. This furnace is not designed for use in manufactured (Mobile) homes.

Failure to follow this warning could result in personal injury, death, and/or property damage.



ISO 9001
Quality



Use of the AHRI Certified TM Mark indicates a manufacturer's participation in the program. For verification of certification for individual products, go to www.ahridirectory.org.



Model Number	Input (BTUH)	AFUE (up to)	ENERGY STAR®	Cooling Capacity CFM range @ .5 in. w.c. (125 Pa)	Dimensions H x W x D Inches (Millimeters)	Shipping Wt. Lbs (Kg)
		UPFLOW/ HORIZONTAL				
N95ESU0601716A	60,000	95.0%	✓	765 - 1515	35 x 17-1/2 x 29-1/2 (889 x 445 x 750)	149.4 (67.8)
N95ESU0802120A	80,000	95.0%	✓	570 - 2025	35 x 21 x 29-1/2 (889 x 533 x 750)	167.4 (75.9)

MODEL NUMBER IDENTIFICATION GUIDE										
DIGIT POSITION	1	2,3	4	5	6	7-9	10,11	12,13	14	15
F, G, N, R BRAND										MINOR SERIES 1, 2, 3...
										MAJOR SERIES A, B, C...
80 - 80% AFUE	EFFICIENCY									08 = 800 CFM
92 - 92% AFUE										10 = 1000 CFM
95 - 95% AFUE										12 = 1200 CFM
96 - 96% AFUE										14 = 1400 CFM
97 - 97% AFUE	16 = 1600 CFM	18 = 1800 CFM								
C = Constant Airflow Variable-Speed ECM	MOTOR TYPE									20 = 2000 CFM
E = Discrete Tapped ECM										22 = 2200 CFM
P = PSC										026 = 26,000 BTU/h
V = Variable Speed PWM										040 = 40,000 BTU/h
M - Modulating	HEATING STAGES									045 = 45,000 BTU/h
S - Single Stage									
T - Two Stage										14 = 14.2"
L = Low Nox										17 = 17.5"
M = Mobile/Manufactured Home	FEATURE									21 = 21.0"
N = Standard Nox										24 = 24.5"
U = Ultra Low Nox										

A190340

AIR DELIVERY - CFM (with filter)												
UNIT SIZE	SPEED TAP	WIRE LEAD COLOR	EXTERNAL STATIC PRESSURE (IN.W.C.)									
			0.1	0.2	0.3	0.4	0.5	0.6	0.7	0.8	0.9	1.0
0601716	Cooling. Do not use for Heating	Gray	1670	1635	1595	1555	1515	1475	1435	1395	1360	1315
	Alt. Cooling. Do not use for Heating	Yellow	1465	1420	1385	1345	1310	1265	1225	1180	1135	1095
	Heating or Alt. Cooling	Blue	1215	1170	1125	1085	1050	1005	965	925	880	830
	Alt. Heating or Alt. Cooling	Orange	1120	1065	1025	980	940	900	860	815	770	720
	Alt. Cooling. Do not use for Heating	Red	945	895	855	805	765	715	670	625	570	530
0802120	Cooling. Do not use for Heating	Gray ^{4,5}	2165	2135	2115	2070	2025	1980	1930	1885	1835	1790
	Heating or Alt. Cooling	Blue ^{4,5}	1800	1755	1715	1670	1620	1575	1525	1475	1425	1380
	Alt. Heating or Alt. Cooling	Yellow	1645	1595	1550	1510	1460	1410	1365	1315	1265	1220
	Alt. Cooling. Do not use for Heating	Orange	1505	1450	1410	1360	1310	1265	1215	1170	1120	1080
	Alt. Cooling. Do not use for Heating	Red ⁶	885	785	705	645	570	495	430	360	295	-

NOTE:

1. A filter is required for each return-air inlet. Airflow performance includes a 3/4-in. (19 mm) washable filter media such as contained in a factory-authorized accessory filter rack. See accessory list in sheet. To determine airflow performance without this filter, assume an additional 0.1 in. w.c. available external static pressure.
2. **ADJUST THE BLOWER SPEED TAPS AS NECESSARY FOR THE PROPER AIR TEMPERATURE RISE FOR EACH INSTALLATION.**
3. Shaded areas indicate that this airflow range is BELOW THE RANGE ALLOWED FOR HEATING OPERATION. These airflow ranges may only be used for COOLING.
4. Airflows over 1800 CFM require bottom return, two-side return, or bottom and side return. A minimum filter size of 20" x 25" (508 x 635 mm) is required.
5. For upflow applications, air entering from one side into both the side of the furnace and a return air base counts as a side and bottom return.
6. The "-" entry indicates an unstable operating condition.

PHYSICAL DATA			
Heating Capacity and Efficiency		0601716	0802120
Input	Heating (BTUH)	60,000	80,000
Output	Heating (BTUH)	58,000	78,000
Certified Temperature Rise Range °F (°C)	Heating	30 - 60 (17 - 33)	30 - 60 (17 - 33)
Airflow Capacity and Blower Data			
Rated External Static Pressure (in. w.c.)	Heating	0.12	0.12
	Cooling	0.5	0.5
Airflow Delivery @ Rated ESP (CFM)	Heating	1205	1790
	Cooling	1515	2025
Cooling Capacity (tons) @ CFM/ton	400 CFM/ton	3.5	5
	350 CFM/ton	4	5.5
Direct-Drive Motor Type	Electronically Commutated Motor (ECM)		
Direct-Drive Motor HP		3/4	1
Motor Full Load Amps		8.8	11.5
RPM Range		570 - 1400	570 - 1400
Speed Selections		5	5
Blower Wheel Dia x Width	in.	11 x 8	11 x 10
Filter Used for Certified Watt Data	NAHB00*06FB		
Electrical Data			
Input Voltage	Volts - Hertz - Phase	115 - 60 - 1	
Operating Voltage Range	Min - Max	104 - 127	
Maximum Input Amps	Amps	10.9	13.6
Unit Ampacity	Amps	14.2	17.6
Minimum Wire Size	AWG	14	12
Maximum Wire Length@ Minimum Wire Size	Feet	26.2	32.8
Maximum Fuse/Ckt Bkr (Time - Delay Type Recommended)	Amps	15	20
Transformer Capacity (24 VAC output)		40 VA	
External Control Power Available	Heating	21.8 VA	
	Cooling	34 VA	
Controls			
Gas Connection Size		1/2" - NPT	
Gas Valve (Redundant)	Manufacturer	White Rodgers	
Minimum Inlet Gas pressure (in. wc)		4.50	
Maximum Inlet Gas pressure (in. wc)		13.60	
Manufactured (Mobile) Home Kit		Not approved for Manufactured Home use	
Ignition Device		Silicon Nitride	
Heating Blower Control (Heating Off-Delay)		Adjustable: 90, 120, 150, 180 seconds	
Cooling Blower Control (Time Delay Relay)		90 seconds	
Communication System		none	
Thermostat Connections		Com 24V, R, W, G, Y	
Accessory Connections		EAC (115vac); HUM (115vac); 1-stg AC (via Y)	

MINIMUM CLEARANCES TO COMBUSTIBLE MATERIALS FOR ALL UNITS	
POSITION	CLEARANCE
Rear	1 in.
Front (Combustion air openings in furnace and in structure)	1 in.
Required for service	24 in*
All Sides of Supply Plenum	1 in
Sides	1 in.**
Vent	0
Top of Furnace	1 in.

* Consult your local building codes.

** Additional clearance is required for condensate trap installation.

INSTALLATION CONSIDERATIONS

Refer to Installation Instructions for complete installation requirements.

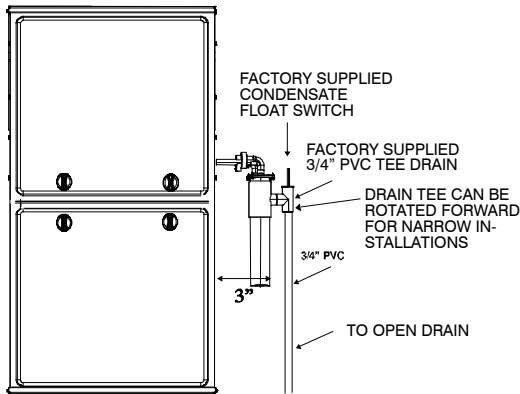
Evaporator Coil Spacer or Shield Requirements

Type of Coil	Install Flush to Furnace	Install with 8-in. Spacer	Install with Metal Shield
Furnace Manufacturer's N Coil	Allowed	Not Required	Not Required
Furnace Manufacturer's A Coil	Not Allowed	Allowed	Allowed (See Note 2)
3rd Party Coil – Factory Shielded (See Note 1)	Allowed	Not Required	Not Required
3rd Party Coil – Unshielded	Not Allowed	Allowed	Allowed (See Note 3)

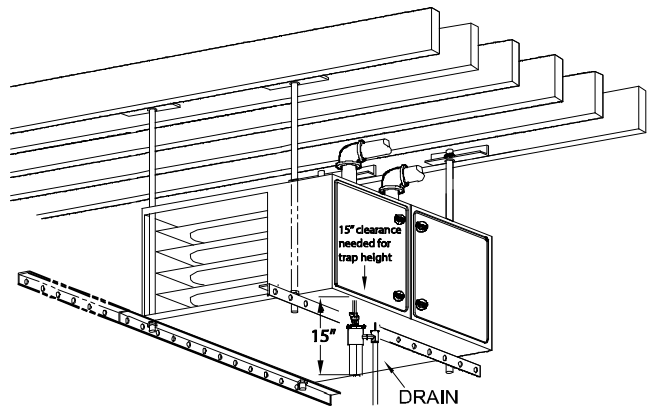
NOTE:

- 3rd Party Coils that are factory-supplied with a metallic shield over the plastic composite drain pan must completely shield all plastic composite materials from direct exposure to any part of the heat exchanger. Consult with 3rd Party Manufacturer to ensure coil is properly shielded. Coils that are only partially shielded should be treated as un-shielded and require a spacer.
- Field-fabricated metallic shield must completely shield all plastic composite materials from direct exposure to any part of the heat exchanger. Coils that are only partially shielded should be treated as un-shielded and require a spacer.
- For 3rd party unshielded coils, consult manufacturer for design of a field-fabricated shield that completely shields all plastic composite materials from direct exposure to any part of the heat exchanger.

CONDENSATE TRAP CLEARANCES

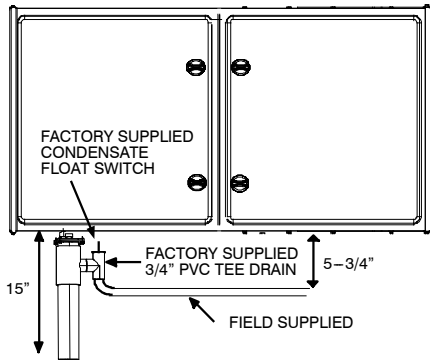


Representative drawing only, some models may vary.



Representative drawing only, some models may vary.

Trap Clearance in Upflow Application



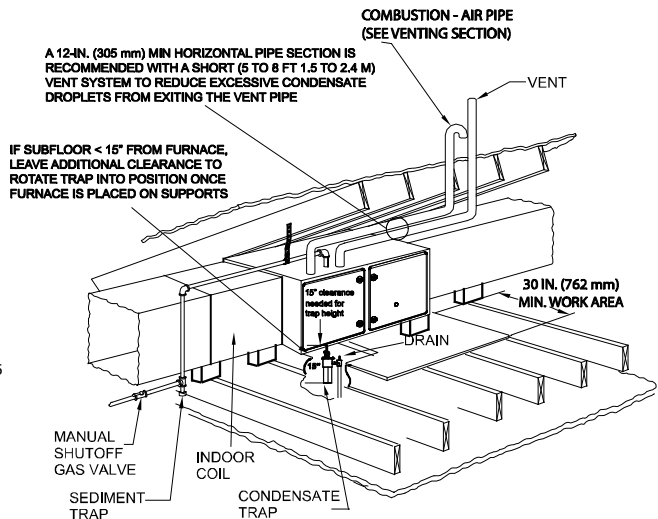
Representative drawing only, some models may vary.

15" Trap Clearance in Horizontal Application (Note: Drain line can be run horizontally or vertically)

A190317

A190356

15" Trap Clearance in Horizontal Application



Representative drawing only, some models may vary.

A190315

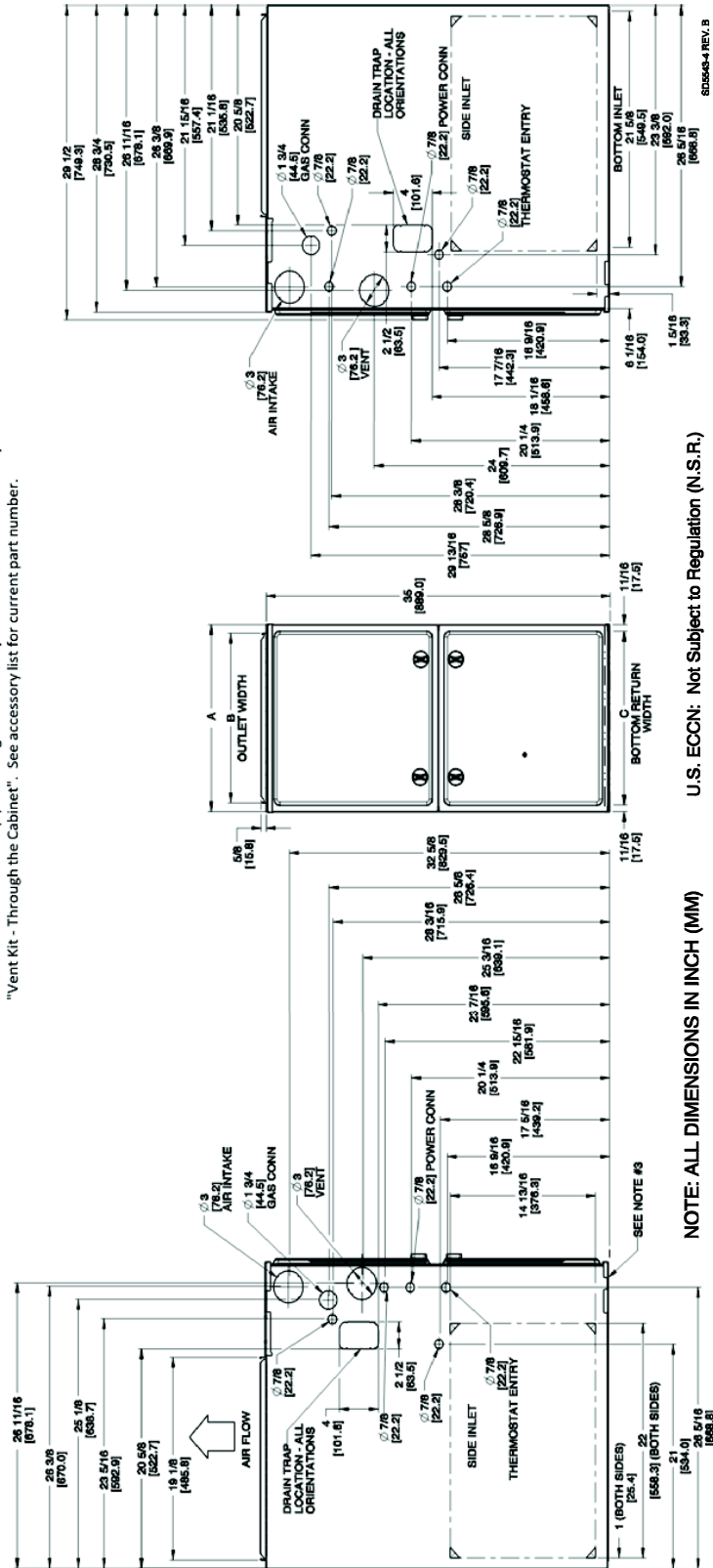
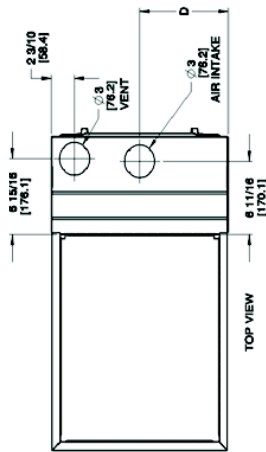
A190318

Working Platform for Attic Installation

UNIT DIMENSIONS

NOTES:

1. Doors may vary by model.
2. Minimum return-air openings at furnace, based on metal duct. If flex duct is used, see flex duct manufacturer's recommendations or equivalent diameters.
 - a. For 800 CFM-16-in. (406 mm) round or 14 1/2 x 12-in. (368 x 305 mm) rectangle.
 - b. For 1200 CFM-20-in. (508 mm) round or 14 1/2 x 19 1/2-in. (368 x 495 mm) rectangle.
 - c. For 1600 CFM-22-in. (559 mm) round or 14 1/2 x 22 1/16-in. (368 x 560 mm) rectangle.
- d. Return air above 1800 CFM at 0.5 in. w.c. ESP on 24.5" casing, requires one of the following configurations: 2 sides, 1 side and a bottom or bottom only. See Air Delivery table in this document for specific use to allow for sufficient airflow to the furnace.
3. Vent and Combustion air pipes through blower compartment must use accessory "Vent Kit - Through the Cabinet". See accessory list for current part number.



U.S. ECCN: Not Subject to Regulation (N.I.S.R.)

NOTE: ALL DIMENSIONS IN INCH (MM)

A190253

FURNACE SIZE	A	B	C	D	SHIP WT. LB (KG)
	CABINET WIDTH	OUTLET WIDTH	BOTTOM INLET WIDTH	AIR INTAKE	
0601716	17-1/2 (445)	15-7/8 (403)	16 (406)	8-3/4 (222)	149.4 (67.8)
0802120	21 (533)	19-3/8 (492)	19-1/2 (495)	10-1/2 (267)	167.4 (75.9)

ACCESSORIES				
PART NUMBER	COMPONENT NAME	DESCRIPTION	0601716	0802120
NAHA00110DA	DRAIN ACCESSORY	1/2" CPVC to 3/4" PVC (10 PACK)	X	X
NAHA002CV	VENT TERMINATION KIT	2" CONCENTRIC VENT	X	X
NAHA001CV		3" CONCENTRIC VENT	X	X
NAHA00101VC	INTERNAL VENT KIT	THROUGH THE CABINET	X	X
NAHA00301VT	DIRECT VENT TERMINATION KIT	2" BRACKET	X	X
NAHA00401VT		3" BRACKET	X	X
NAHA00101CK	INLET AIR PIPE COUPLING	COUPLING FOR POLYPROPYLENE VENT SYSTEMS	X	X
NAHA00101HV	HORIZONTAL INSTALLATION KIT	TRAP GROMMET (direct Vent application only)	X	X
NAHA00101HH	CONDENSATE FREEZE PROTECT KIT	CONDENSATE DRAIN LINE TAPE	X	X
NAHA01101SB	FLOOR BASE KIT	COMBUSTIBLE FLOOR	X	X
1188594‡	GAS VALVE TOWER PORT ADAPTER KIT	ADAPTER FOR GAS VALVE	X	X
NAHA00506FB†	WASHABLE FILTER PACK	WASHABLE FILTER 1" X 16" x 25" (6 pack)	X	
NAHA00706FB		WASHABLE FILTER 1" X 24" x 25" (6 pack)		X
NAHB00601FF	EXTERNAL BOTTOM FILTER RACK	17-1/2" x 25" washable filter included	X	
NAHB00701FF		21" x 25" washable filter included		X
NAHA01701RA	RETURN AIR KIT	17-1/2" wide	X	
NAHA02101RA		21" wide		X
NAHA001NK	CONDENSATE NEUTRALIZER KIT	NEUTRALIZES CONDENSATE	X	X
Coil Adapter Kits (see Installation Instructions for coil requirements)				
NAHB00101CA	COIL ADAPTER KIT	WITH NO OFFSET	X	X
NAHB00201CA	COIL ADAPTER KIT	WITH SINGLE OFFSET	X	X
NAHB00301CA		WITH DOUBLE OFFSET	X	X

X Accessory available
 † Suitable for 17 inch external bottom filter rack.
 ‡ Order through FAST Parts.