

EXPANSION VALVE COILS

- 1–1/2 thru 5 Tons
- Tin plated copper tube / aluminum fin “A” coil with latest high–tech fin design
- Bolt–on TXV metering device factory installed on all models (equalizer tube brazed in)
- TXV and manifold positioned to the side for easier cleaning
- Innovative drain pan design for complete water removal
- Two condensate drain connections (Additional two for horizontal installation)
- 2–piece delta plate for easier removal and cleaning
- Cabinet widths match flush with ICP gas furnaces
- Removable front access panel
- Easy slide–out coil for inspection
- Hemmed flanges for safer handling
- Foil faced insulation
- Non–sweat cabinet, even at extreme conditions
- Cabinets meet or exceed 2% air leakage codes
- Sturdy, 22 gauge, pre–painted steel cabinet
- Multiposition installation – upflow, downflow, or horizontal
- Available for R–410A
- One or two UV light knock–outs provided on cabinet (depending on size)
- Industry exclusive tin coated copper main tubing for additional corrosion protection



Use of the AHRI Certified TM Mark indicates a manufacturer's participation in the program. For verification of certification for individual products, go to www.ahridirectory.org.



WARRANTY*

- 5 year parts limited warranty
 - With timely registration, an additional 5 year parts limited warranty

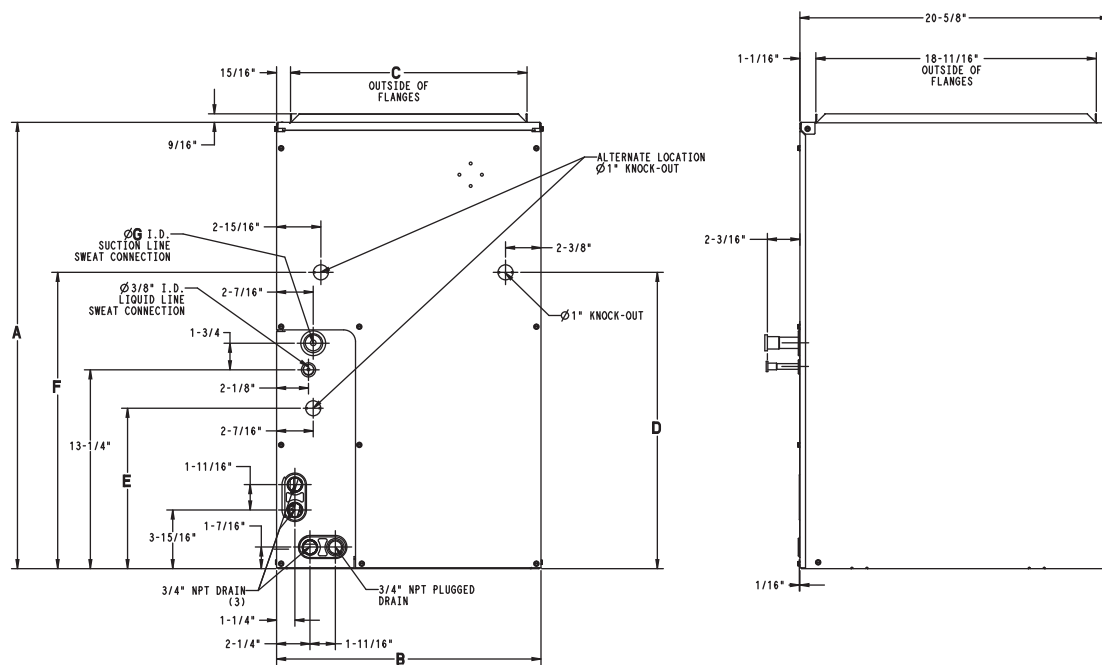
* Applies to original purchaser/homeowner, some limitations may apply. See Warranty certificate for complete details.

PRODUCT SPECIFICATONS

MODEL NUMBER	TONS	FLUSH FIT TO FURNACE WIDTH inches (mm)	COIL CONNECTION TUBE SIZE inches (mm)	
			Liquid	Suction
EAM4X18T14A	1–1/2	14–3/16 (360)	3/8	5/8
EAM4X24T14A	2	14–3/16 (360)	3/8	5/8
EAM4X24T17A	2	17–1/2 (445)	3/8	5/8
EAM4X30T14A	2–1/2	14–3/16 (360)	3/8	3/4
EAM4X30T17A	2–1/2	17–1/2 (445)	3/8	3/4
EAM4X36T14A	3	14–3/16 (360)	3/8	3/4
EAM4X36T17A	3	17–1/2 (445)	3/8	3/4
EAM4X36T21A	3	21 (533)	3/8	3/4
EAM4X42T21A	3–1/2	21 (533)	3/8	7/8
EAM4X42T24A	3–1/2	24–1/2 (622)	3/8	7/8
EAM4X48T17A	4	17–1/2 (445)	3/8	7/8
EAM4X48T21A	4	21 (533)	3/8	7/8
EAM4X48T24A	4	24–1/2 (622)	3/8	7/8
EAM4X60T21A	5	21 (533)	3/8	7/8
EAM4X60T24A	5	24–1/2 (622)	3/8	7/8

Specifications subject to change without notice.

COIL MODEL NUMBER IDENTIFICATION GUIDE										
DIGIT POSITION	1	2	3	4	5	6, 7	8	9, 10	11	12
	E	A	M	4	X	18	T	14	A	1
E = Evaporator										
A = A Coil		TYPE								
M = Cased, Multiposition (Upflow/Downflow/Horizontal)			INSTALLATION							
4 = Environmentally Sound R-410A			REFRIGERANT							
X = TXV			METERING DEVICE							
18 = 18,000 BTUH = 1-1/2 tons										
24 = 24,000 BTUH = 2 tons										
30 = 30,000 BTUH = 2-1/2 tons										
36 = 36,000 BTUH = 3 tons										
42 = 42,000 BTUH = 3-1/2 tons										
48 = 48,000 BTUH = 4 tons										
60 = 60,000 BTUH = 5 tons						NOMINAL CAPACITY				
T = Tin Coated Copper Tubes for Additional Corrosion Protection						HAIRPIN MATERIAL				
14 = 14-3/16"										
17 = 17-1/2"										
21 = 21"										
24 = 24-1/2"						WIDTH (matches furnace)				
Sales Digit (Major Revision)										
Engineering Digit (Minor Revision)										



DIMENSIONAL DATA

UNIT	A (IN.)	B (IN.)	C (IN.)	D (IN.)	E (IN.)	F (IN.)	G (IN.)	SHIPPING WT. (LBS.)
								Tin-Coated Hairpins (T)
EAM4X18T14A1	25-13/16	14-3/16	12-7/16	17-3/16	10-11/16	-	5/8	50.5
EAM4X24T14A1	25-13/16	14-3/16	12-7/16	17-3/16	10-11/16	-	5/8	52.5
EAM4X24T17A1	25-13/16	17-1/2	15-3/4	10-11/16	10-11/16	-	5/8	56.5
EAM4X30T14A1	25-13/16	14-3/16	12-7/16	17-3/16	-	19-3/4	3/4	58.0
EAM4X30T17A1	25-13/16	17-1/2	15-3/4	17-3/16	-	19-3/4	3/4	64.5
EAM4X36T14A1	29-3/4	14-3/16	12-7/16	19-3/4	-	19-3/4	3/4	65.0
EAM4X36T17A1	29-3/4	17-1/2	15-3/4	19-3/4	-	19-3/4	3/4	71.0
EAM4X36T21A1	29-3/4	21	19-1/4	19-3/4	-	19-3/4	3/4	73.0
EAM4X42T21A1	29-3/4	21	19-1/4	19-3/4	-	19-3/4	7/8	78.0
EAM4X42T24A1	29-3/4	24-1/2	22-3/4	19-3/4	-	19-3/4	7/8	82.0
EAM4X48T17A1	35	17-1/2	15-3/4	19-3/4	-	19-3/4	7/8	91.0
EAM4X48T21A1	29-3/4	21	19-1/4	19-3/4	-	19-3/4	7/8	84.0
EAM4X48T24A1	29-3/4	24-1/2	22-3/4	19-3/4	-	19-3/4	7/8	88.5
EAM4X60T21A1	35	21	19-1/4	19-3/4	-	19-3/4	7/8	96.0
EAM4X60T24A1	35	24-1/2	22-3/4	19-3/4	-	19-3/4	7/8	101.0

PERFORMANCE DATA

COOLING CAPACITIES (MBH) – R-410A REFRIGERANT

UNIT SIZE EAM4X	INDOOR COIL AIR		SATURATED TEMPERATURE LEAVING EVAPORATOR (°F)															
			30			35			40			45			50			
			TC	SHC	BF	TC	SHC	BF	TC	SHC	BF	TC	SHC	BF	TC	SHC	BF	
18T14	450	EWB	72	32.00	15.70	0.00	29.30	14.30	0.00	26.40	12.80	0.00	23.10	11.30	0.00	19.50	9.70	0.01
		72	67	26.80	16.10	0.01	24.10	14.60	0.01	21.10	13.10	0.01	17.80	11.50	0.02	14.20	9.90	0.02
		62	72	22.10	16.50	0.02	19.30	14.90	0.02	16.40	13.40	0.02	13.20	11.80	0.02	10.30	10.30	0.05
	600	EWB	72	39.20	19.10	0.00	36.00	17.40	0.00	32.30	15.70	0.00	28.30	13.90	0.02	23.80	12.00	0.02
		72	67	32.90	19.90	0.03	29.60	18.20	0.03	25.90	16.30	0.03	21.90	14.40	0.03	17.40	12.50	0.03
		62	72	27.20	20.60	0.04	23.80	18.80	0.04	20.20	16.90	0.04	16.30	15.00	0.04	13.20	13.20	0.09
	750	EWB	72	45.10	21.90	0.00	41.40	20.10	0.00	37.20	18.20	0.02	32.60	16.10	0.04	27.40	14.00	0.04
		72	67	38.00	23.20	0.05	34.20	21.20	0.05	29.90	19.10	0.05	25.20	17.00	0.05	20.00	14.70	0.06
		62	72	31.50	24.20	0.06	27.60	22.10	0.06	23.40	20.00	0.06	19.10	17.90	0.06	15.70	15.70	0.13
24T14 24T17	600	EWB	72	39.40	19.20	0.00	36.30	17.60	0.00	32.80	15.90	0.00	28.90	14.10	0.00	24.50	12.20	0.01
		72	67	33.10	20.00	0.01	29.90	18.20	0.01	26.30	16.40	0.01	22.40	14.50	0.02	17.90	12.60	0.02
		62	72	27.40	20.50	0.02	24.10	18.70	0.02	20.50	16.90	0.02	16.60	15.00	0.02	13.10	13.10	0.05
	800	EWB	72	47.70	23.20	0.00	44.00	21.40	0.00	39.80	19.40	0.00	35.10	17.30	0.02	29.80	15.10	0.02
		72	67	40.30	24.50	0.03	36.40	22.50	0.03	32.10	20.40	0.03	27.30	18.10	0.03	21.80	15.80	0.03
		62	72	33.40	25.50	0.04	29.50	23.40	0.04	25.10	21.20	0.04	20.50	19.00	0.04	16.70	16.70	0.09
	1000	EWB	72	54.30	26.40	0.00	50.20	24.40	0.00	45.40	22.30	0.02	40.10	20.00	0.04	34.00	17.50	0.04
		72	67	46.00	28.20	0.05	41.70	26.10	0.05	36.80	23.70	0.05	31.20	21.20	0.05	25.00	18.60	0.05
		62	72	38.30	29.80	0.05	33.80	27.50	0.06	28.90	25.10	0.06	23.80	22.60	0.06	19.90	19.90	0.14
30T14 30T17	750	EWB	72	49.10	24.00	0.00	45.00	21.90	0.00	40.50	19.70	0.00	35.50	17.40	0.00	30.00	15.00	0.01
		72	67	41.20	24.80	0.01	37.00	22.50	0.02	32.40	20.20	0.02	27.40	17.80	0.02	21.90	15.30	0.02
		62	72	34.00	25.40	0.02	29.70	23.00	0.02	25.10	20.60	0.02	20.30	18.30	0.02	16.00	16.00	0.06
	1000	EWB	72	59.90	29.10	0.00	55.00	26.70	0.00	49.50	24.10	0.00	43.30	21.30	0.02	36.50	18.40	0.03
		72	67	50.40	30.50	0.03	45.30	27.90	0.04	39.70	25.10	0.04	33.50	22.20	0.04	26.70	19.20	0.04
		62	72	41.70	31.60	0.04	36.50	28.80	0.04	30.90	26.00	0.04	25.00	23.10	0.05	20.30	20.30	0.10
	1250	EWB	72	68.80	33.40	0.00	63.20	30.70	0.00	56.80	27.80	0.03	49.70	24.70	0.04	41.90	21.40	0.05
		72	67	58.00	35.40	0.06	52.20	32.40	0.06	45.70	29.30	0.06	38.50	26.00	0.06	30.60	22.60	0.07
		62	72	48.00	37.00	0.07	42.10	33.90	0.07	35.70	30.70	0.07	29.20	27.50	0.07	24.20	24.20	0.14
36T14 36T17 36T21	900	EWB	72	60.30	29.40	0.00	55.40	26.90	0.00	49.90	24.30	0.00	43.80	21.50	0.01	37.00	18.60	0.02
		72	67	50.70	30.60	0.02	45.70	27.90	0.03	40.10	25.10	0.03	33.90	22.20	0.03	27.00	19.20	0.03
		62	72	41.90	31.50	0.03	36.70	28.70	0.03	31.10	25.80	0.03	25.10	22.90	0.04	20.00	20.00	0.08
	1200	EWB	72	72.40	35.10	0.00	66.50	32.30	0.00	59.90	29.30	0.02	52.50	26.00	0.04	44.30	22.60	0.05
		72	67	61.00	37.10	0.05	55.00	34.00	0.06	48.20	30.70	0.06	40.70	27.30	0.06	32.40	23.70	0.06
		62	72	50.50	38.80	0.06	44.30	35.50	0.06	37.60	32.10	0.06	30.60	28.70	0.07	25.20	25.20	0.13
	1500	EWB	72	82.20	39.90	0.00	75.60	36.90	0.02	68.10	33.50	0.05	59.70	29.90	0.07	50.40	26.10	0.08
		72	67	69.40	42.70	0.08	62.60	39.30	0.08	55.00	35.70	0.08	46.40	31.80	0.09	37.00	27.80	0.09
		62	72	57.70	45.10	0.09	50.70	41.40	0.09	43.10	37.70	0.09	35.50	34.00	0.10	29.80	29.80	0.18
42T21 42T24	1050	EWB	72	75.00	36.40	0.00	69.30	33.70	0.00	62.60	30.60	0.01	55.10	27.40	0.02	46.90	24.00	0.03
		72	67	63.30	38.80	0.03	57.20	35.70	0.03	50.50	32.50	0.03	42.90	29.00	0.04	33.50	25.00	0.04
		62	72	52.60	40.80	0.04	46.40	37.60	0.04	39.50	34.10	0.04	32.00	30.40	0.05	26.40	26.40	0.14
	1400	EWB	72	87.10	42.50	0.00	80.60	39.50	0.03	73.00	36.20	0.04	64.20	32.50	0.05	54.40	28.60	0.06
		72	67	73.80	46.10	0.06	66.90	42.70	0.06	58.90	39.00	0.07	50.10	35.20	0.07	40.00	30.90	0.07
		62	72	61.40	49.30	0.07	54.40	45.70	0.07	46.90	42.10	0.07	39.00	38.10	0.09	33.00	33.00	0.19
	1750	EWB	72	96.50	47.40	0.05	89.50	44.30	0.07	81.30	40.80	0.07	71.70	36.90	0.08	60.50	32.60	0.09
		72	67	82.10	52.30	0.09	74.60	48.80	0.09	65.90	44.90	0.09	55.90	40.60	0.09	45.10	36.20	0.10
		62	72	68.60	56.80	0.10	61.00	53.10	0.10	52.90	49.10	0.10	44.90	44.90	0.12	38.70	38.70	0.24
48T17 48T21 48T24	1200	EWB	72	83.40	40.60	0.00	76.70	37.20	0.00	69.30	33.60	0.00	60.90	29.80	0.01	51.70	25.80	0.02
		72	67	70.10	42.30	0.02	63.20	38.60	0.03	55.60	34.80	0.03	47.20	30.80	0.04	37.80	26.60	0.04
		62	72	57.90	43.50	0.04	50.90	39.70	0.04	43.20	35.70	0.04	34.90	31.70	0.04	27.70	27.70	0.08
	1600	EWB	72	100.80	48.90	0.00	92.80	45.10	0.00	83.80	40.90	0.01	73.80	36.40	0.04	62.50	31.70	0.05
		72	67	84.90	51.70	0.05	76.70	47.40	0.06	67.50	42.90	0.06	57.30	38.10	0.06	45.90	33.20	0.06
		62	72	70.40	53.90	0.06	62.00	49.30	0.06	52.60	44.60	0.07	42.80	39.90	0.07	35.00	35.00	0.13
	2000	EWB	72	114.70	55.70	0.00	105.70	51.60	0.00	95.60	47.00	0.05	84.20	42.00	0.07	71.40	36.70	0.08
		72	67	97.00	59.50	0.08	87.70	54.90	0.08	77.30	49.90	0.09	65.60	44.60	0.09	52.50	39.00	0.09
		62	72	80.60	62.80	0.09	71.00	57.70	0.09	60.50	52.50	0.09	49.60	47.20	0.10	41.30	41.30	0.18
60T21 60T24	1600	EWB	72	109.20	53.40	0.00	100.00	48.60	0.00	89.90	43.60	0.00	78.60	38.50	0.00	66.40	33.10	0.02
		72	67	91.50	55.10	0.02	82.10	50.00	0.03	71.90	44.80	0.03	60.70	39.40	0.03	48.40	34.00	0.03
		62	72	75.40	56.30	0.03	65.90	51.00	0.03	55.60	45.70	0.04	44.80	40.40	0.04	35.30	35.30	0.07
	2000	EWB	72	128.00	62.20	0.00	117.20	56.90	0.00	105.20	51.20	0.00	92.00	45.20	0.02	77.50	39.10	0.04
		72	67	107.40	64.90	0.04	96.40	59.10	0.04	84.30	53.00	0.05	71.10	46.80	0.05	56.60	40.50	0.05
		62	72	88.60	66.90	0.05	77.50	60.80	0.05	65.30	54.60	0.05	52.70	48.50	0.06	42.40	42.40	0.11
	2400	EWB	72	144.20	70.00	0.00	132.10	64.20	0.00	118.50	57.90	0.01	103.60	51.20	0.04	87.20	44.30	0.06
		72	67	121.20	73.60	0.06	108.80	67.20	0.06	95.10	60.40	0.07	80.10	53.50	0.07	63.70	46.40	0.07
		62	72	100.10	76.40	0.07	87.50	69.60	0.07	73.80	62.70	0.07	59.80	56.00	0.08	48.90	48.90	0.14

See Legend and Notes on next page

Legend:

CFM – Cubic Ft. per Minute **EWB** – Entering Wet Bulb (°F) **LWB** – Leaving Wet Bulb (°F) **TC** – Gross Cooling Capacity 1000 Btuh
SHC – Gross Sensible Capacity 1000 Btuh **BF** – Bypass Factor **MBH** – 1000 Btuh

NOTES:

1. Contact manufacturer for cooling capacities at conditions other than shown in table.
2. Formulas:

$$\text{Leaving db} = \text{entering db} - \frac{\text{sensible heat cap.}}{1.09 \times \text{CFM}}$$

$$\text{Leaving wb} = \text{wb corresponding to enthalpy of air leaving coil (h}_{LWB})$$

$$h_{LWB} = h_{EWB} - \frac{\text{total capacity (Btuh)}}{4.5 \times \text{CFM}}$$
 Where h_{EWB} = enthalpy of air entering coil
3. SHC is based on 80°F db temperature of air entering the evaporator coil.
 Below 80°F db, subtract (Correction Factor x CFM) from SHC.
 Above 80°F db, add (Correction Factor x CFM) to SHC.
4. Direct interpolation is permissible. Do not extrapolate.
5. Fan motor heat has not been deducted.
6. All data points are based on 10°F superheat leaving coil and use of thermostatic expansion valve (TXV) device.
7. All units have sweat suction–tube connection and a liquid–tube connection. For 1–1/8 in. system suction tube, 3/4 x 1–1/8 in. suction tube connection adapter is available as accessory.
8. The EAM4X coils can be used in any properly designed system using Refrigerant R–410A.
9. Before using maximum cfm shown in table, check coil static pressure drop to ensure system blower can provide necessary static pressure needed for coil and duct systems.
10. Bypass Factor = 0 indicates no psychometric solution. Use bypass factor of next lower EWB for approximation.

BYPASS FACTOR	ENTERING AIR DRY BULB TEMPERATURE (°F)					
	79	78	77	76	75	Under 75
	81	82	83	84	84	Above 85
	Correction Factor					
0.10	0.98	1.96	2.94	3.92	4.91	Use formula shown below
0.20	0.87	1.74	2.62	3.49	4.36	
0.30	0.76	1.53	2.29	3.05	3.82	

Interpolation is permissible.

$$\text{Correction Factor} = 1.09 \times (1 - \text{BF}) \times (\text{db} - 80)$$

PERFORMANCE DATA (CONT.)

COIL STATIC PRESSURE DROP (in. w.c.) R-410A

UNIT SIZE	STANDARD CFM																					
	400	500	600	700	800	900	1000	1100	1200	1300	1400	1500	1600	1700	1800	1900	2000	2100	2200			
18T14	Dry																					
	0.079	0.111	0.145	0.186	0.232																	
	Wet																					
24T14	0.083	0.116	0.151	0.196	0.243																	
	Dry																					
	0.065	0.091	0.120	0.154	0.194	0.237	0.284															
24T17	Wet																					
	0.066	0.094	0.124	0.161	0.203	0.250	0.301															
	Dry																					
30T14	0.056	0.076	0.097	0.123	0.151	0.182	0.215															
	Wet																					
	0.060	0.082	0.105	0.132	0.163	0.195	0.231															
30T17	Dry																					
	0.054	0.077	0.102	0.133	0.167	0.206	0.248	0.296	0.347													
	Wet																					
36T14	0.059	0.084	0.111	0.142	0.181	0.223	0.269	0.319	0.375													
	Dry																					
	0.043	0.059	0.077	0.096	0.119	0.144	0.171	0.201	0.232													
36T17	Wet																					
	0.046	0.063	0.083	0.105	0.130	0.157	0.186	0.219	0.252													
	Dry																					
36T21	0.047	0.069	0.093	0.119	0.151	0.187	0.227	0.270	0.317	0.362	0.418											
	Wet																					
	0.053	0.076	0.101	0.129	0.162	0.200	0.241	0.286	0.335	0.388	0.447											
42T21	Dry																					
	0.023	0.036	0.052	0.069	0.089	0.110	0.135	0.160	0.189	0.219	0.251											
	Wet																					
42T24	0.042	0.058	0.076	0.095	0.117	0.142	0.169	0.198	0.231	0.265	0.299											
	Dry																					
	0.026	0.037	0.050	0.062	0.077	0.092	0.109	0.128	0.148	0.170	0.193											
48T17	Wet																					
	0.029	0.040	0.053	0.065	0.082	0.099	0.119	0.138	0.160	0.185	0.209											
	Dry																					
48T21			0.044	0.056	0.068	0.082	0.099	0.119	0.138	0.161	0.183	0.205	0.233									
	Wet																					
			0.058	0.073	0.089	0.106	0.125	0.143	0.165	0.189	0.213	0.239	0.268									
48T24	Dry																					
			0.039	0.049	0.060	0.072	0.085	0.099	0.114	0.130	0.146	0.164	0.182									
	Wet																					
60T21			0.054	0.066	0.079	0.092	0.103	0.125	0.142	0.161	0.182	0.202	0.222									
	Dry																					
			0.065	0.082	0.105	0.128	0.156	0.185	0.216	0.253	0.290	0.331	0.372	0.417	0.464							
60T24	Wet																					
			0.066	0.084	0.106	0.130	0.159	0.188	0.222	0.256	0.296	0.337	0.379	0.425	0.476							
	Dry																					
60T24			0.055	0.072	0.089	0.107	0.128	0.150	0.175	0.199	0.228	0.257	0.288	0.321	0.356							
	Wet																					
			0.058	0.075	0.094	0.115	0.136	0.161	0.188	0.217	0.247	0.279	0.313	0.347	0.386							
60T24	Dry																					
			0.044	0.056	0.069	0.084	0.100	0.118	0.137	0.159	0.180	0.198	0.222	0.247	0.275							
	Wet																					
60T24			0.052	0.065	0.080	0.095	0.112	0.131	0.150	0.171	0.193	0.214	0.241	0.270	0.296							
	Dry																					
					0.075	0.093	0.112	0.133	0.157	0.181	0.206	0.234	0.264	0.294	0.326	0.360	0.396	0.432	0.478			
60T24	Wet																					
					0.077	0.095	0.115	0.137	0.159	0.184	0.209	0.238	0.268	0.300	0.334	0.370	0.407	0.444	0.488			
	Dry																					
60T24					0.073	0.083	0.095	0.107	0.120	0.136	0.152	0.169	0.184	0.203	0.217	0.238	0.260	0.283	0.307			
	Wet																					
					0.076	0.086	0.098	0.110	0.124	0.140	0.157	0.175	0.193	0.215	0.238	0.261	0.286	0.314	0.342			