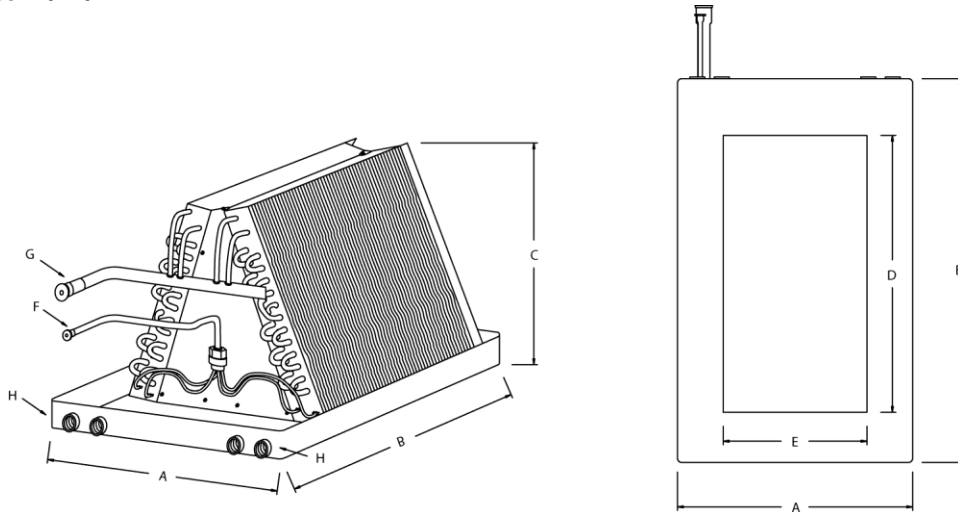


Sustainable Coils

Replacement Coil Solutions!

STOCK REPLACEMENT A-COIL

Revision Date: 7/17/17



COIL MODEL	A	B	C	D	E	F	G	H
1024A13	13	19 1/2	10 1/2	15 1/2	5 1/2	3/8	3/4	3/4
1024A16	16	19 1/2	10 1/2	15 1/2	8 1/2	3/8	3/4	3/4
1036A13	13	19 1/2	14 1/2	15 1/2	5 1/2	3/8	3/4	3/4
1036A16	16	19 1/2	14 1/2	15 1/2	8 1/2	3/8	3/4	3/4
1036A20	20	19 1/2	14 1/2	15 1/2	12 1/2	3/8	3/4	3/4
1048A16	16	19 1/2	18 1/2	15 1/2	8 1/2	3/8	7/8	3/4
1048A20	20	19 1/2	18 1/2	15 1/2	12 1/2	3/8	7/8	3/4
1048A23	23	19 1/2	18 1/2	15 1/2	15 1/2	3/8	7/8	3/4
1060A20	20	19 1/2	22 1/2	15 1/2	12 1/2	3/8	7/8	3/4
1060A23	23	19 1/2	22 1/2	15 1/2	15 1/2	3/8	7/8	3/4

Low profile 3 row replacement coils

3/8 O.D. UNIGUARD® by Luvata copper alloy tubing to block formicary corrosion

Aluminum end plates to protect against rust corrosion

Aluminum fins spaced at 14 FPI for proper air flow in replacement applications

Plastic drain pans in popular widths, nylon resin is UL 94, 5VFR rated and U.V. safe

Piston metered for R-22 application, additional R-410A piston available upon request

R-22 and R-410A expansion valve kits available upon request

Pre-swaged refrigerant connections, shipped with dry nitrogen holding charge

Internal Refrigerant Volumes: 1024A=94.08, 1036A=131.71, 1048A=169.34, 1060A=206.98

Five year replacement warranty

Visit our website www.SustainableCoils.com for further information regarding our complete product line.