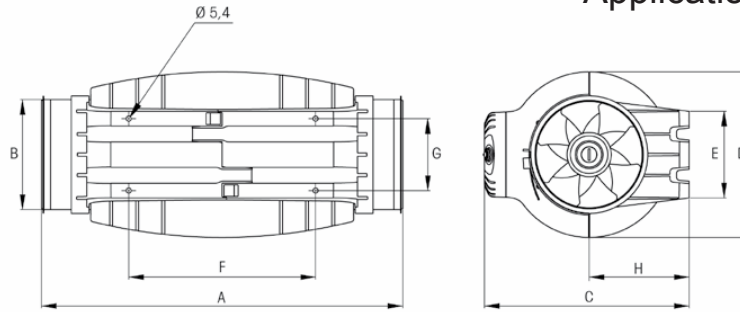




P: 800.961.7370
www.solerpalau-usa.com

MODEL TD-SILENT

(Extremely quiet for High Air Flow to Pressure Ratio Applications Minimum Space)



Dimensions inches/mm

| Model | A | B Ø | C | D Ø | E | F | G | H |
|----------|---------|---------|----------|---------|---------|---------|--------|--------|
| TD-100XS | 22 5/8 | 3 13/16 | 9 15/16 | 8 1/16 | 3 15/16 | 9 13/16 | 3 1/4 | 4 3/4 |
| TD-150S | 19 1/16 | 5 13/16 | 10 13/16 | 8 11/16 | 4 9/16 | 9 13/16 | 3 3/4 | 5 1/4 |
| TD-200S | 22 3/8 | 7 13/16 | 12 7/8 | 10 3/8 | 5 11/16 | 13 3/8 | 5 1/16 | 6 7/16 |



| FAN DATA | | | | | |
|----------|------|-----------|-----|----|-----|
| Fan No. | Qty. | Model No. | CFM | SP | RPM |
| | | | | | |
| | | | | | |
| | | | | | |
| | | | | | |

For more information contact us at www.solerpalau-usa.com or 1.800.961.7370 for additional submittal drawings.

S&P will not be responsible for fabrication changes or errors resulting from customer use of a non-current submittal drawing.

| MOTOR DATA | | | | | |
|------------|-----|-------|----|----|-----------|
| AMPS | RPM | VOLTS | PH | HZ | ENCLOSURE |
| | | | | | |
| | | | | | |
| | | | | | |
| | | | | | |

| ACCESSORIES | 1 | 2 | 3 | 4 | 5 | REMARKS |
|-------------|---|---|---|---|---|---------|
| | | | | | | |
| | | | | | | |
| | | | | | | |
| | | | | | | |

Project: _____ Submitted: _____
 Customer: _____ Approved: _____
 Location: _____