



SOUTHWARK METAL MANUFACTURING COMPANY

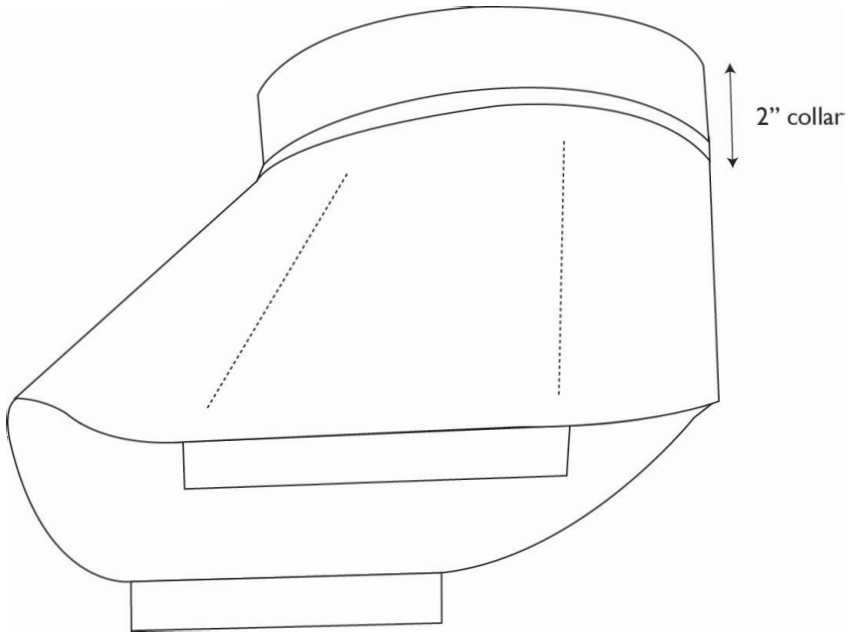
Philadelphia, PA • Greenville, SC • Indianapolis, IN • Southaven, MS • Fremont, NE • Caldwell, ID

Corporate Headquarters: 2800 Red Lion Road, Philadelphia PA 19114

tel: (800) 523-1052 • fax (800) 722-2076 • www.southwarkmetal.com

SUBMITTAL DRAWING

**SPIRAL 90° SHOE TAP
(MODEL NO: SP60)**



Diameter	Pipe Sizes
6"	6" - 10"
6" (6A)	12" - 16"
7"	7" - 10"
7" (7A)	12" - 16"
8"	8" - 12"
8" (8A)	14" - 18"
10"	10" - 14"
10" (10A)	16" - 20"
12"	12" - 16"
12" (12A)	18" - 22"

NOTES

- Material: Hot Dipped Galvanized Steel per ASTM A653 CS Type B, G40 coating
- Also available by special request, Galvannealed Steel (paintable), per ASTM A653, A40 coating
- 26 Ga
- Riveted connection, non-adjustable
- Outside dimension of each end diameter is approximately 1/8" under nominal size
- +/- 4" w.g. pressure rating

JOB NAME: _____
 LOCATION: _____
 ARCHITECT: _____
 ENGINEER: _____
 CONTRACTOR: _____

DATE: 10/17/12 SW-SP90STPHL SD-0045

Spiral 90° Shoe Tap
 MODEL NO: SP60