



**SOUTHWARK METAL MANUFACTURING COMPANY**

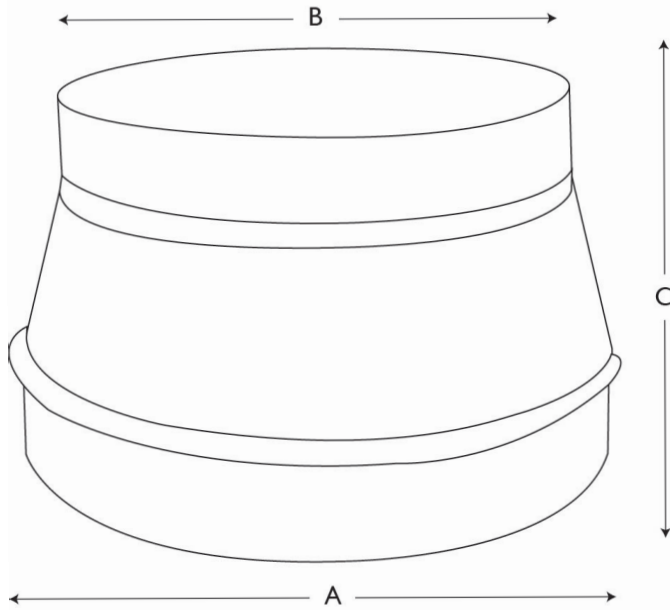
Philadelphia, PA • Greenville, SC • Indianapolis, IN • Southaven, MS • Fremont, NE • Caldwell, ID

Corporate Headquarters: 2800 Red Lion Road, Philadelphia PA 19114

tel: (800) 523-1052 • fax (800) 722-2076 • www.southwarkmetal.com

**SUBMITTAL DRAWING**

**SPIRAL TAPERED REDUCER  
(MODEL NO: SP58)**



A	B	C	A	B	C
5"	4"	6 1/4"	14"	12"	7 3/4"
6"	4"		16"	10"	7 3/4"
6"	5"		16"	12"	
7"	4"	7 1/2"	16"	14"	7 1/2"
7"	5"		18"	12"	
7"	6"	7 1/2"	18"	14"	
8"	5"		18"	16"	7 3/4"
8"	6"		20"	14"	
8"	7"		20"	16"	
10"	6"	7 3/4"	20"	18"	7 3/4"
10"	7"		22"	16"	
10"	8"		22"	18"	
12"	6"		22"	20"	
12"	8"	7 3/4"	24"	18"	
12"	10"	7 1/2"	24"	20"	7 5/8"
14"	8"		24"	22"	
14"	10"				

**NOTES**

- Material: Hot Dipped Galvanized Steel per ASTM A653 CS Type B, G40 coating
- Also available by special request, Galvannealed Steel (paintable), per ASTM A653, A40 coating
- "A" dimension 5" through 12": 26 Ga
- "A" dimension 14" through 24": 24 Ga

- Riveted connection, non-adjustable
- Outside dimension of each end diameter is approximately 1/8" under nominal size
- +/- 4" w.g. pressure rating

JOB NAME: \_\_\_\_\_  
 LOCATION: \_\_\_\_\_  
 ARCHITECT: \_\_\_\_\_  
 ENGINEER: \_\_\_\_\_  
 CONTRACTOR: \_\_\_\_\_

DATE: 11/02/12

SW-SP58PHL

SD-0049

Spiral Spiral Tapered Reducer  
 MODEL NO: SP58