



**SOUTHWARK METAL MANUFACTURING COMPANY**

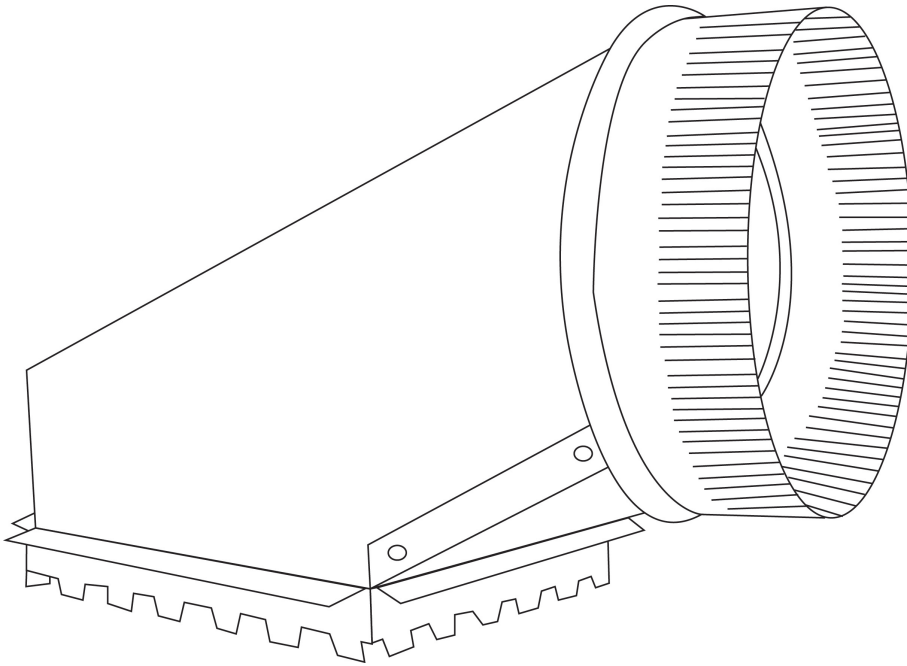
Philadelphia, PA • Greenville, SC • Indianapolis, IN • Southaven, MS • Fremont, NE • Caldwell, ID

Corporate Headquarters: 2800 Red Lion Road, Philadelphia PA 19114

tel: (800) 523-1052 • fax (800) 722-2076 • www.southwarkmetal.com

**SUBMITTAL DRAWING**

**FIBERGLASS TOP TAKEOFF**  
(MODEL NO: 62FG, 62FGL, & 62FGXL)



Product Availability

Pipe Size	Base Opening	Overall Height
4"	4" x 6"	5"
5"	5" x 6"	6"
6"	6" x 6"	7 1/4"
7"	7" x 7"	8 1/4"
8"	8" x 8"	9 1/4"
9"	10" x 10"	10 1/4"
10"	11 1/2" x 10"	11 1/2"
12"	12" x 12"	13 1/2"
14"	14" x 14"	15 1/2"

**NOTES**

- Material: Hot Dipped Galvanized Steel per ASTM A653 CS Type B
- 30 gauge
- 1" rise
- 2" collar length
- 3/8" flange with 1/2" tabs
- "FG" - 1" Ductboard
- "FGL" - 1 1/2" Ductboard
- "FGXL" - 2" Ductboard

JOB NAME: \_\_\_\_\_  
 LOCATION: \_\_\_\_\_  
 ARCHITECT: \_\_\_\_\_  
 ENGINEER: \_\_\_\_\_  
 CONTRACTOR: \_\_\_\_\_

DATE: 9/3/13      SW-62FGID      SD-0106

Fiberglass Top Takeoff  
 MODEL NO: 62FG