

PRODUCT NUMBER:

306L

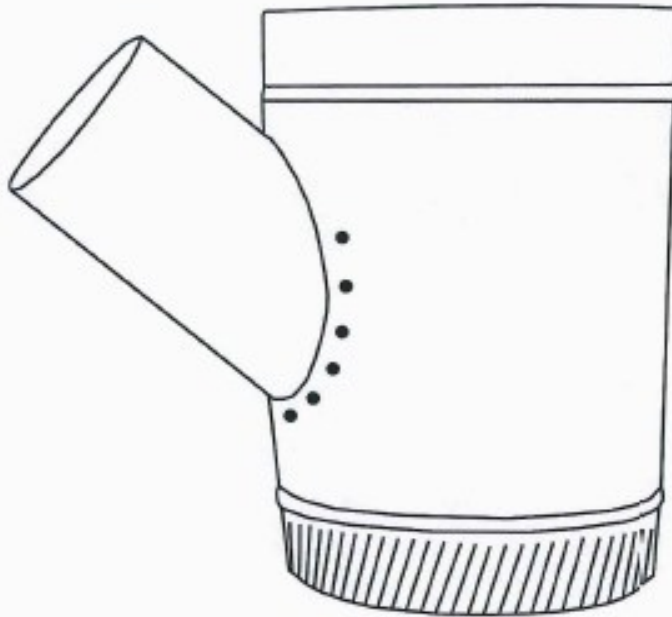
DESCRIPTION:
LATERAL (STUB) WYE

PRODUCT DATA SHEET

DATE:
01/19/11

MODEL VARIATIONS

306L = CRIMP LARGE END
306LBC = CRIMP 2 SMALL ENDS
306LNC = NO CRIMP



PRODUCTION DATA

MATERIAL: FABRICATED FROM HOT DIPPED GALVANIZED STEEL SHEETS OF LOCK FORMING QUALITY PER ASTM-A653 CS TYPE B.

GAUGES: 26GA

PRODUCT CHARACTERISTICS

BRANCH COMING OFF OF TUBE AT 45°.

NO CRIMP MALE END AS SHOWN.

PRODUCT SIZE INFORMATION

SIZES AVAILABLE:

03" THROUGH 20" ANY COMBINATION

IF NOT A STOCKING ITEM, ADDITIONAL TIME MAY BE REQUIRED.

NOTES:

CUSTOM SIZES AVAILABLE.

*Snap-Rite
Manufacturing, Inc.*

232 N Ida St (PO Box 577)
Coats, NC 27521
PH: 910-897-4080
FX: 910-897-0355

6285 Peterson Road
Lake Park, GA 31636
PH: 229-559-3772
FX: 229-559-9965