

PRODUCT NUMBER:

MHB

DESCRIPTION:

MOBILE HOME BOX

PRODUCT DATA SHEET

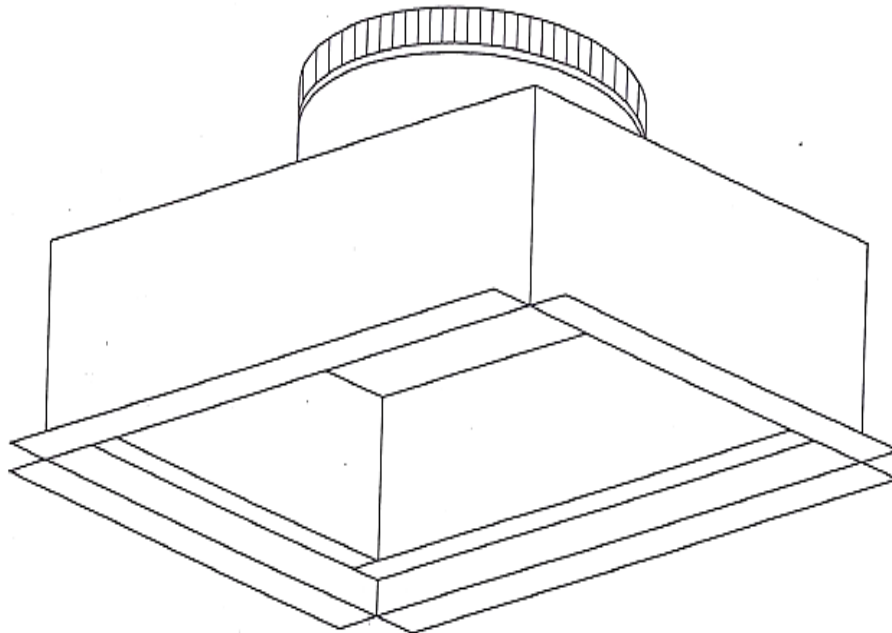
DATE:

10/22/12

MODEL VARIATIONS

WITH OR WITHOUT 1" FLANGE.

WITH OR WITHOUT GASKET.



PRODUCTION DATA

GALVANIZED 26GA CONSTRUCTION.

FILTER RACK IS 1" X 4 SIDES AND IS LOCATED 2 3/4" FROM FLANGE.

RIVETED CONSTRUCTION.

MEETS ASTM A-653 HOT DIPPED STANDARDS.

PRODUCT CHARACTERISTICS

BEAD ON COLLAR FOR FLEX APPLICATIONS.

BOX IS 6" DEEP STANDARD.

BOX HAS 1" FLANGE STANDARD.

COLLAR LENGTH IS 2".

PRODUCT SIZE INFORMATION

STANDARD SIZES:

12X12 - 10" COLLAR

14X14 - 12" COLLAR

14X14 - 14" COLLAR

12X20 - 12" COLLAR

14X20 - 12" COLLAR

14X20 - 14" COLLAR

NOTES:

SPECIAL SIZES AND DEPTHS ARE AVAILABLE.

MUST ALLOW ADDITIONAL PRODUCTION TIME FOR NON STOCK PARTS.

OUTSIDE DIMENSION OF BOX IS THE SAME AS SIZE ORDERED (NOT INCLUDING THE FLANGE).



232 NORTH IDA STREET

COATS, NC 27521

PH: 910-897-4080

FX: 910-897-0355

6285 PETERSON ROAD

LAKE PARK, GA 31636

PH: 229-559-3772

FX: 229-559-9965