

PRODUCT NUMBER:

MHB

DESCRIPTION:

MOBILE HOME BOX

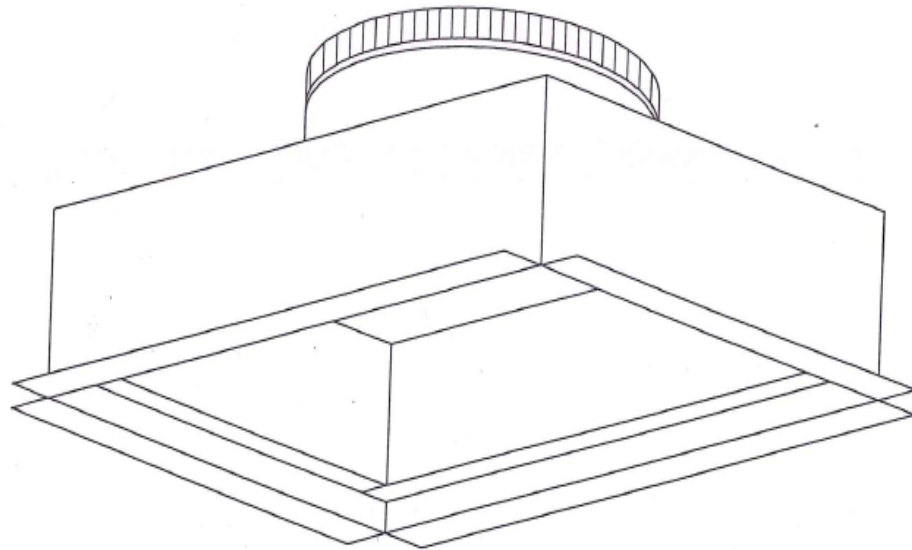
PRODUCT DATA SHEET

DATE:
10/22/12

MODEL VARIATIONS

WITH OR WITHOUT FILTER RAIL.

WITH OR WITHOUT 1" FLANGE.



PRODUCTION DATA

GALVANIZED 26GA CONSTRUCTION.

FILTER RACK 1" X 4 SIDES.

RIVETED CONSTRUCTION.

MEETS ASTM A-653 HOT DIPPED STANDARDS.

PRODUCT CHARACTERISTICS

BEAD ON COLLAR FOR FLEX APPLICATIONS.

BOX IS 6" DEEP STANDARD.

BOX HAS 1" FLANGE STANDARD.

AVAILABLE WITH OR WITHOUT GASKET.

PRODUCT SIZE INFORMATION

STANDARD SIZES:

12X12X10

14X14X12

14X14X14

12X20X12

14X20X12

14X20X14

NOTES:

SPECIAL SIZES AND DEPTHS ARE AVAILABLE.

MUST ALLOW ADDITIONAL PRODUCTION TIME FOR NON STOCK PARTS.

Snap-Rite
Manufacturing, Inc.

232 N Ida St (PO Box 577)

Coats, NC 27521

PH: 910-897-4080

FX: 910-897-0355

6285 Peterson Road

Lake Park, GA 31636

PH: 229-559-3772

FX: 229-559-9965