

PRODUCT NUMBER:

307

DESCRIPTION:
BULL NOSE WYE

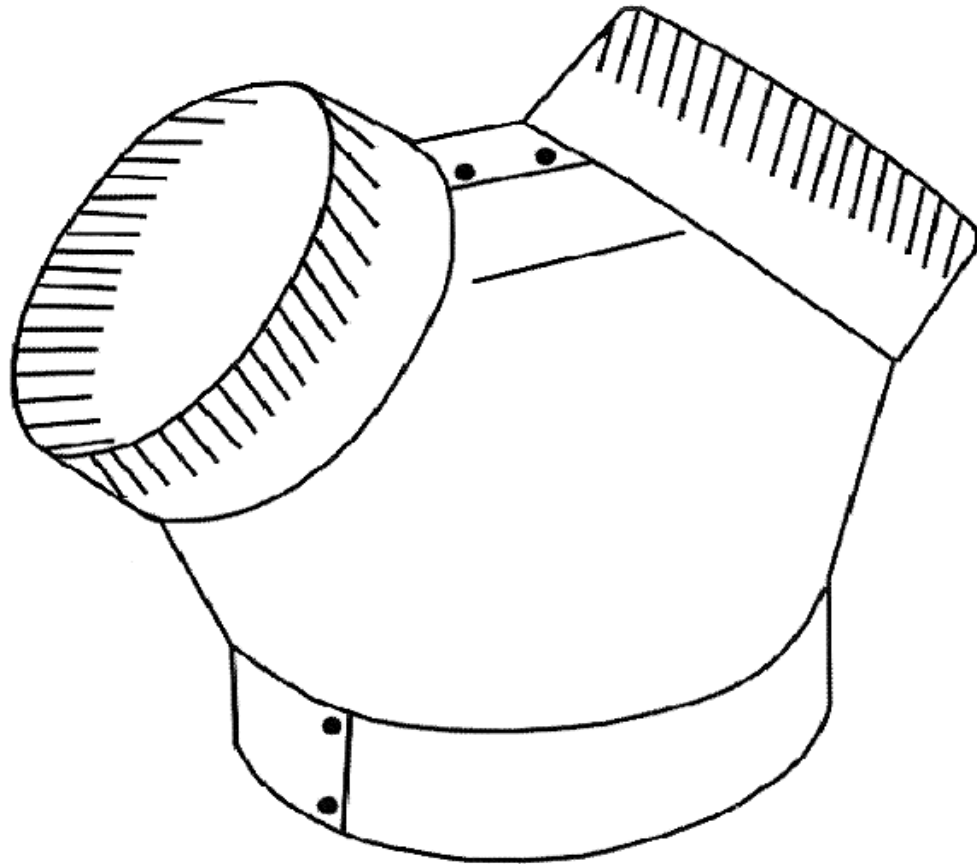
PRODUCT DATA SHEET

DATE:
02/16/09

MODEL VARIATIONS

GALVANIZED STEEL WYES ARE AVAILABLE IN LIMITED GAUGES AND DIAMETERS.

AVAILABLE WITH LONGER BRANCH COLLARS FOR FLEX.



PRODUCTION DATA

MATERIAL: FABRICATED FROM HOT DIPPED GALVANIZED STEEL SHEETS OF LOCK FORMING QUALITY PER ASTM-A653 CS TYPE B.

GAUGES: 26GA

PRODUCT CHARACTERISTICS

TRANSVERSE CONNECTIONS:
STRAIGHT FEMALE CONNECTION ON LARGE END.
CRIMPED MALE CONNECTION ON BOTH SMALL ENDS.

PRODUCT SIZE INFORMATION

STANDARD SIZES:

04X03X03	14X12X12
06X04X04	16X14X14
07X05X05	18X14X14
08X06X06	20X16X16
09X07X07	22X18X18
10X08X08	24X18X18
12X10X10	24X20X20

NOTES:

CUSTOM SIZES UP TO 24" CAN BE MADE.

CAN ALSO COME WITH 4" LONG COLLARS - USE PART NUMBER 307ECC

*Snap-Rite
Manufacturing, Inc.*

232 N Ida St (PO Box 577)
Coats, NC 27521
PH: 910-897-4080
FX: 910-897-0355

6285 Peterson Road
Lake Park, GA 31636
PH: 229-559-3772
FX: 229-559-9965