

**PRODUCT NUMBER:**

3500/3600 SERIES

**DESCRIPTION:**

METAL TOP INSULATED REGISTER BOX

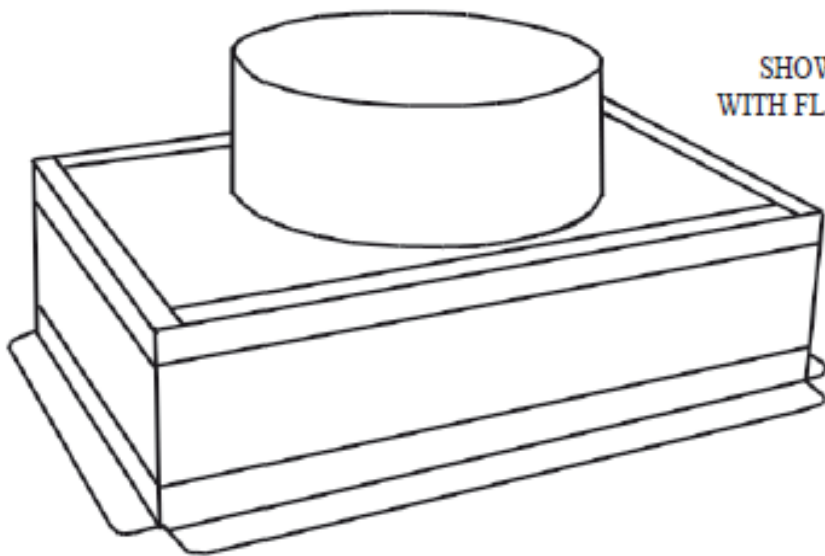
**PRODUCT DATA SHEET**

**DATE:**

10/31/12

**MODEL VARIATIONS**

3500F - R4.2 WITH FLANGE  
3600F - R6.0 WITH FLANGE  
3600F8 - R8.0 WITH FLANGE  
3500NF - R4.2 WITHOUT FLANGE  
3600NF - R6.0 WITHOUT FLANGE  
3600NF8 - R8.0 WITHOUT FLANGE



SHOWN  
WITH FLANGE

**PRODUCTION DATA**

OUTER BOX: 30 GAUGE GALVANIZED STEEL.  
COLLAR: ROLL FORMED 30GA GALVANIZED  
STEEL PER ASTM A653 CS TYPE B.

**PRODUCT CHARACTERISTICS**

INTERNAL INSULATION: R4.2, R6.0 OR R8.0  
BLACK INTERIOR.  
1/2" DRYWALL FLANGE.  
12 HOLE CLUSTER FOR REGISTER ATTACHMENT.  
AVAILABLE WITH OR WITHOUT MOUNTING FLANGE.  
AVAILABLE WITH OR WITHOUT GASKET.

**PRODUCT SIZE INFORMATION**

4 3/8" DEEP FRAMED BOX  
3" LONG COLLAR WITH CONVEX BEAD  
OUTER BOX DIMENSION IS 2 5/8" GREATER  
THAN REGISTER DIMENSION

**NOTES:**

INTERNAL INSULATION USED MEETS THE REQUIREMENTS OF ASTM C 1338 (FORMERLY ASTM C 665)  
STANDARD TEST METHOD FOR FUNGI RESISTANCE.

CAN ALSO BE MADE WITH A 45° ANGLE COLLAR INSTEAD OF A STRAIGHT COLLAR:

3500FA = R4 W/45° COLLAR & FLANGE  
3600FA = R6 W/45° COLLAR & FLANGE  
3600FA8=R8 W/45° COLLAR & FLANGE

3500NFA = R4 W/45° COLLAR NO FLANGE  
3600NFA = R6 W/45° COLLAR NO FLANGE  
3600NFA8=R8 W/45° COLLAR NO FLANGE

*Snap-Rite  
Manufacturing, Inc.*

232 N Ida St (PO Box 577)  
Coats, NC 27521  
PH: 910-897-4080  
FX: 910-897-0355

6285 Peterson Road  
Lake Park, GA 31636  
PH: 229-559-3772  
FX: 229-559-9965