

PRODUCT NUMBER:

110R

DESCRIPTION:

STRAIGHT REGISTER BOOT

PRODUCT DATA SHEET

DATE:
02/16/09

MODEL VARIATIONS

OTHER SIZES AND GAUGES AVAILABLE

AVAILABLE WITH FLANGE (#110RF)

AVAILABLE WITH CEILING PLATE (#110RCP)

PRODUCTION DATA

MATERIAL: FABRICATED FROM HOT DIPPED GALVANIZED STEEL SHEETS OF LOCK FORMING QUALITY PER ASTM A653 CS TYPE B.

GAUGE: 30GA

PRODUCT CHARACTERISTICS

2 3/4" STRAIGHT AWAY ON RECTANGULAR END.

ROUND COLLAR HAS HEMMED EDGE.

LONG SIDE IS FLAT TO COLLAR.

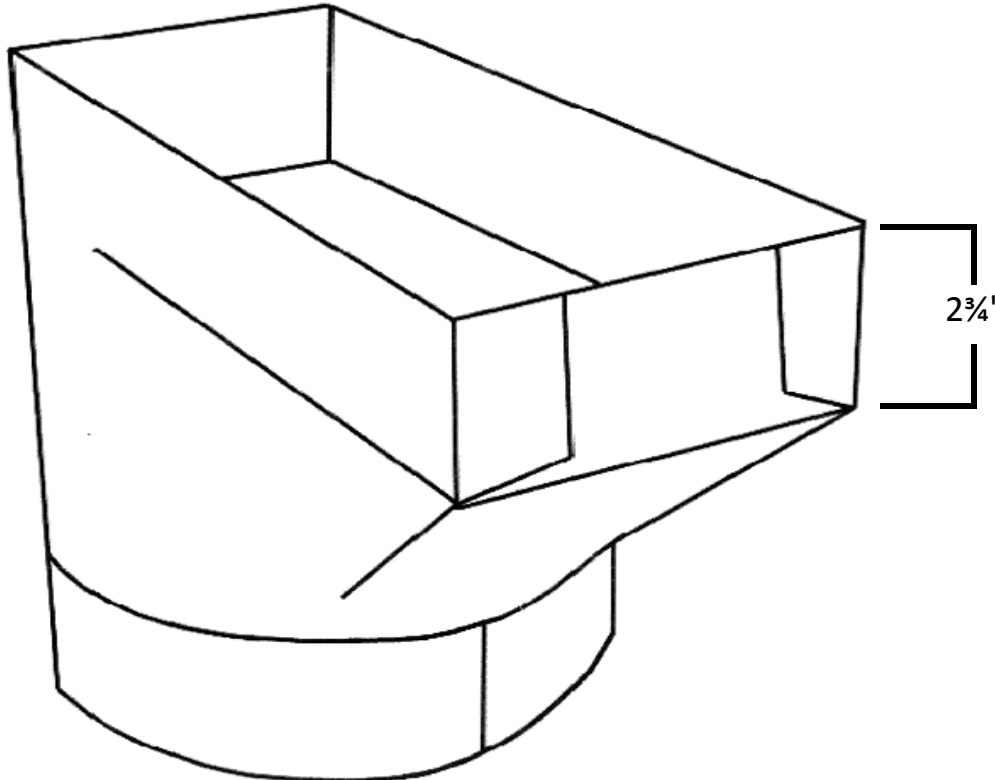
PRODUCT SIZE INFORMATION

STANDARD SIZES AVAILABLE:

(ALL SIZES ARE IN INCHES)

2 1/4X10-4, 5	10X6-5, 6, 7
2 1/4X12-5, 6	12X4-5, 6, 7
2 1/4X14-6, 7	12X6-6, 7, 8
8X4-4, 5, 6	12X8-6, 7, 8
8X6-5, 6, 7	14X6-6, 7, 8
10X4-5, 6, 7	14X8-7, 8, 9

110R PICTURED



NOTES:

STANDARD FLANGE ON 110RF IS 1" - SPECIFY IF DIFFERENT SIZE FLANGE IS NEEDED.

STANDARD FRAME ON 110RCP IS 24" - SPECIFY SIZE OF FRAME IF DIFFERENT SIZE IS NEEDED.



232 NORTH IDA STREET
COATS, NC 27521
PH: 910-897-4080
FX: 910-897-0355

6285 PETERSON ROAD
LAKE PARK, GA 31636
PH: 229-559-3772
FX: 229-559-9965