

**PRODUCT NO: 3600F / 3600NF (R6)  
3600F8 / 3600NF8 (R8)**

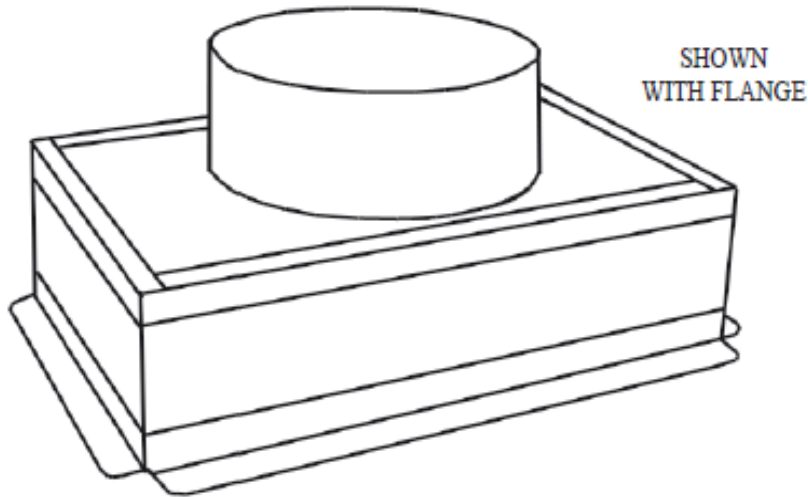
**NAME: INSULATED REGISTER BOX  
WITH OR WITHOUT FLANGE**

**PRODUCT DATA SHEET**

**DATE:  
10/31/12**

**MODEL VARIATIONS**

3600F - R6 WITH FLANGE  
3600F8 - R8 WITH FLANGE  
3600NF - R6 WITHOUT FLANGE  
3600NF8 - R8 WITHOUT FLANGE



**PRODUCTION DATA**

**MATERIAL:**

30 GAUGE GALVANIZED STEEL SHEET PER  
ASTM A653 CS TYPE B

INTERNALLY INSULATED WITH R6.0 OR R8.0  
INSULATION

**PRODUCT CHARACTERISTICS**

BLACK INTERIOR

1/2" DRYWALL FLANGE

12 HOLE CLUSTER FOR REGISTER ATTACHMENT

AVAILABLE WITH OR WITHOUT MOUNTING  
FLANGE

**PRODUCT SIZE INFORMATION**

4-3/8" DEEP FRAMED BOX

3" LONG COLLAR WITH CONVEX BEAD

OUTER BOX DIMENSION IS 2 5/8" GREATER  
THAN REGISTER DIMENSION

**NOTES: INTERNAL INSULATION USED MEETS THE REQUIREMENTS OF ASTM C 1338  
(FORMERLY ASTM C 665) STANDARD TEST FOR FUNGI RESISTANCE.**

**Snap-Rite**  
*Manufacturing, Inc.*  
PO Box 577  
Coats, NC 27521  
PH: 910-897-4080  
FX: 910-897-0355

Cleveland, OH ❖ Lake Park, GA