

PRODUCT NUMBER:

3109 / 3209 / 3309 / 3409

DESCRIPTION:

INSULATED SIDE OR END OUTLET REGISTER
BOX

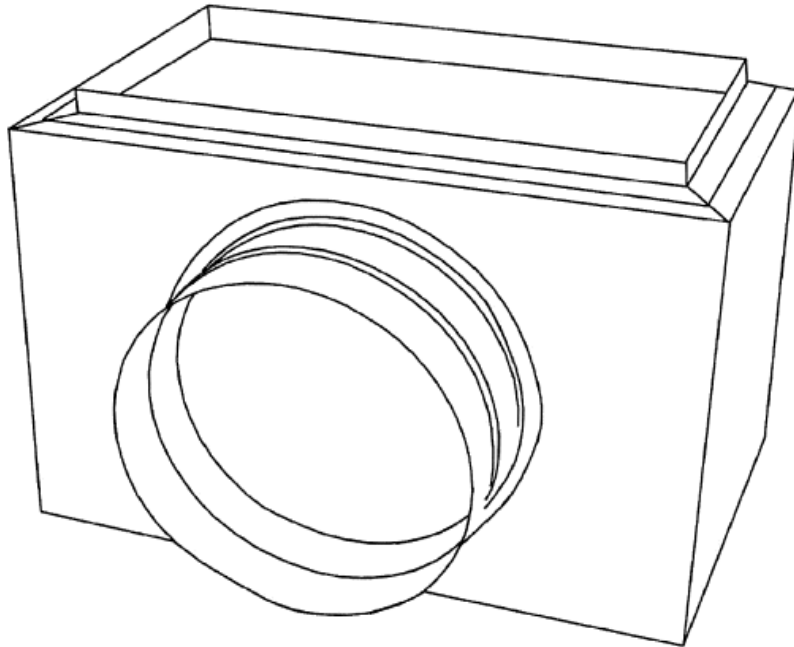
PRODUCT DATA SHEET

DATE:
02/16/09

MODEL VARIATIONS

3109NF: R4 INSULATED WITHOUT FLANGE
3209NF: R6 INSULATED WITHOUT FLANGE
3209NF8: R8 INSULATED WITHOUT FLANGE
3109F: R4 INSULATED WITH FLANGE
3209F: R6 INSULATED WITH FLANGE
3209F8: R8 INSULATED WITH FLANGE
SEE 'NOTES' SECTION BELOW FOR END OUTLET INFO.

SIDE OUTLET SHOWN WITHOUT FLANGE



ALSO AVAILABLE IN END OUTLET (SEE 'NOTES' BELOW)

PRODUCTION DATA

OUTER BOX: 30 GAUGE GALVANIZED STEEL.

COLLAR: ROLL FORMED 30GA GALVANIZED
STEEL PER ASTM A653 CS TYPE B.

PRODUCT CHARACTERISTICS

INTERNAL INSULATION: R4.2, R6.0 OR R8.0
BLACK INTERIOR.

½" DRYWALL FLANGE.

HOLE CLUSTER FOR REGISTER ATTACHMENT.

PRODUCT SIZE INFORMATION

OUTSIDE DIMENSION OF BOX = REGISTER
SIZE PLUS 2".

STANDARD HEIGHT OF BOX = 9"

COLLAR = 2 ¾" LONG

NOTES:

INTERNAL INSULATION USED MEETS THE REQUIREMENTS OF ASTM C 1338 (FORMERLY ASTM C 665)
STANDARD TEST METHOD FOR FUNGI RESISTANCE.

ALSO AVAILABLE IN END OUTLET

- | | |
|--------------------------------|---------------------------------|
| 3309NF - R4 END OUT NO FLANGE | 3409F - R6 END OUT WITH FLANGE |
| 3309F - R4 END OUT WITH FLANGE | 3409NF8 - R8 END OUT NO FLANGE |
| 3409NF - R6 END OUT NO FLANGE | 3409F8 - R8 END OUT WITH FLANGE |

Snap-Rite
Manufacturing, Inc.

232 N Ida St (PO Box 577)

Coats, NC 27521

PH: 910-897-4080

FX: 910-897-0355

6285 Peterson Road

Lake Park, GA 31636

PH: 229-559-3772

FX: 229-559-9965