

PRODUCT NUMBER:
400A

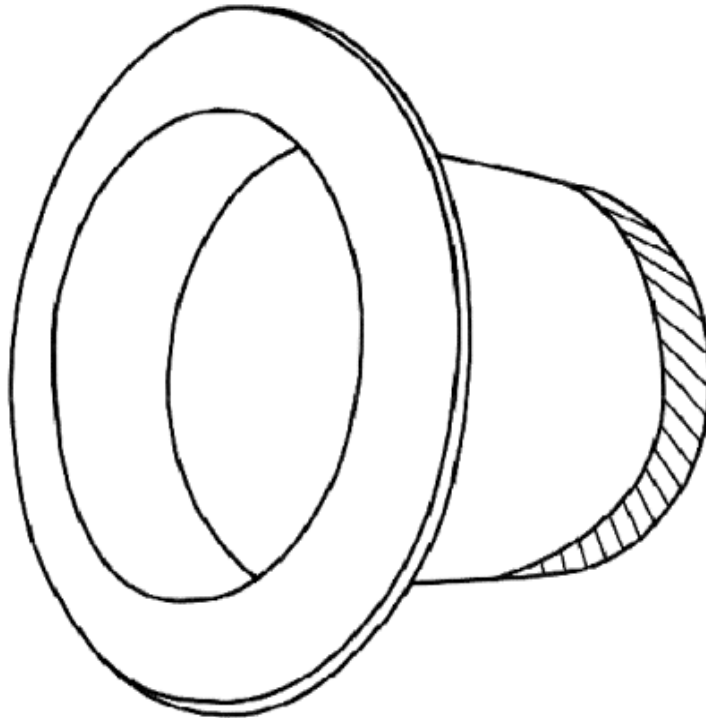
DESCRIPTION:
AIRTITE FLAT TAKEOFF

PRODUCT DATA SHEET

DATE:
10/22/12

MODEL VARIATIONS

- # 400A - AIRTITE TAKEOFF PLAIN
- # 400AS - AIRTITE TAKEOFF + SCOOP
- # 400AD - AIRTITE TAKEOFF + DAMPER
- # 400ASD - AIRTITE TAKEOFF + SCOOP + DAMPER
- # 400ADH - AIRTITE TAKEOFF + DAMPER HOLES
- # 400ADSO - AIRTITE TAKEOFF + STANDOFF DAMPER
- # 400ASDSO - AIRTITE TAKEOFF + SCOOP + STANDOFF DAMPER



PRODUCTION DATA

MATERIAL FABRICATED FROM HOT DIPPED GALVANIZED STEEL SHEETS PER ASTM-A653 CS TYPE B.

GAUGES:

04" - 20" = 26GA

04" & 05" CAN COME IN 28GA

PRODUCT CHARACTERISTICS

BASED ON 700 F/M VELOCITY IN MAIN DUCT;
600 F/M VELOCITY IN BRANCH DUCT.

DESIGN FRICTION LOSS OF .15" W.G. PER 100' OF DUCT.

PRESSURE LOSS IN EQUIVALENT FEET OF BRANCH DUCT = 25'.

PRODUCT SIZE INFORMATION

DIAMETER

04" - 20"

COLLAR LENGTH

5 ½"

NOTES:

2" STANDOFF AVAILABLE UPON REQUEST.
DAMPER HOLES ALSO AVAILABLE.

*Snap-Rite
Manufacturing, Inc.*

232 N Ida St (PO Box 577)

Coats, NC 27521

PH: 910-897-4080

FX: 910-897-0355

6285 Peterson Road

Lake Park, GA 31636

PH: 229-559-3772

FX: 229-559-9965