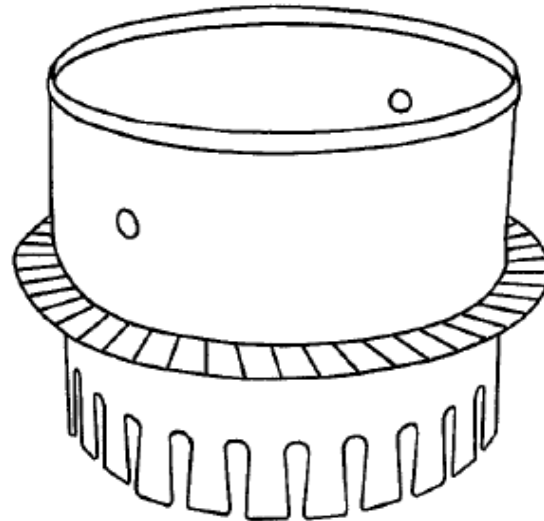


<b>PRODUCT NAME:</b> 404-DCC / 404-DCCSL  <b>DESCRIPTION:</b> DB DOUBLE CLICK START COLLAR	<b>PRODUCT DATA SHEET</b>	<b>MODEL VARIATIONS</b>
	DATE: 11/26/13	AVAILABLE SNAPPED (# 404-DCC) OR NESTED (# 404-DCCSL). AVAILABLE WITH OR WITHOUT DAMPER (SNAPPED ONLY). AVAILABLE WITH OR WITHOUT SCOOP (SNAPPED ONLY). AVAILABLE WITH OR WITHOUT GASKET (SNAPPED ONLY).



<b>PRODUCTION DATA</b>
MATERIAL: FABRICATED FROM GALVANIZED LOCKFORMING METAL.  MEETS ASTM A-653 HOT DIPPED STANDARDS.  04 - 08" = .012 MATERIAL 10 - 20" = .014 MATERIAL
<b>PRODUCT CHARACTERISTICS</b>
FULL FLOW BY DIAMETER WITH NO RESTRICTIONS.
<b>PRODUCT SIZE INFORMATION</b>
AVAILABLE IN SIZES: 04 - 20"  STRAIGHT SECTION IS 2 3/4" LONG

**NOTES:** ABLE TO BE USED WITH R4 GLASS AND R6 GLASS. ALL PARTS SEALED WITH GLUE TO AVOID AIR LEAKS. HEMMED OVER AND HAS BEAD FOR SAFETY AND EASY SLIP ON OF FLEX. ALL PARTS HAVE 3/8" DAMPER HOLES.

**Snap-Rite<sup>®</sup>**  
**Manufacturing, Inc.**  
 A Gray Co.



232 NORTH IDA STREET COATS, NC 27521 PH: 910-897-4080 FX: 910-897-0355	6285 PETERSON ROAD LAKE PARK, GA 31636 PH: 229-559-3772 FX: 229-559-9965
---	---