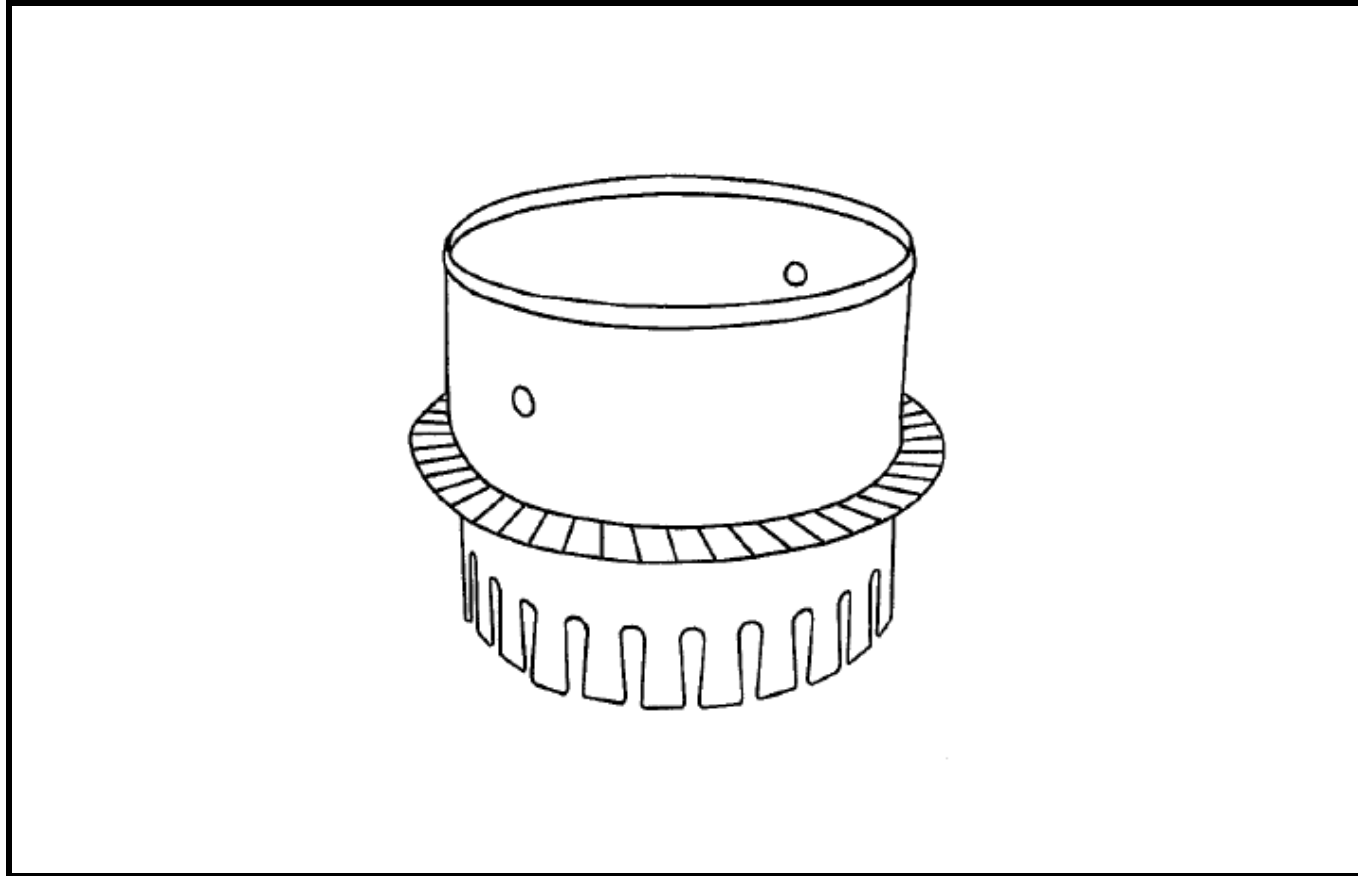


PRODUCT NAME: 404-DCC2 - 404DCCSL2 DESCRIPTION: DB DOUBLE CLICK START COLLAR FOR R8 DUCTBOARD	PRODUCT DATA SHEET	MODEL VARIATIONS
	DATE: 09/25/15	AVAILABLE SNAPPED (# 404-DCC2) OR NESTED (# 404-DCCSL2). AVAILABLE WITH OR WITHOUT DAMPER (SNAPPED ONLY). AVAILABLE WITH OR WITHOUT SCOOP (SNAPPED ONLY). AVAILABLE WITH OR WITHOUT GASKET (SNAPPED ONLY).



PRODUCTION DATA
MATERIAL: FABRICATED FROM GALVANIZED LOCKFORMING METAL. MEETS ASTM A-653 HOT DIPPED STANDARDS. 04 - 08" = .012 MATERIAL 10 - 20" = .014 MATERIAL
PRODUCT CHARACTERISTICS
FULL FLOW BY DIAMETER WITH NO RESTRICTIONS.
PRODUCT SIZE INFORMATION
AVAILABLE IN SIZES: 04 - 20" STRAIGHT SECTION IS 2 3/4" LONG

NOTES: FOR USE WITH R8 DUCTBOARD ONLY. ALL PARTS SEALED WITH GLUE TO AVOID AIR LEAKS. HEMMED OVER AND HAS BEAD FOR SAFETY AND EASY SLIP ON OF FLEX. ALL PARTS HAVE 3/8" DAMPER HOLES.

Snap-Rite
Manufacturing, Inc.

232 N Ida St (PO Box 577)	6285 Peterson Road
Coats, NC 27521	Lake Park, GA 31636
PH: 910-897-4080	PH: 229-559-3772
FX: 910-897-0355	FX: 229-559-9965