

PRODUCT NUMBER:

110R

DESCRIPTION:

STRAIGHT REGISTER BOOT

PRODUCT DATA SHEET

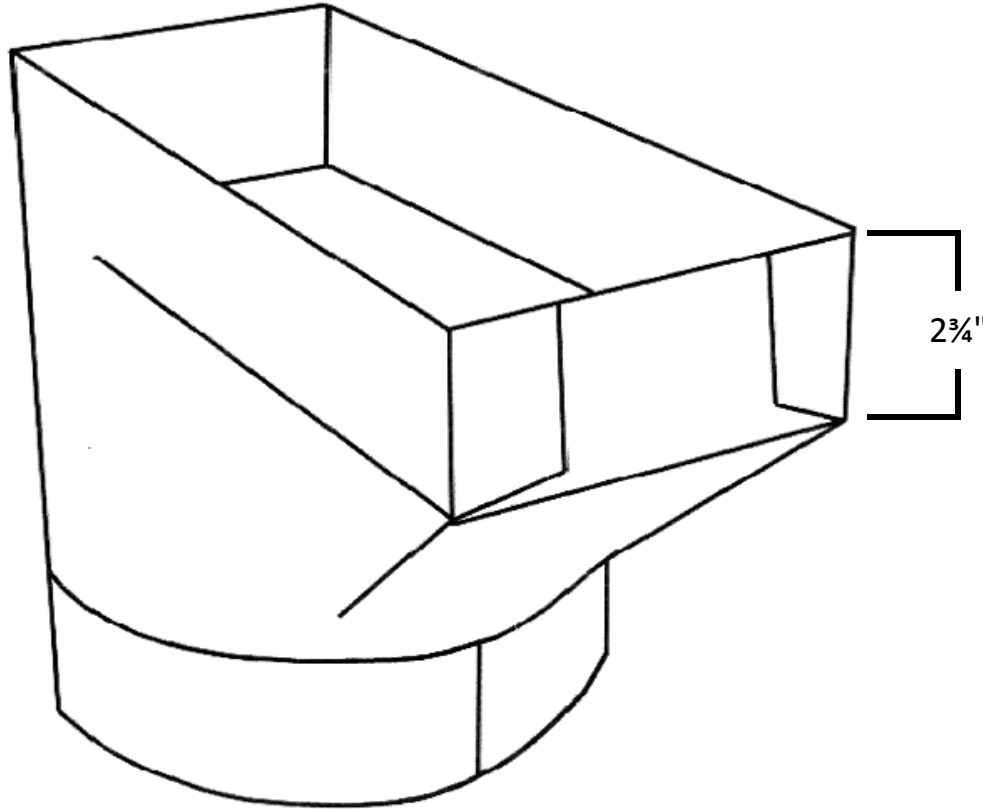
DATE:
02/16/09

MODEL VARIATIONS

OTHER SIZES AND GAUGES AVAILABLE

AVAILABLE WITH FLANGE (#110RF)

AVAILABLE WITH CEILING PLATE (#110RCP)



PRODUCTION DATA

MATERIAL: FABRICATED FROM HOT DIPPED GALVANIZED STEEL SHEETS OF LOCK FORMING QUALITY PER ASTM A653 CS TYPE B.

GAUGE: 30GA

PRODUCT CHARACTERISTICS

2 3/4" STRAIGHT AWAY ON RECTANGULAR END.

ROUND COLLAR HAS HEMMED EDGE.

LONG SIDE IS FLAT TO COLLAR.

PRODUCT SIZE INFORMATION

STANDARD SIZES AVAILABLE:

(ALL SIZES ARE IN INCHES)

2 1/4X10-4, 5	12X04-5, 6, 7
2 1/4X12-5, 6	12X06-6, 7, 8
2 1/4X14-6, 7	12X08-6, 7, 8
06X06-4, 5, 6	12X10-8, 9, 10
08X04-4, 5, 6	12X12-8, 9, 10
08X06-5, 6, 7	14X04-6, 7, 8
08X08-6, 7, 8	14X06-6, 7, 8
10X04-5, 6, 7	14X08-7, 8, 9
10X06-5, 6, 7	14X10-8, 9, 10

NOTES:

STANDARD FLANGE ON 110RF IS 1" - SPECIFY IF DIFFERENT SIZE FLANGE IS NEEDED.

STANDARD FRAME ON 110RCP IS 24" - SPECIFY SIZE OF FRAME IF DIFFERENT SIZE IS NEEDED.

Snap-Rite
Manufacturing, Inc.

232 N Ida St (PO Box 577)

Coats, NC 27521

PH: 910-897-4080

FX: 910-897-0355

6285 Peterson Road

Lake Park, GA 31636

PH: 229-559-3772

FX: 229-559-9965