

PRODUCT NUMBER:

3500-3600FS/NFS

DESCRIPTION:

45° METAL SLANT BOX W/COLLAR

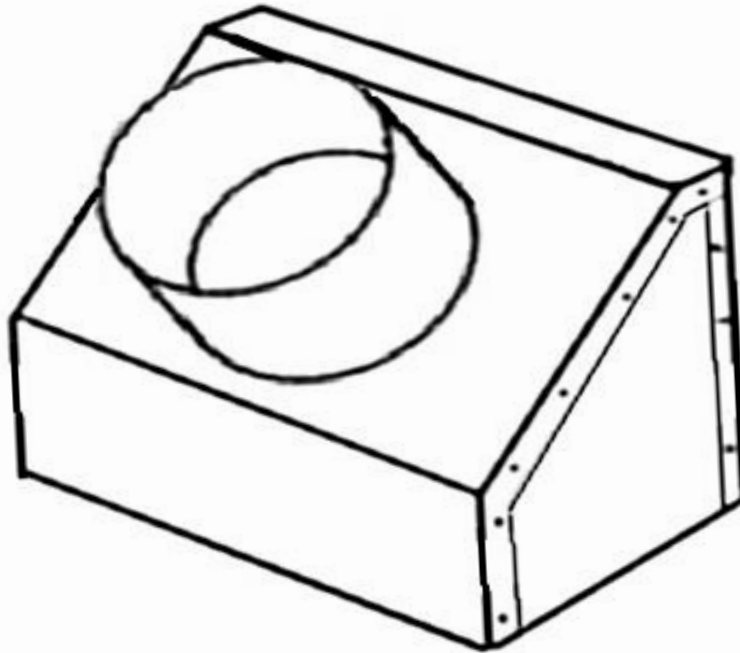
PRODUCT DATA SHEET

DATE:

06/06/15

MODEL VARIATIONS

- 3500FS - R4 WITH FLANGE
- 3500NFS - R4 NO FLANGE
- 3600FS - R6 WITH FLANGE
- 3600NFS - R6 NO FLANGE
- 3600FS8 - R8 WITH FLANGE
- 3600NFS8 - R8 NO FLANGE



SHOWN WITHOUT FLANGE

PRODUCTION DATA

OUTER BOX: 30 GAUGE GALVANIZED STEEL.

COLLAR: ROLL FORMED 30GA GALVANIZED STEEL PER ASTM A653 CS TYPE B.

PRODUCT CHARACTERISTICS

INTERNAL INSULATION: R4.2, R6.0 OR R8.0
BLACK INTERIOR.

½" DRYWALL FLANGE.

45° SLANT TOP DESIGN.

AVAILABLE WITH OR WITHOUT MOUNTING FLANGE.

AVAILABLE WITH OR WITHOUT GASKET.

PRODUCT SIZE INFORMATION

STANDARD SIZES

<u>REGISTER SIZE</u>	<u>COLLAR SIZE</u>
08X04	4,5
10X04	4,5,6
10X06	5,6,7
12X06	6,7
14X06	8

NOTES:

INTERNAL INSULATION USED MEETS THE REQUIREMENTS OF ASTM C 1338 (FORMERLY ASTM C 665) STANDARD TEST METHOD FOR FUNGI RESISTANCE.



A Gray Co.
 232 NORTH IDA STREET
 COATS, NC 27521
 PH: 910-897-4080
 FX: 910-897-0355

6285 PETERSON ROAD
 LAKE PARK, GA 31636
 PH: 229-559-3772
 FX: 229-559-9965