

PRODUCT NUMBER:

3500/3600 SERIES

DESCRIPTION:

METAL TOP INSULATED REGISTER BOX

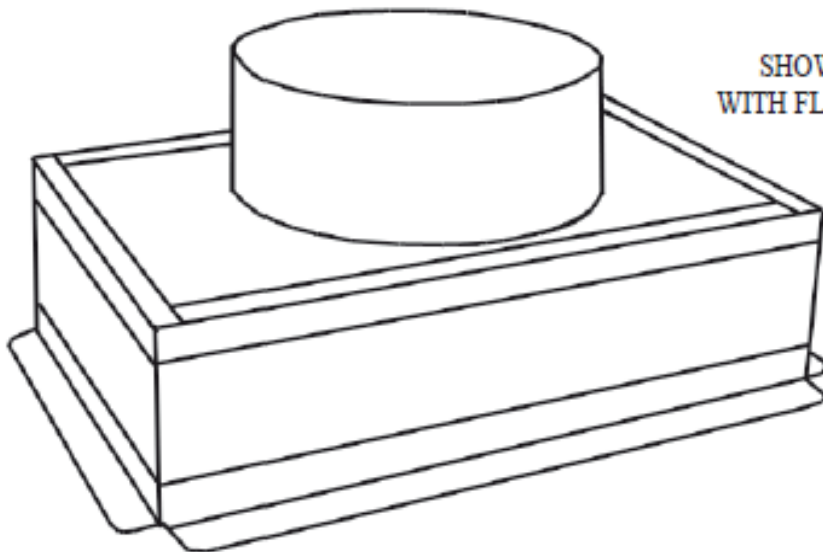
PRODUCT DATA SHEET

DATE:

10/31/12

MODEL VARIATIONS

3500F - R4.2 WITH FLANGE
3600F - R6.0 WITH FLANGE
3600F8 - R8.0 WITH FLANGE
3500NF - R4.2 WITHOUT FLANGE
3600NF - R6.0 WITHOUT FLANGE
3600NF8 - R8.0 WITHOUT FLANGE



SHOWN WITH FLANGE

PRODUCTION DATA

OUTER BOX: 30 GAUGE GALVANIZED STEEL.
COLLAR: ROLL FORMED 30GA GALVANIZED STEEL PER ASTM A653 CS TYPE B.

PRODUCT CHARACTERISTICS

INTERNAL INSULATION: R4.2, R6.0 OR R8.0
BLACK INTERIOR.
1/2" DRYWALL FLANGE.
12 HOLE CLUSTER FOR REGISTER ATTACHMENT.
AVAILABLE WITH OR WITHOUT MOUNTING FLANGE.
AVAILABLE WITH OR WITHOUT GASKET.

PRODUCT SIZE INFORMATION

4 3/8" DEEP FRAMED BOX
3" LONG COLLAR WITH CONVEX BEAD
OUTER BOX DIMENSION IS 2 5/8" GREATER THAN REGISTER DIMENSION

NOTES:

INTERNAL INSULATION USED MEETS THE REQUIREMENTS OF ASTM C 1338 (FORMERLY ASTM C 665) STANDARD TEST METHOD FOR FUNGI RESISTANCE.

CAN ALSO BE MADE WITH A 45° ANGLE COLLAR INSTEAD OF A STRAIGHT COLLAR:

3500FA = R4 W/45° COLLAR & FLANGE
3600FA = R6 W/45° COLLAR & FLANGE
3600FA8=R8 W/45° COLLAR & FLANGE

3500NFA = R4 W/45° COLLAR NO FLANGE
3600NFA = R6 W/45° COLLAR NO FLANGE
3600NFA8=R8 W/45° COLLAR NO FLANGE

*Snap-Rite
Manufacturing, Inc.*

232 N Ida St (PO Box 577)
Coats, NC 27521
PH: 910-897-4080
FX: 910-897-0355

6285 Peterson Road
Lake Park, GA 31636
PH: 229-559-3772
FX: 229-559-9965