

**PRODUCT NUMBER:**

3109 / 3209 / 3309 / 3409

**DESCRIPTION:**

INSULATED SIDE OR END OUTLET REGISTER  
BOX

**PRODUCT DATA SHEET**

**DATE:**  
02/16/09

**MODEL VARIATIONS**

SIDE OUTLET

3109F: R4 W/FLG  
3209F: R6 W/FLG  
3209F8: R8 W/FLG

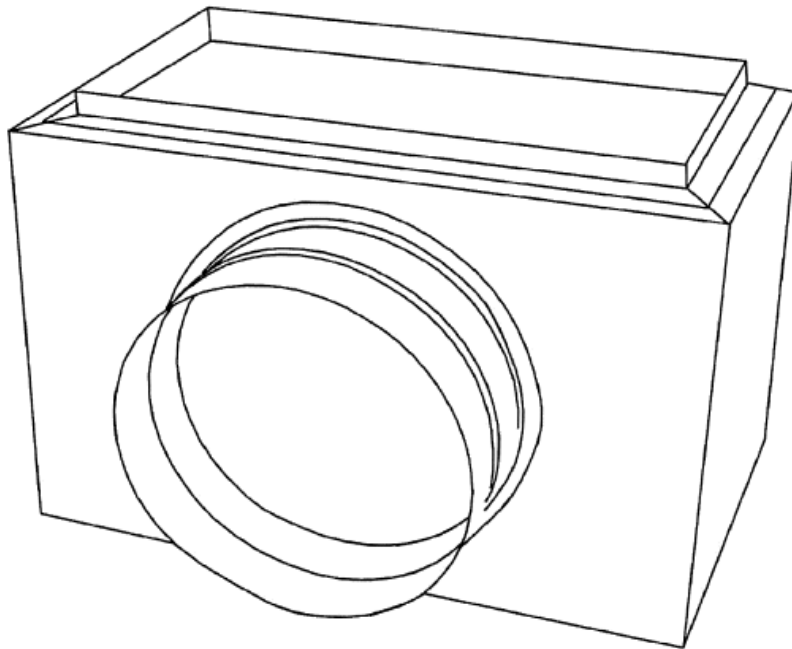
3109NF: R4 / NO FLG  
3209NF: R6 / NO FLG  
3209NF8: R8 / NO FLG

END OUTLET

3309F: R4 W/FLG  
3409F: R6 W/FLG  
3409F8: R8 W/FLG

3309NF: R4 / NO FLG  
3409NF: R6 / NO FLG  
3409NF8: R8 / NO FLG

SIDE OUTLET SHOWN WITHOUT FLANGE



NO LONGER AVAILABLE WITH 6" LONG COLLAR (SEE NOTES BELOW)

**PRODUCTION DATA**

OUTER BOX: 30 GAUGE GALVANIZED STEEL.

COLLAR: ROLL FORMED 30GA GALVANIZED  
STEEL PER ASTM A653 CS TYPE B.

**PRODUCT CHARACTERISTICS**

INTERNAL INSULATION: R4.2, R6.0 OR R8.0  
BLACK INTERIOR.

½" DRYWALL FLANGE.

HOLE CLUSTER FOR REGISTER ATTACHMENT.

**PRODUCT SIZE INFORMATION**

OUTSIDE DIMENSION OF BOX = REGISTER  
SIZE PLUS 2".

STANDARD HEIGHT OF BOX = 9"

COLLAR = 2 ¾" LONG

**NOTES:**

INTERNAL INSULATION USED MEETS THE REQUIREMENTS OF ASTM C 1338 (FORMERLY ASTM C 665)  
STANDARD TEST METHOD FOR FUNGI RESISTANCE.

**NO LONGER AVAILABLE WITH 6" LONG COLLAR - THE FOLLOWING ITEMS HAVE BEEN DISCONTINUED.**

**3209NF6C : R6 INSULATED SIDE OUT BOX NO FLANGE W/6" LONG COLLAR**

**3409NF6C : R6 INSULATED END OUT BOX NO FLANGE W/6" LONG COLLAR**



232 NORTH IDA STREET  
COATS, NC 27521  
PH: 910-897-4080  
FX: 910-897-0355

6285 PETERSON ROAD  
LAKE PARK, GA 31636  
PH: 229-559-3772  
FX: 229-559-9965