

**PRODUCT NUMBER:**  
400A

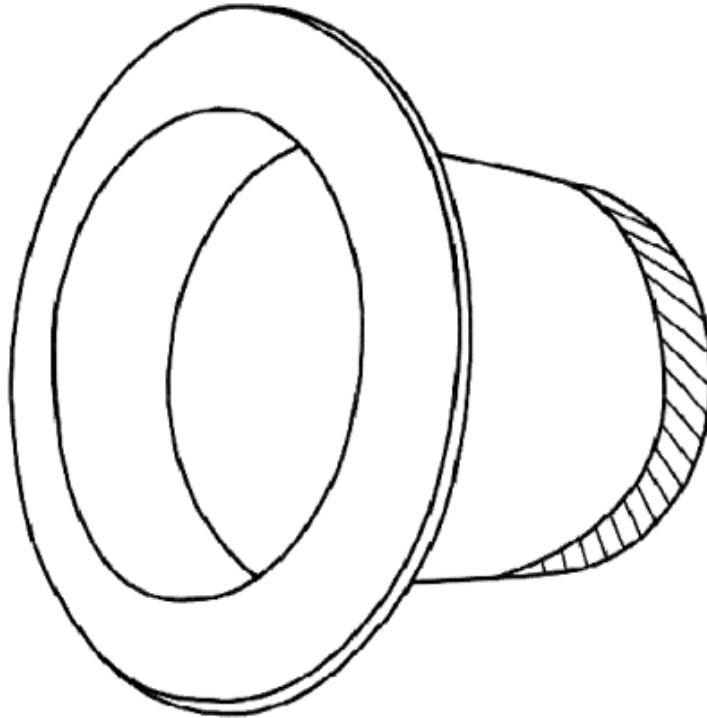
**DESCRIPTION:**  
AIRTITE FLAT TAKEOFF

**PRODUCT DATA SHEET**

**DATE:**  
10/22/12

**MODEL VARIATIONS**

- # 400A - AIRTITE TAKEOFF PLAIN
- # 400AS - AIRTITE TAKEOFF + SCOOP
- # 400AD - AIRTITE TAKEOFF + DAMPER
- # 400ASD - AIRTITE TAKEOFF + SCOOP + DAMPER
- # 400ADH - AIRTITE TAKEOFF + DAMPER HOLES
- # 400ADSO - AIRTITE TAKEOFF + STANDOFF DAMPER
- # 400ASDSO - AIRTITE TAKEOFF + SCOOP + STANDOFF DAMPER



**PRODUCTION DATA**

MATERIAL FABRICATED FROM HOT DIPPED GALVANIZED STEEL SHEETS PER ASTM-A653 CS TYPE B.

**GAUGES:**

04" - 20" = 26GA

04" & 05" CAN COME IN 28GA

**PRODUCT CHARACTERISTICS**

BASED ON 700 F/M VELOCITY IN MAIN DUCT;  
600 F/M VELOCITY IN BRANCH DUCT.

DESIGN FRICTION LOSS OF .15" W.G. PER 100' OF DUCT.

PRESSURE LOSS IN EQUIVALENT FEET OF BRANCH DUCT = 25'.

**PRODUCT SIZE INFORMATION**

**DIAMETER**

04" - 20"

**COLLAR LENGTH**

5 ½"

**NOTES:**

2" STANDOFF AVAILABLE UPON REQUEST.  
DAMPER HOLES ALSO AVAILABLE.

**Snap-Rite<sup>®</sup>**  
*Manufacturing, Inc.*  
A Gray Co.



232 NORTH IDA STREET  
COATS, NC 27521  
PH: 910-897-4080  
FX: 910-897-0355

6285 PETERSON ROAD  
LAKE PARK, GA 31636  
PH: 229-559-3772  
FX: 229-559-9965