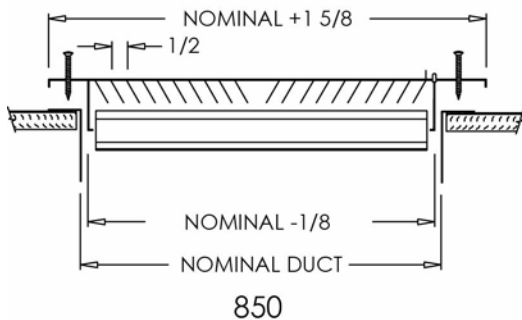
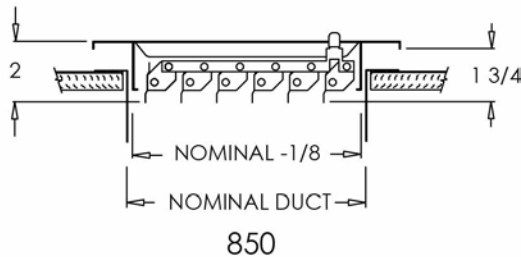
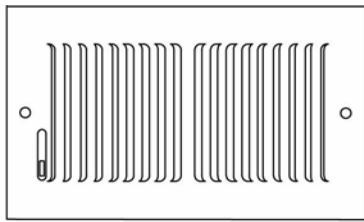




Commercial Submittal Sheet

850 Series

2-Way Stamped Diffuser



Model: 850

Description: 2-Way Stamped Diffuser

Standard Features:

- 2-Way diffuser with stiffened 1/2" fan shaped louvers for silent operation
- For ceiling or sidewall applications
- Lever operated multi-shutter damper
- All component parts, rivets, linkage, and handle enclosed in valve to assure trouble-free operation
- Countersunk mounting holes for flush appearance with color matching Phillips posi-drive screws
- Soft White

Options:

- Lever operated Opposed Blade Damper (850-0)

Tamper Proof Screws

- "E" One Way
- "F" Torx Center Pin
- "G" Hex Center Pin

Finishes:

Standard Colors

- Soft White
- Driftwood Tan

Designer Colors

- Almond
- Black Velvet
- Bronze
- Camaro Silver
- Coffee Tan
- Navajo White
- Vanilla

Custom Plating

- Antique Brass
- Black Nickel
- Oil Rub Bronze
- Pewter
- Polished Brass
- Polished Chrome
- Satin Nickel

Additional Information:

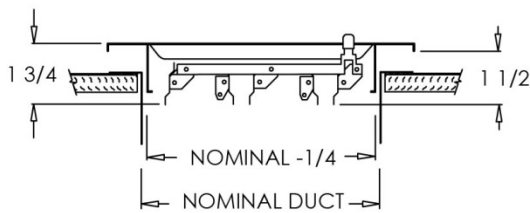
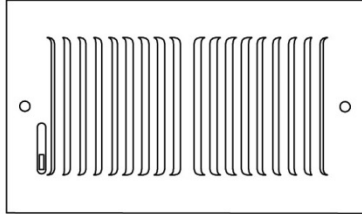
Project / Location:	Submittal Notes
Engineer:	
Architect:	
Contractor:	



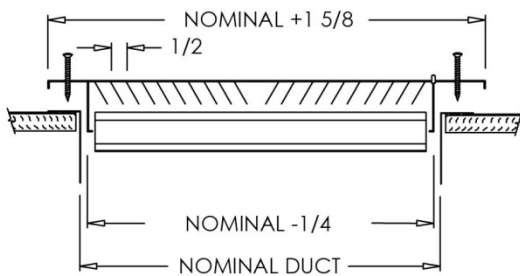
Commercial Submittal Sheet

850-O Series

2-Way Stamped Diffuser with Opposed Blade Damper



850-O



850-O

Model: 850-O
Description: 2-Way Stamped Diffuser with Opposed Blade Damper

Standard Features:

- 2-Way diffuser with stiffened 1/2" fan shaped louvers for silent operation
- For ceiling or sidewall applications
- Lever operated Opposed Blade Damper
- All component parts, rivets, linkage, and handle enclosed in valve to assure trouble-free operation
- Countersunk mounting holes for flush appearance with color matching Phillips posi-drive screws
- Soft White

Options:

Tamper Proof Screws

- "E" One Way "F" Torx Center Pin "G" Hex Center Pin

Finishes:

Standard Colors

- Soft White
 Driftwood Tan

Designer Colors

- Almond Coffee Tan
 Black Velvet Navajo White
 Bronze Vanilla
 Camaro Silver

Additional Information:

Project / Location:	Submittal Notes
Engineer:	
Architect:	
Contractor:	