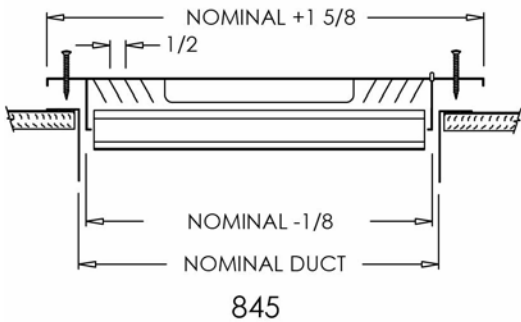
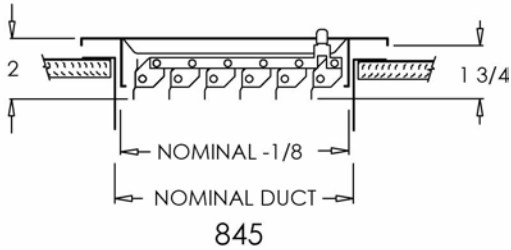
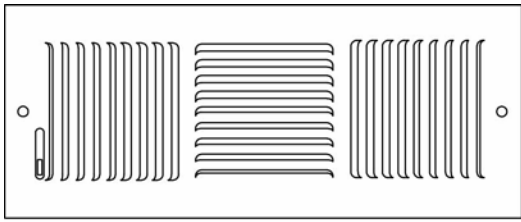




Commercial Submittal Sheet

845 Series

3-Way Stamped Diffuser



Model: 845

Description: 3-Way Stamped Diffuser

Standard Features:

- 3-Way diffuser with stiffened 1/2" fan shaped louvers for silent operation
- For ceiling or sidewall applications
- Lever operated multi-shutter damper
- All component parts, rivets, linkage, and handle enclosed in valve to assure trouble-free operation
- Countersunk mounting holes for flush appearance with color matching Phillips posi-drive screws
- Soft White

Options:

- Lever operated Opposed Blade Damper (845-0)

Tamper Proof Screws

- "E" One Way
- "F" Torx Center Pin
- "G" Hex Center Pin

Finishes:

Standard Colors

- Soft White
- Driftwood Tan

Designer Colors

- Almond
- Black Velvet
- Bronze
- Camaro Silver
- Coffee Tan
- Navajo White
- Vanilla

Custom Plating

- Antique Brass
- Black Nickel
- Oil Rub Bronze
- Pewter
- Polished Brass
- Polished Chrome
- Satin Nickel

Additional Information:

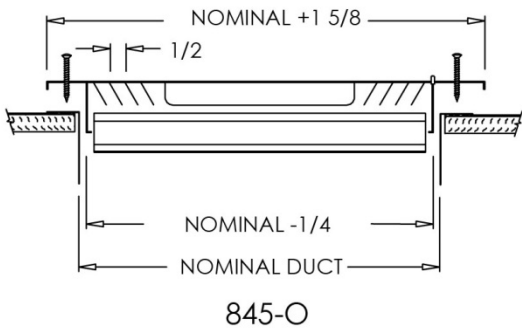
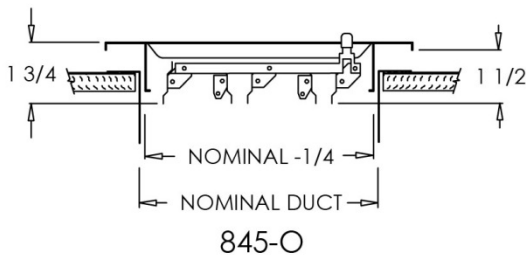
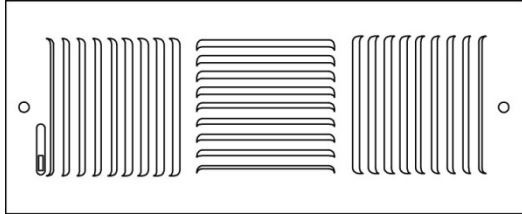
| | |
|---------------------|------------------------|
| Project / Location: | Submittal Notes |
| Engineer: | |
| Architect: | |
| Contractor: | |



Commercial Submittal Sheet

845-O Series

3-Way Stamped Diffuser with Opposed Blade Damper



Model: 845-O

Description: 3-Way Stamped Diffuser with Opposed Blade Damper

Standard Features:

- 3-Way diffuser with stiffened 1/2" fan shaped louvers for silent operation
- For ceiling or sidewall applications
- Lever operated Opposed Blade Damper
- All component parts, rivets, linkage, and handle enclosed in valve to assure trouble-free operation
- Countersunk mounting holes for flush appearance with color matching Phillips posi-drive screws
- Soft White

Options:

Tamper Proof Screws

- "E" One Way
 "F" Torx Center Pin
 "G" Hex Center Pin

Finishes:

Standard Colors

- Soft White
 Driftwood Tan

Designer Colors

- Almond Coffee Tan
 Black Velvet Navajo White
 Bronze Vanilla
 Camaro Silver

Additional Information:

| | |
|---------------------|------------------------|
| Project / Location: | Submittal Notes |
| Engineer: | |
| Architect: | |
| Contractor: | |