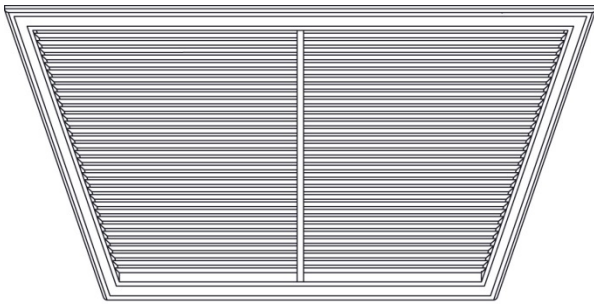




Commercial Submittal Sheet

900T Series

Fixed 45° Blade Return Air Grille T-Bar



Model: 900T

Description: Fixed 45° Blade Return Air Grille T-Bar

Standard Features:

- 2 x 2 fixed blade T-Bar lay-in return air grille
- Blades fixed at 45°
- Extruded aluminum frame with signature line marks
- Square collar designed for 22" x 22" duct
- Soft White

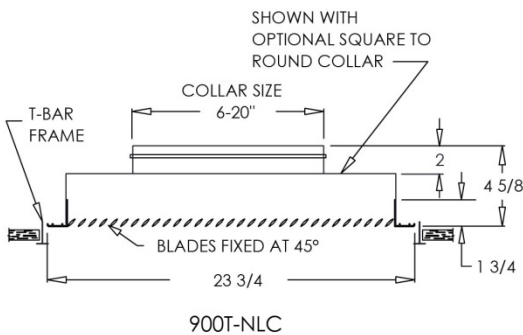
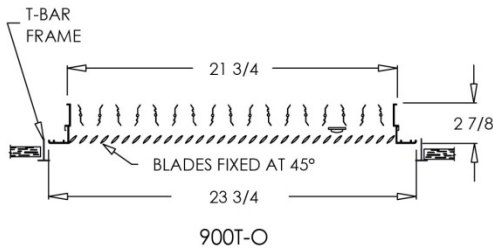
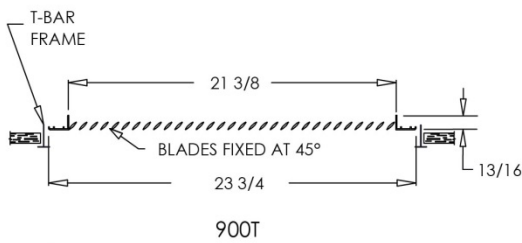
Options:

- Recessed screwdriver operated Opposed Blade Damper (900T-0)
- Square to round ADC compliant 2" No Labor Collar with roll formed retention bead (900T-NLC)
- 1 x 2 T-Bar (10" x 22" duct)
- 2 x 4 T-Bar (22" x 46" duct)

Finishes:

Other

- Satin Anodized



Additional Information:

Project / Location:
Engineer:
Architect:
Contractor:

Submittal Notes