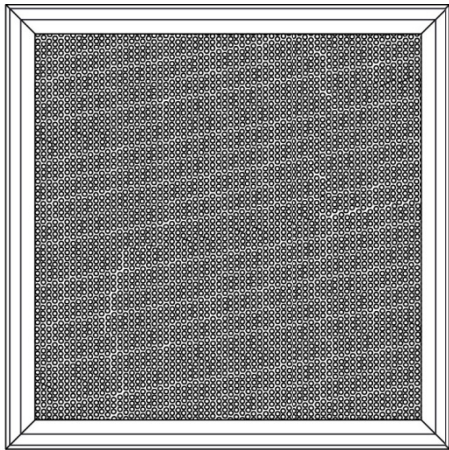




Commercial Submittal Sheet

600PT Series

Perforated Return Air Grille T-Bar



Model: 600PT

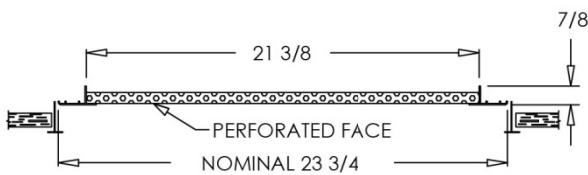
Description: Perforated Return Air Grille T-Bar

Standard Features:

- 2 x 2 perforated face T-Bar lay-in return air grille
- Extruded aluminum frame with signature line marks
- $\frac{3}{16}$ " holes on $\frac{1}{4}$ " staggered centers
- 58% free area
- Square collar designed for 22" x 22" duct
- Soft White

Options:

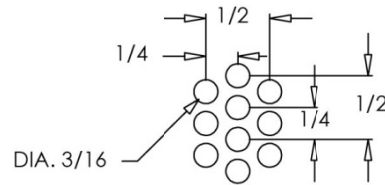
- Recessed screwdriver operated Opposed Blade Damper (600PT-0)
- Square to round ADC compliant 2" No Labor Collar with roll formed retention bead (600PT-NLC)
- 1 x 1 T-Bar (10" x 10" duct)
- 1 x 2 T-Bar (10" x 22" duct)
- 2 x 4 T-Bar (22" x 46" duct)
- Fiberglass Back Plenum: Preformed, contour molded fiberglass back with a foil barrier backing (601PT)



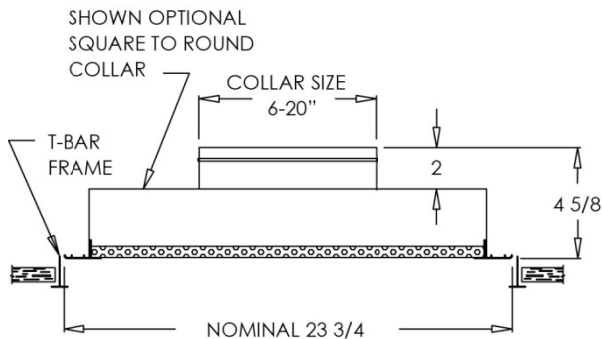
600PT



600PT-O



Perforated Screen Detail



600PT-NLC

Additional Information:

Project / Location:
Engineer:
Architect:
Contractor:

Submittal Notes