



CEILING RADIATION DAMPER
 FOR WOOD TRUSS CEILING ASSEMBLIES.
 ETL CLASSIFIED UL263/E119 DUCTED •
 FIBERGLASS PLENUM • SIDE INLET
MODEL: 557RDD



QUALIFICATIONS:

- ETL CLASSIFIED UL263/E119 CEILING DAMPER.
- 1 hour rated for use in floor/ceiling design numbers L550/L562/L574/L579/L585/M503,L563,L546,L521, L528,L530,L570,L586 and roof/ceiling design numbers P531/P538/P545/P522/P552 ,P533,P548.
- Meets NFPA 90A requirements

DESCRIPTION:

Ceiling dampers are designed to function as a heat barrier in air handling openings penetrating fire resistive membrane ceilings. The Model Series 557RDD has been especially designed to provide protection and simple installation in specific design wood truss ceiling assemblies.

Model 557RDD is designed for installation in the supply (or return) ductwork take-off from an AHU where it penetrates the ceiling and provides a multiple-outlet plenum to feed 557RDD/grille or diffuser assemblies. May also be used as a return.

CONSTRUCTION:

1. Listed fusible link, 212°F (100°C) standard.
2. Blades: 21 ga. G60 roll-formed galvanized steel.
3. Blade Insulation: Non-asbestos Classified.
4. Damper frame: 21 ga. G60 galv. steel.
5. Fiberglass plenum (by Royal or others). Fiberglass duct board with fire resistant foil-scrim-kraftfacing. 181 Class I Classified. Assembled with Listed fire resistant tape. R-value determined by local code
6. Cutting and installation of collars for Classified Class 0 or I Flexible Air Duct connection by others. Maximum of three.
7. Damper sub-frame with plaster flange. 24 ga. max. galvanized steel.
8. Damper sleeve is extended below ceiling for ducted connection.

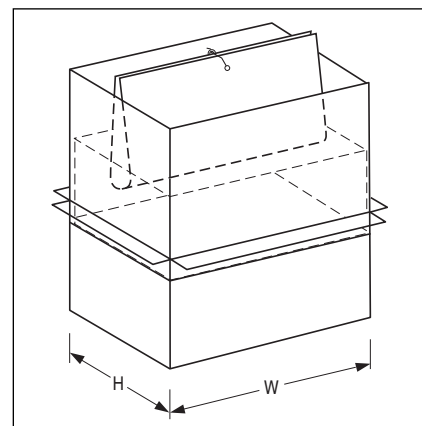
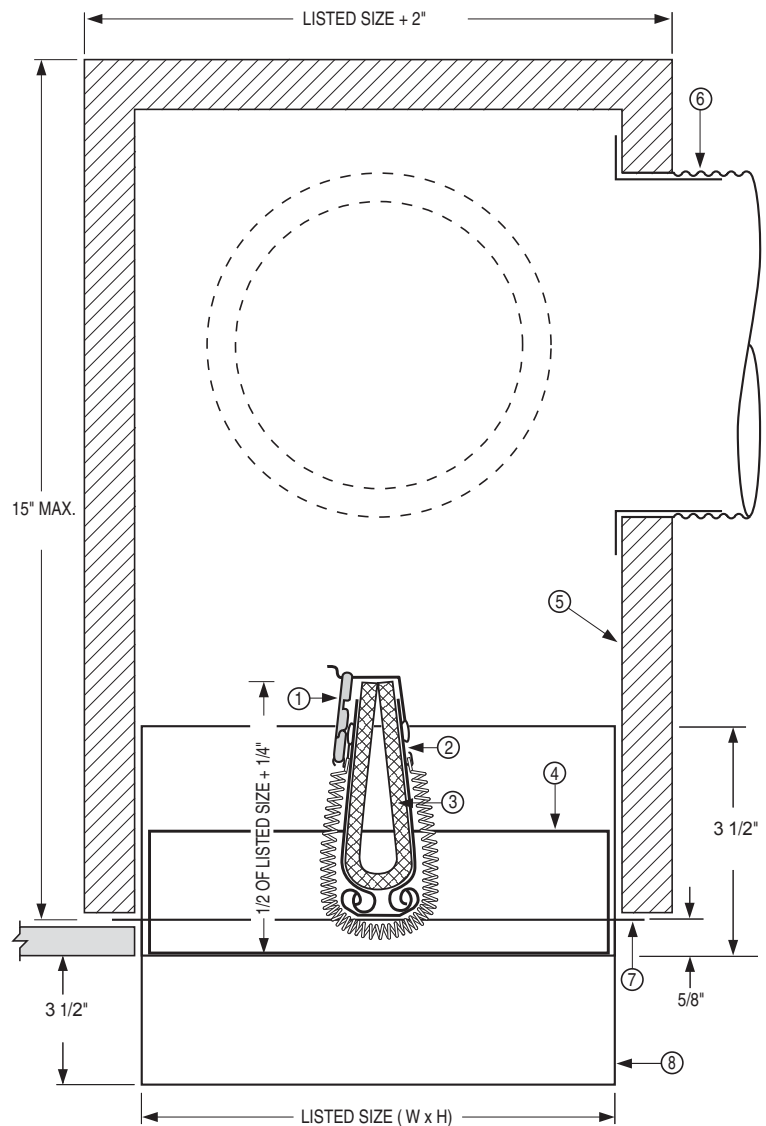
OPTIONS:

1. Non-standard temp. Listed fusible link
 - 165°F (74°C)
2. Installation Support Angles. 26" long.
 - ISB 2 @ 3/4" x 3/4" x 16 ga.
 - Std Boot Rail

NOTES:

Minimum Size: 4" W x 4" H

Maximum Size: 256 sq. Inches no side may exceed 16"
 Custom sleeve available



Dimensions are in inches

MODEL 557RDD