



100 Royal Way
 Temple, GA 30179
 Phone (800) 520-6593

SPECIFICATION DATA SHEET

**MODEL No. 525R6
 Top Outlet Insulated Box**

Date: 12-4-14

DIMENSIONAL DATA

<u>Register Size</u>	<u>Collar</u>	<u>Actual Dimensions</u>
<u>A X B</u>	<u>C</u>	
8x4	4,5	10x6
10x4	4,5,6	12x6
10x6	4,5,6,7,8	12x8
12x4	6	14x6
12x6	6,7,8	14x8
14x6	6,7,8	16x8
14x6	9	17x9

FABRICATION DATA

Material:

ASTM-A653 CS Type B Galvanized Steel,
 G-30 Coating LFQ Chemical Treatment

Gauge:

30GA
 28GA 14X8 and above

Assembly:

Ceiling Boot assembled with C-115 2/16" Zinc Coated Steel Rivets, has a rectangular opening with a 1" 90 deg Outboard Flange and 1/2" Drywall Flange. The collar is 3 1/2" tall roll formed 30GA Steel with 1/4" roll formed beading.

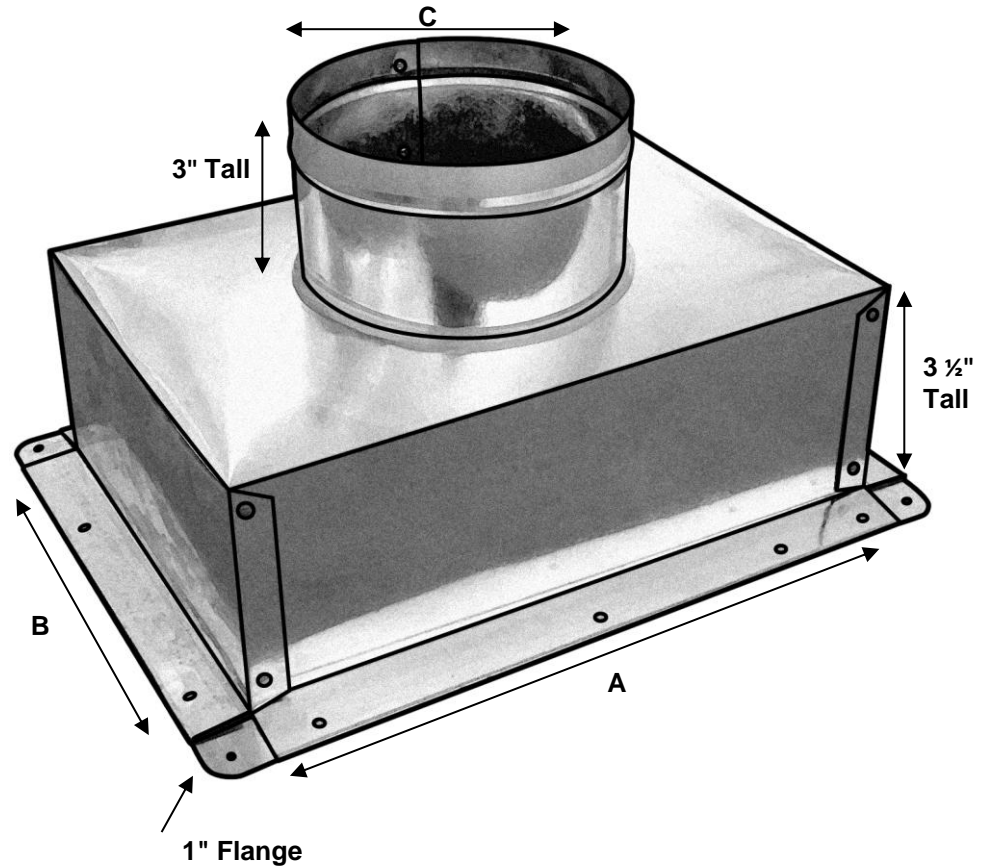
Insulation:

Knauf Equipment Liner M with ECOSE® Technology
 Available Thickness: R6 - 1 1/2"

ASTM C 1071, Type I, Flexible (replaces obsolete Federal Specification HH-I-545B.) NFPA 90A/90B, ASTM C 665/1617 Temperature Range (ASTM C 411), Microbial Growth (ASTM C1338, G21)

OPTIONS

525R6G: With fire retardant polyethylene foam double stick 3M Tape UL94 HF-1



Superior Quality, Superior Service, Superior Value.. that's the Royal Advantage