



100 Royal Way
 Temple, GA 30179
 Phone (800) 520-6593

SPECIFICATION DATA SHEET

Date: 10/28/2014

MODEL No. 231
Straight Stack Boot

DIMENSIONAL DATA

| A X B Register Size | C Collar | D | E | F Total Height |
|-------------------------------|--------------------|----------|----------|--------------------------|
| 3 1/4" x 10" | 4", 5" | 6" | 6" | 7 1/2" |
| 3 1/4" x 10" | 6" | 6" | 5" | 7 1/2" |
| 3 1/4" x 12" | 6" | 6 1/2" | 6 1/4" | 8 1/2" |
| 3 1/4" x 12" | 7" | 6 1/2" | 6 1/4" | 8 1/2" |
| 3 1/4" x 12" | 8" | 8 | 8 | 8 1/2" |
| 3 1/4" x 14" | 8" | 8 1/4" | 6 3/4" | 9 1/4" |

FABRICATION DATA

Material:

ASTM-A653 CS Type B Galvanized Steel,
 G-30 Coating LFQ Chemical Treatment

Gauge: 30GA

Assembly:

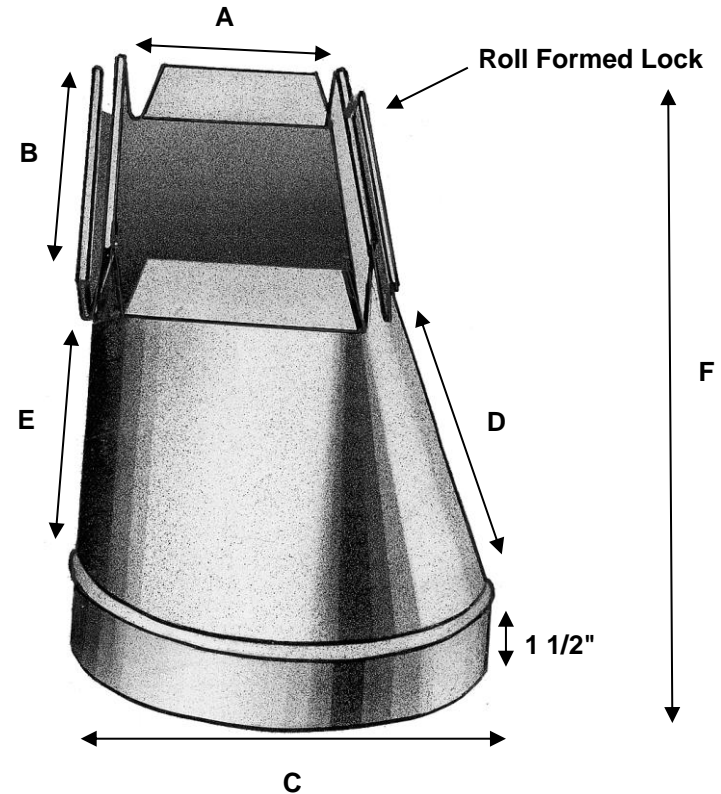
Assembled with C-115 2/16 zinc coated steel rivets

Collar:

Collar is 1 1/2" roll formed galvanized steel with 1/4" beading
 and 1/8" hemmed edge

Lock:

Lock is one piece roll formed Female End that will
 accept Royal Metal Wall Stack Male End #401



Superior Quality, Superior Service, Superior Value.. that's the Royal Advantage