

Sheet Metal Products for the HVAC Industry



Quality Products Since 1989

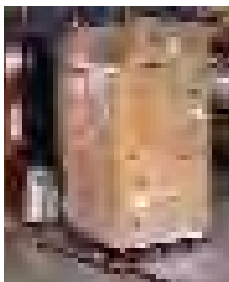
About Royal Metal Products

Royal Metal Products was founded in Douglasville, GA in 1989 by J.R. (Roy) Crider and Jim Ishee to create the premier manufacturer and provider of residential and light commercial HVAC sheet metal products in the Southeast and Mid-Atlantic.



In order to accomplish this goal, both owners committed to providing their customers with the highest quality products in the industry, sold at market price and supported with exceptional customer service.

This formula for success has led to consistent growth each year since its inception and the establishment of key partnerships with the highest caliber wholesalers throughout the Southeastern and Northeastern states.



To support the needs of our customer base and the growing housing market, Royal Metal has consistently invested in upgrading the plant facilities, equipment, manufacturing system, product research and development, and customer service initiatives. As a result, plant operations now produce over 2,500 different HVAC products supported by core products of metal pipe, elbows, ductwork, register boots, insulated boxes, collars, wyes, tees, flexible duct and other fittings.

In 2005, Royal Metal Products built a new state-of-the-art manufacturing facility in Temple, GA and in 2007 expanded with another 60,000 square feet. Together with the original Douglasville plant, we now have over 300,000 square feet of manufacturing and warehouse space. In addition, the manufacturing facility is supported by an internal machine shop with professionally trained machinists, and a shipping department which includes a fleet of company owned trucks.



Plant employees of Royal Metal Products are all incentivized for piece production above set standards which has resulted in high productivity, low turnover and unmatched product quality over the years.

The future has certainly been anticipated and embraced by Royal Metal Products and we stand ready to serve your needs.



Table of Contents

<i>Product Line</i>	<i>Page</i>		
Policies	4		
Elbows	5		
Angles	5		
Furnace Pipe	5		
Oval Pipe/Elbows/Fittings	6		
Stack Boots	7		
Stackheads	7		
Floor Register Boots	8		
Ceiling Register Boots	9		
Diffuser Boxes	10		
Return Boxes	10		
Tees, Wyes & Reducers	11		
Tab Collars & Dampers	12		
Spin Fittings	13		
Air-Tite Takeoffs	14		
Conical Spin Fittings	15		
Conical Spin Fittings with Airtite Gasket	15		
Takeoffs for Metal & Duct Board	16		
High Efficiency Takeoffs	17		
Insulated Boxes	18		
Ceiling Radiation Damper Assemblies	19		
Wall Stack & Fittings	20		
Rectangular Duct Work	21		
Rectangular Reducers & Caps	21		
Rectangular Elbows & Angles	21		
Rectangular Collars	21		
Rectangular Duct Returns & Accessories	22		
Plenums	22		
Vent Tops & Flashings	23		
Accessories	24-25		
<i>Flat Full Hem S-Lock</i> 24	<i>Ceiling Collar</i> 24	<i>Hanging Strap</i> 24	<i>Line Set Covers</i> 25
<i>Standing Seam S-Lock</i> 24	<i>Boot Rail</i> 24	<i>Collar Start/Heat Shield</i> 25	<i>Line Set Cap</i> 25
<i>Drive Cleat</i> 24	<i>Hanging Rail</i> 24	<i>Can Stock</i> 25	<i>U-Channel</i> 25
<i>Duct Hanger</i> 24	<i>Wall Cap</i> 24	<i>Transfer Grill Box</i> 25	<i>Florida Roof Vent</i> 25
<i>FHA Strap</i> 24	<i>Toe Plate</i> 24	<i>Thru the Wall Return Box</i> 25	
<i>Stud Guard</i> 24	<i>Draw Band</i> 24	<i>Drain Pan</i> 25	
Flexible Duct	26		

Policies

Freight Policies

All orders of \$5,000.00 or more are full freight allowed and are delivered on a Royal Metal Products Truck. Orders less than \$5,000.00 can also be delivered freight allowed if we have a delivery in the area. Orders that do not qualify for freight allowed are generally shipped best way with freight prepaid and added to the invoice. Drop shipments have a minimum order of \$5,000 and need to be within a 150 mile radius of your branch. Drop shipments over 150 miles require a minimum order of \$10,000.

Minimum Orders

Royal has no minimum size requirement for an order. Add-ons are welcomed.

Credit Terms

Terms are 2% 10th Prox. Net 25th.

Return Goods

Our aim is for you to be completely satisfied with all of our products. Defective or damaged products will be replaced or credited at your option. Order errors or over stock may also be returned, but may be subject to a 15% restocking fee depending on Royals ability to resale. Special ordered products may not be returned. Please call the order department for authorization and the best way to return goods.

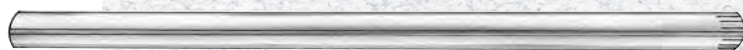
Acceptance of Orders

All orders are subject to acceptance by our sales department. Orders for less than our standard packaging quantity will be increased to the standard quantity. A standard packaging list is included with your catalog.

Pricing

Prices are subject to change without notice, however, when possible, Royal Metal Products will give a 30 day written notice. Call 1-800-520-6593 for pricing inquiries.

Furnace Pipe



10' Conductor Pipe

Packed: 5 pieces per bundle. Loose in crates or racks.

#101 Snaplock Furnace Pipe

Available in a variety of gauges and lengths

3" thru 24" diameter

Packed: Standard gauge -
10 pieces per bundle
26 gauge -
5 pieces per bundle

**Also available in aluminum,
stainless or matte black**



Modified
Reeves
Snaplock or
Button Lock



Elbows



#111 Adjustable 90° Elbow

Packed: 24 per box - 3"
12 per bundle - 4"-10"
4 per bundle - 12"-24"

Boxed: 3"-16" (except 9"), all gauges

**Also available in aluminum,
stainless or matte black**

Angles



#121 Adjustable 45° Angle

2 piece - 4"-12"
3 piece - 14"-24"
Packed: 24/bundle - 6"-10"
6/bundle - 12"-20"

Oval Pipe/Elbows/Fittings

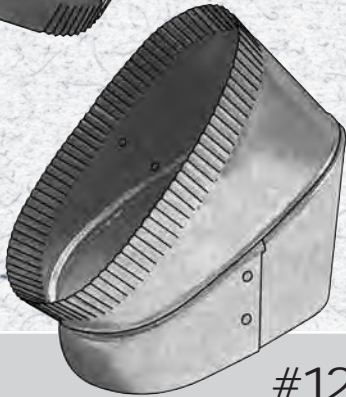
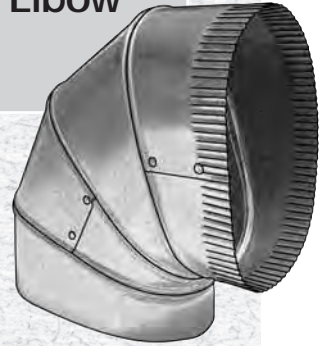


#103
Oval Pipe
5, 6 & 7" diameter
100" lengths

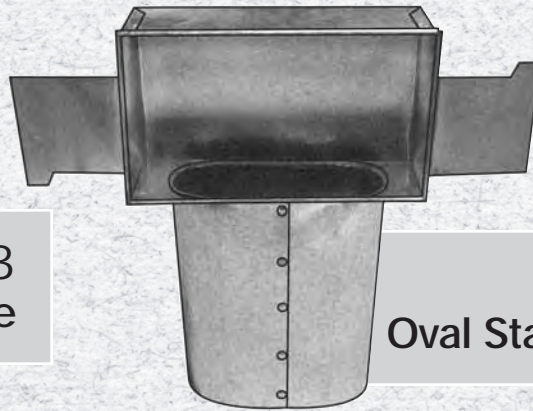


#112
Oval
Vertical 90° Elbow

#113
Oval
Flat 90°
Elbow



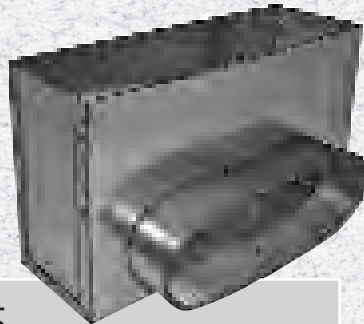
#123
Oval Flat 45° Angle



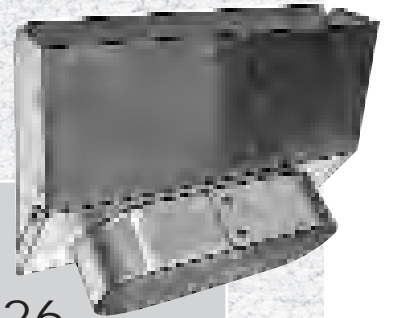
#224
Oval Stackhead



#124
Oval
Vertical
45° Angle



#225
Oval 90° Register Box

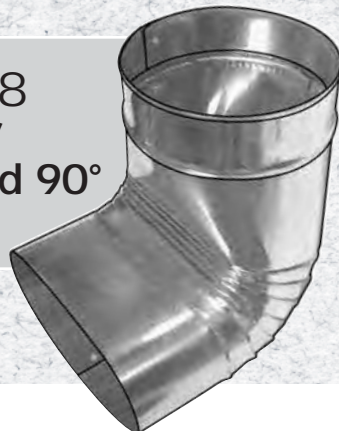


#226
Oval 45°
Register Box



#247
Oval/
Round
Straight
Boot

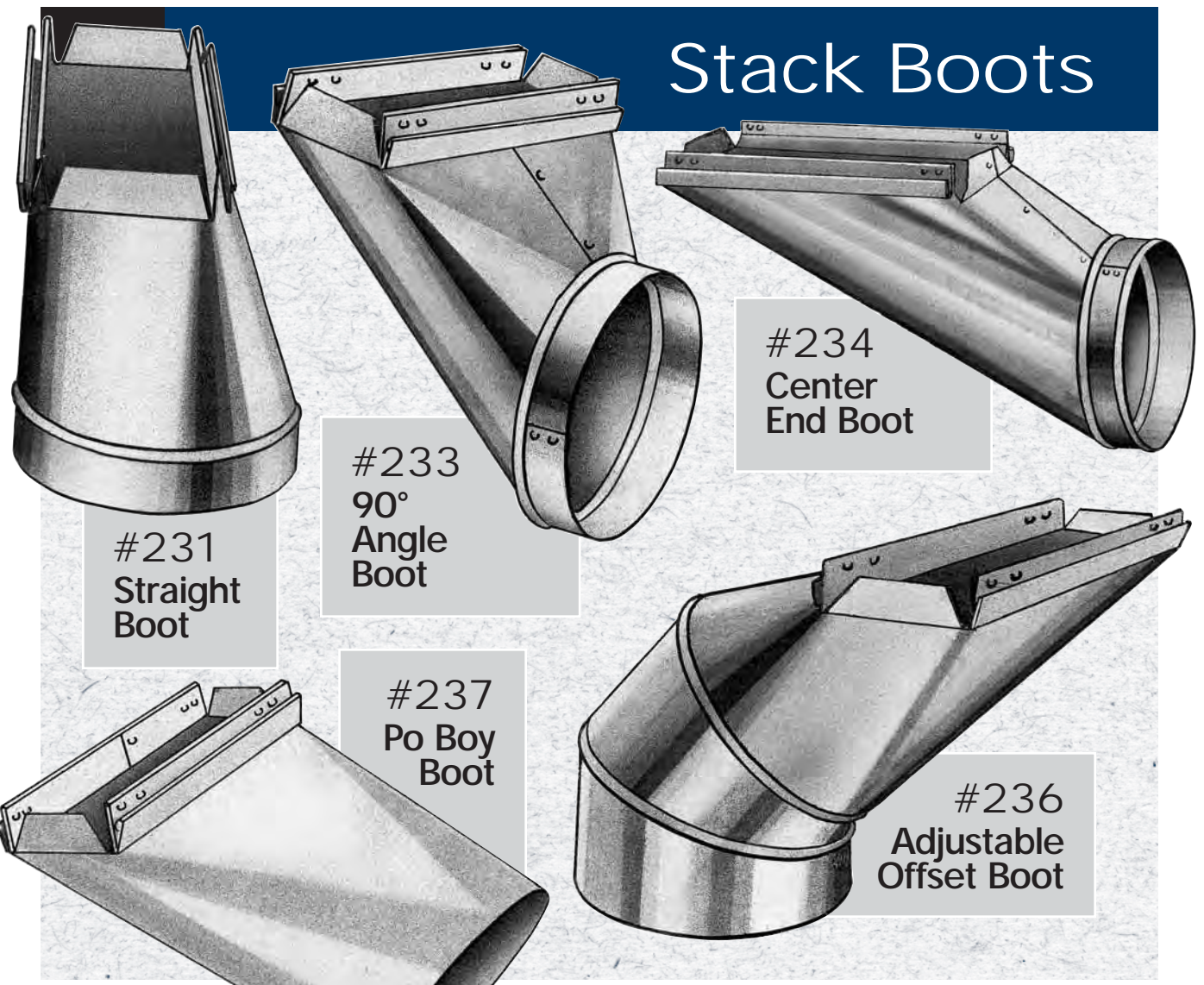
#248
Oval/
Round 90°
Boot



#249
Oval/
Round
End
Boot



Stack Boots



#231
Straight
Boot

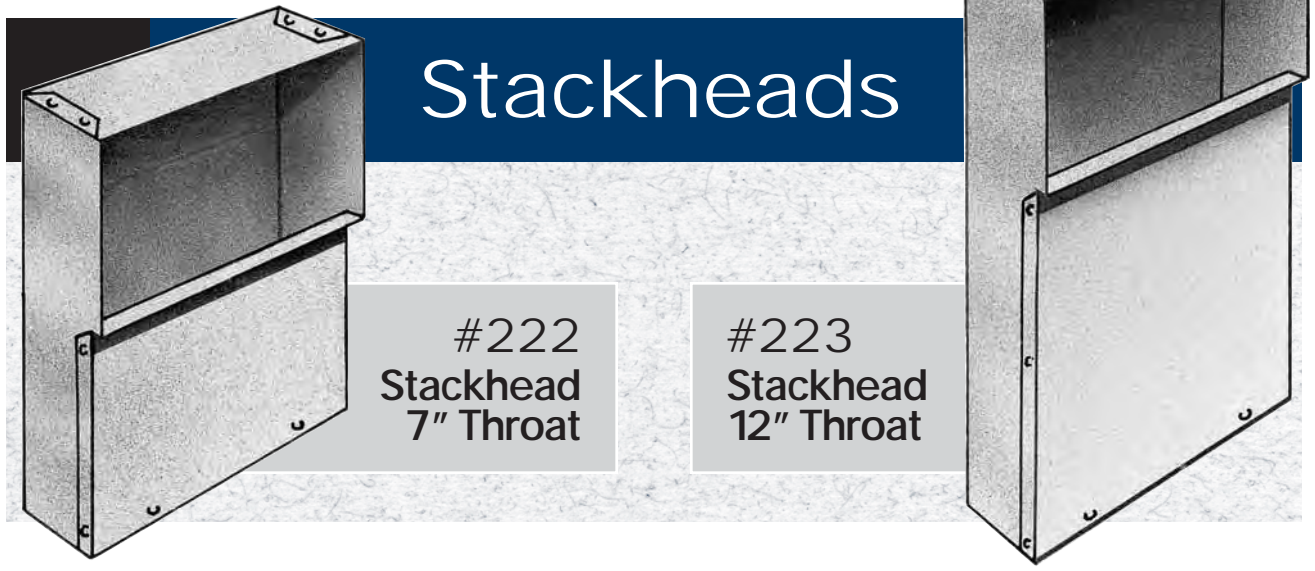
#233
90°
Angle
Boot

#234
Center
End Boot

#237
Po Boy
Boot

#236
Adjustable
Offset Boot

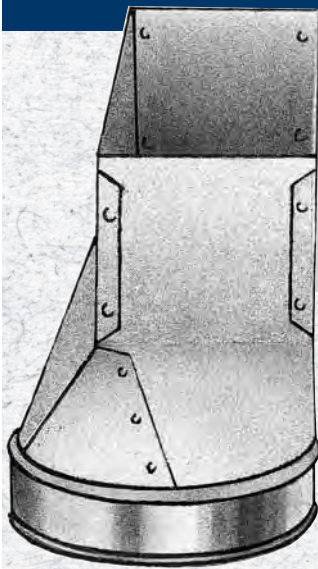
Stackheads



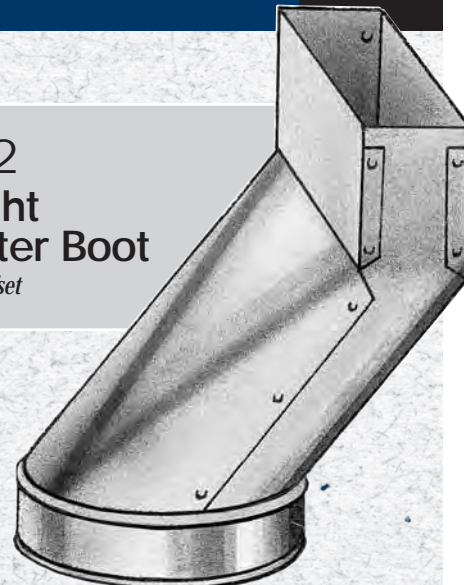
#222
Stackhead
7" Throat

#223
Stackhead
12" Throat

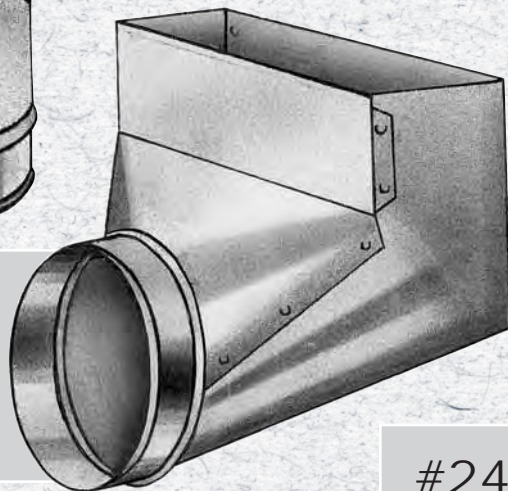
Floor Register Boots



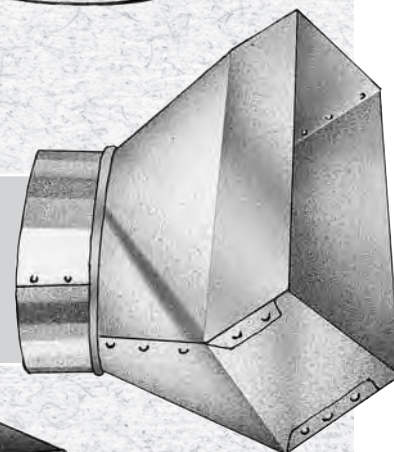
#241
Straight Back
Register Boot



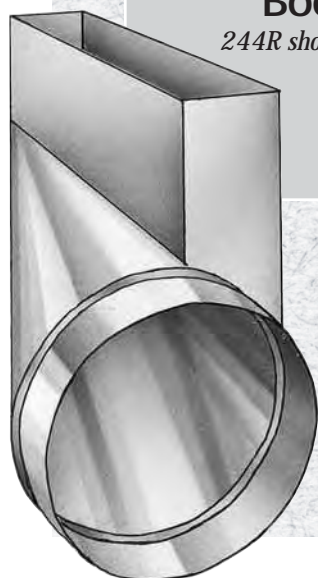
#242
Straight
Register Boot
with 2" offset



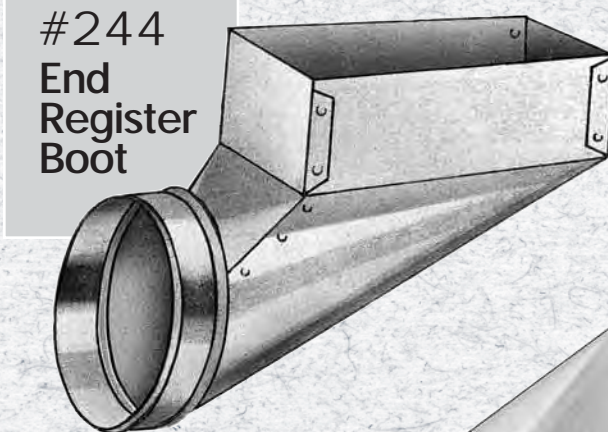
#243
90°
Register
Boot



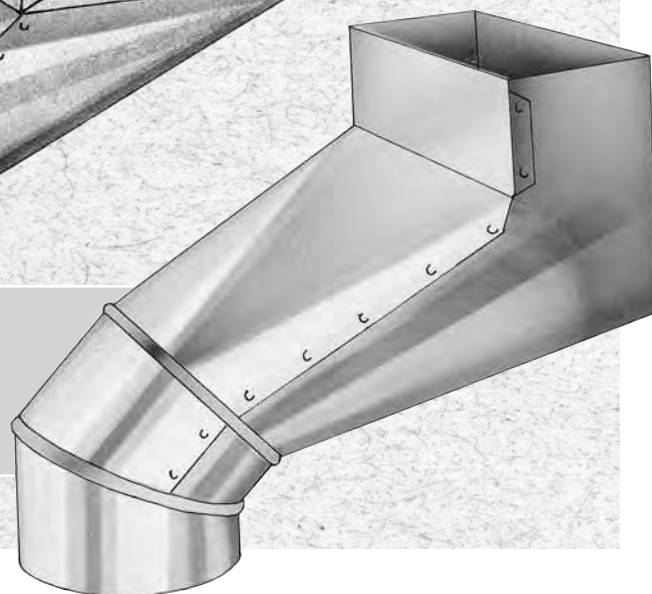
#243S
45° Register
Boot



#244R
or
#244L
Left or
Right
Register
Boot
244R shown

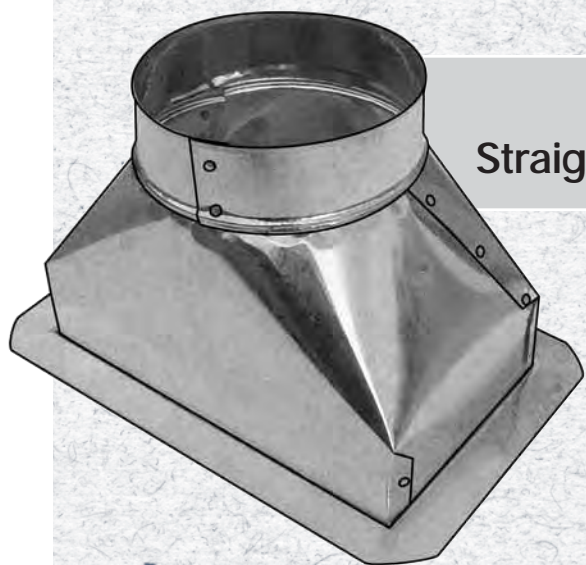


#244
End
Register
Boot



#246
Adjustable
Register Boot

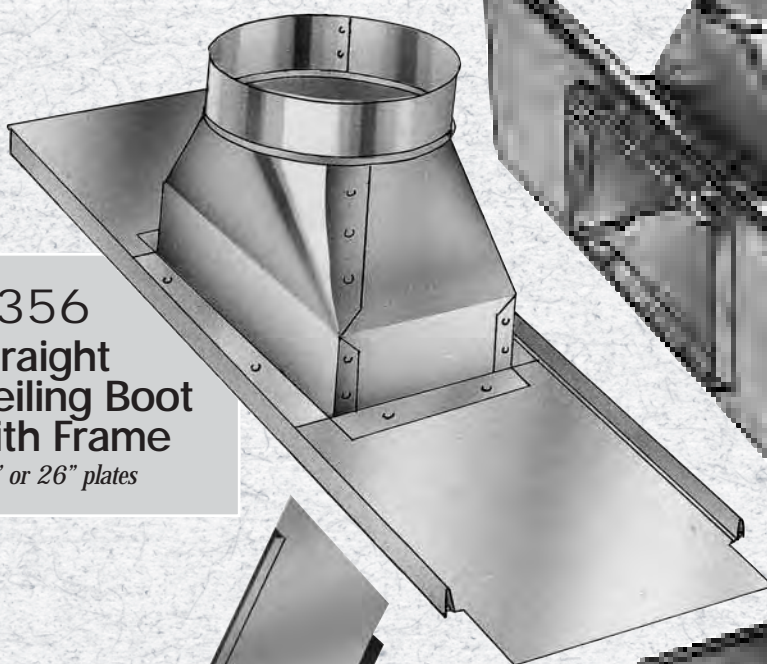
Ceiling Register Boots



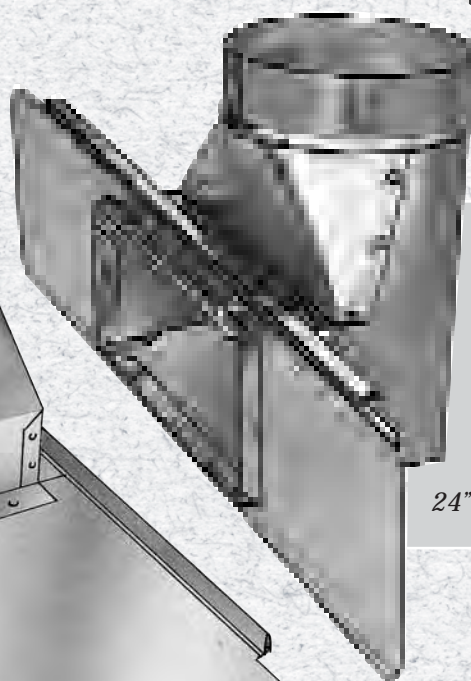
#241F
Straight Ceiling Boot



#243F
90° Flanged
Boot



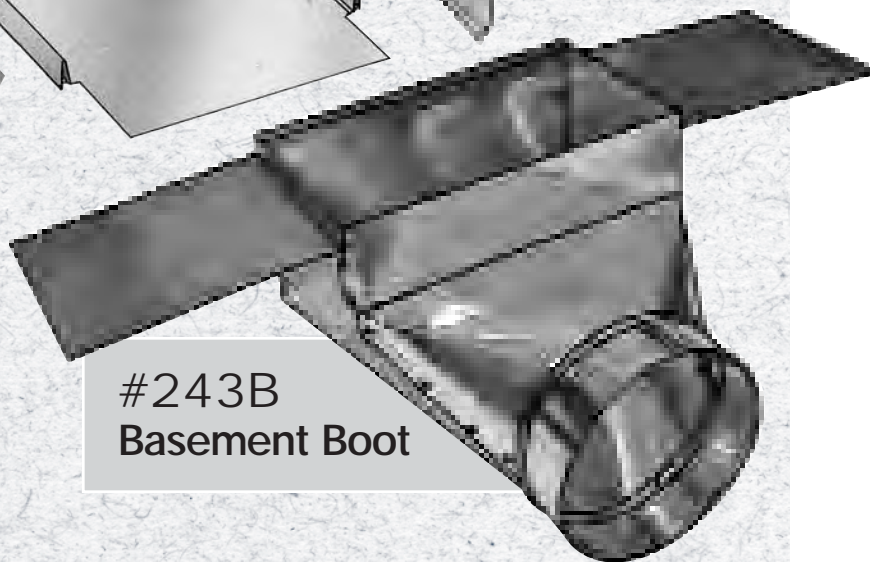
#356
Straight
Ceiling Boot
with Frame
24" or 26" plates



#357
90°
Ceiling
Boot
with
Frame
24" or 26" plates

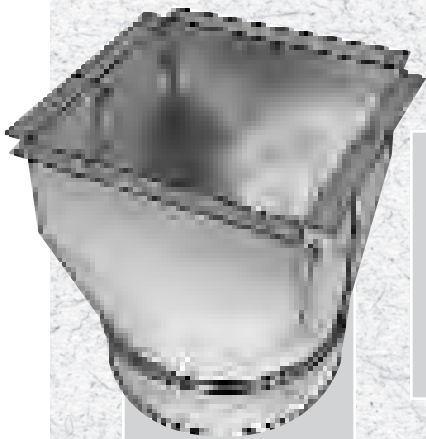


#PF
Plaster
Frame
24" or 26"



#243B
Basement Boot

Diffuser Boxes

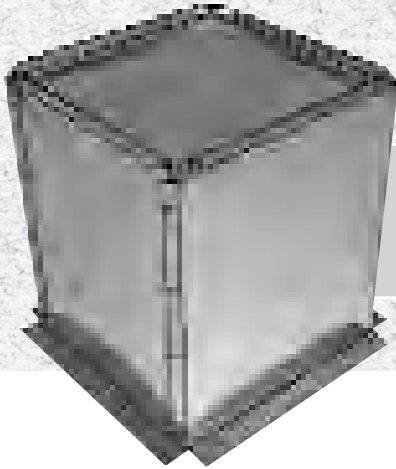
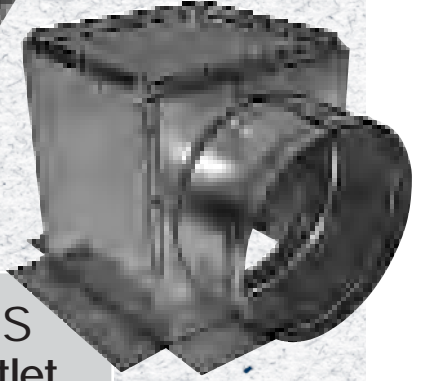


#241P
Funnel
Pan

#241WF
Square
to Round
Ceiling Box
2" flange



#355FS
Side Outlet
Diffuser Box



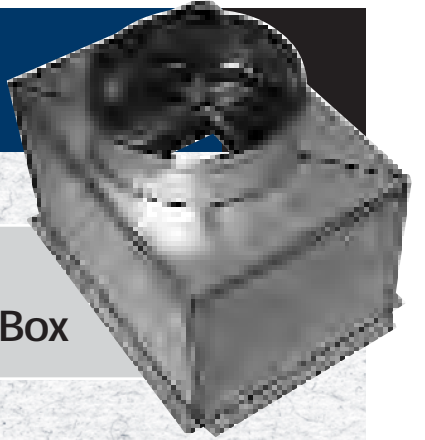
#355F
Square Diffuser Box

Return Boxes



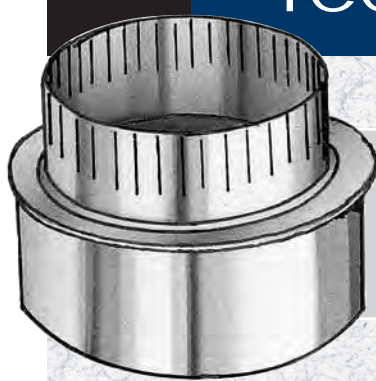
#353
Register
Box

#354
Mobile Home Return Box



#421
Square/Rectangular
to Round Transition

Tees, Wyes & Reducers



#264
Short
Reducer

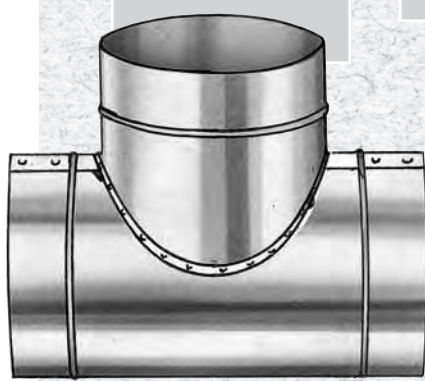


#265
Reducer
no crimp

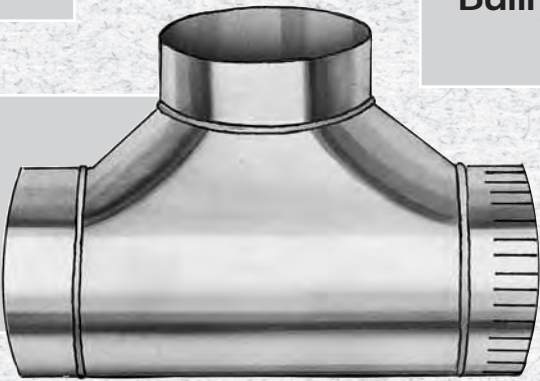


#272
Bullhead
Wye

#270
Tee Joint

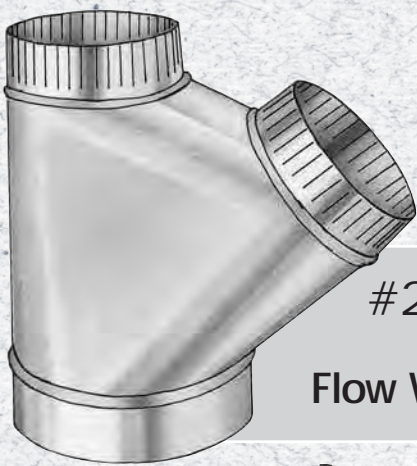
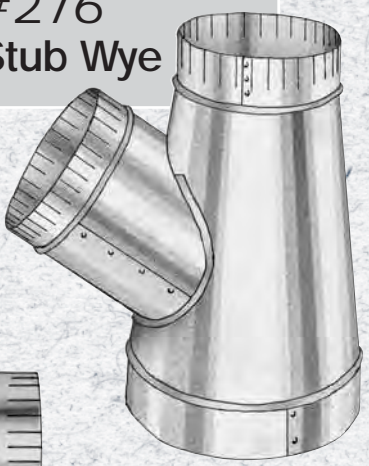


#271
Full
Flow
Tee

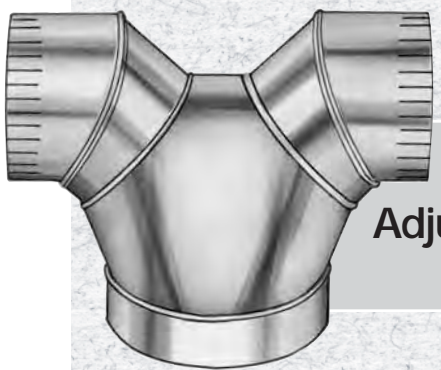


#276
Stub
Wye

#273
Tee Cap
*specify with or
without crimp*

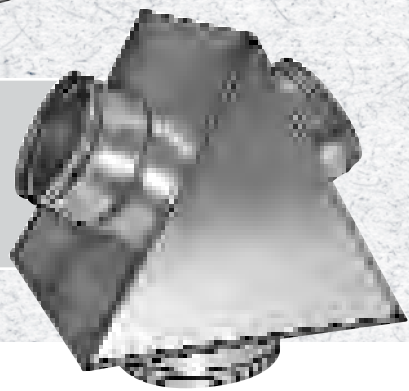


#277
Full
Flow
Wye

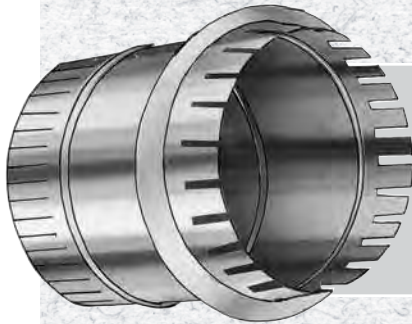


#279
Adjustable
Wye

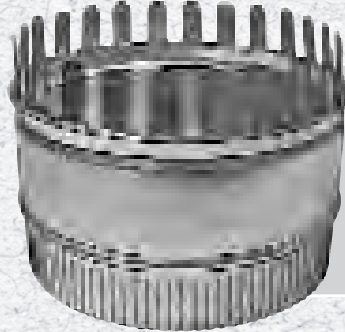
#IT
Insulated
Triangle
Wye



Tab Collars & Dampers

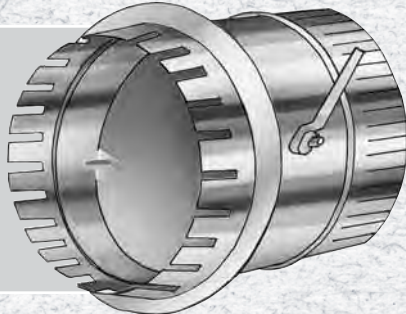


#261F
Duct Board
Starting
Collar

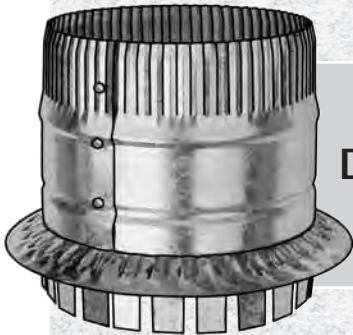
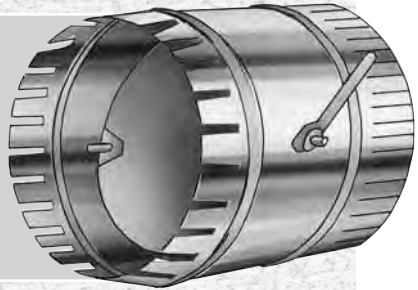


#261S
Metal
Starting
Collar

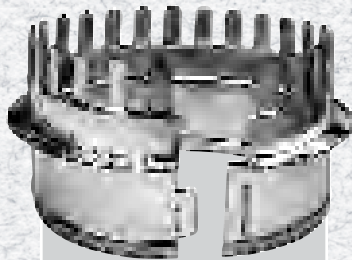
#310F
Duct Board
Starting
Collar
with damper



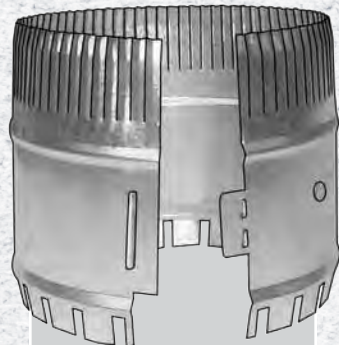
#310
Metal
Starting
Collar
with damper



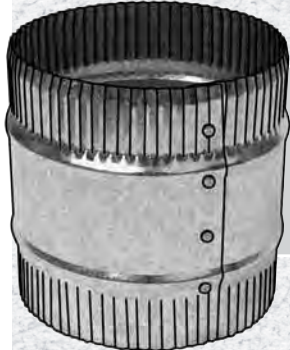
#261FM
Duct Board
Collar
for lay-in diffuser



#262
Snap
Collar for
Duct Board
*available nested,
snapped or snapped
with gasket*



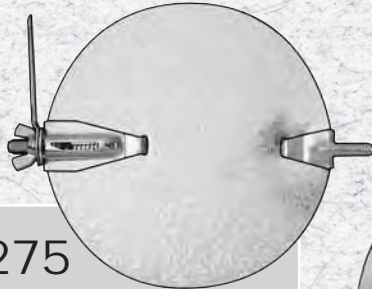
#263
Snap Collar
for Metal
shipped nested



#261SC
Flex
Connector

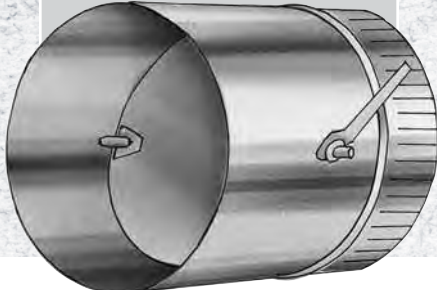


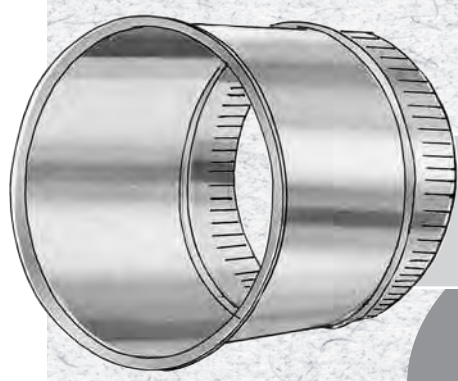
#211
Tab Collar
Ring



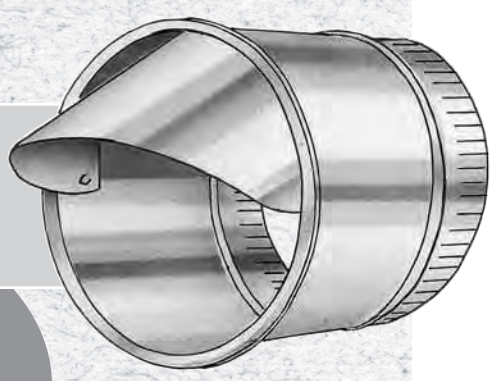
#275
Damper

#311
Round Damper
Section



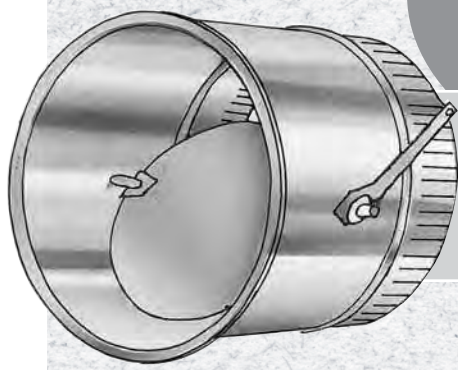


#700
Spin-In

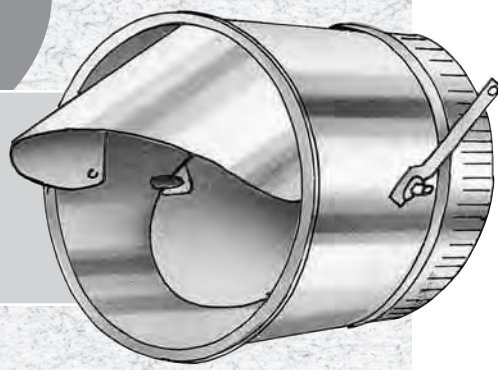


#701
Spin-In
with scoop

for Metal Duct

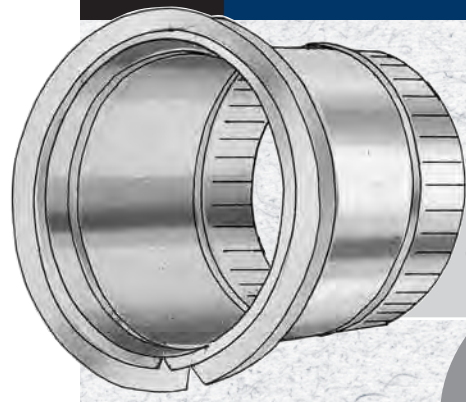


#702
Spin-In
with damper

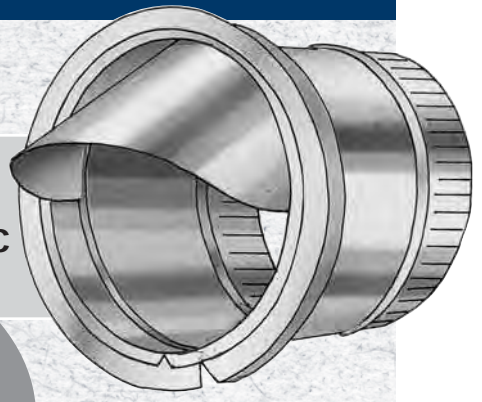


#703
Spin-In
with scoop & damper

Spin Fittings

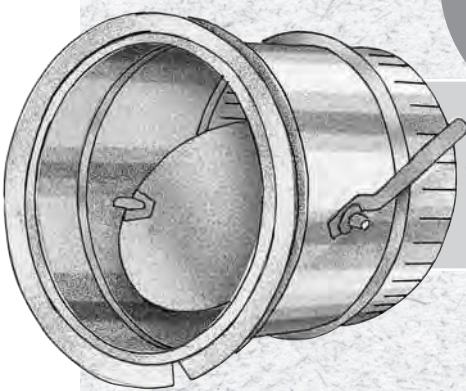


#600
Twist-Loc

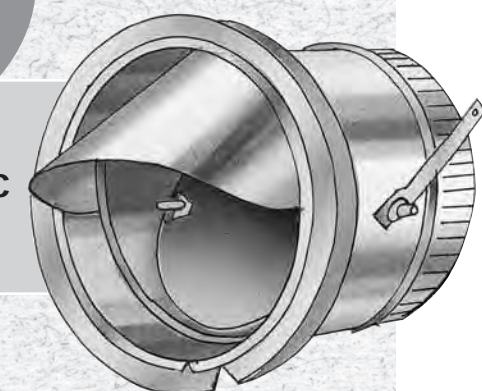


#601
Twist-Loc
with scoop

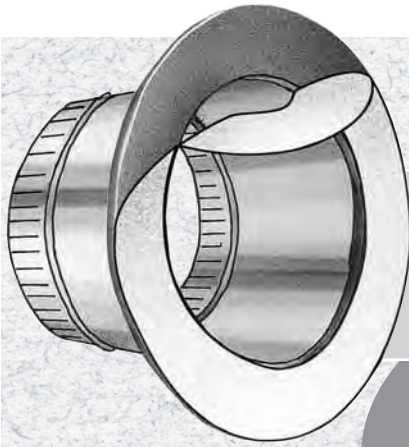
for Duct Board



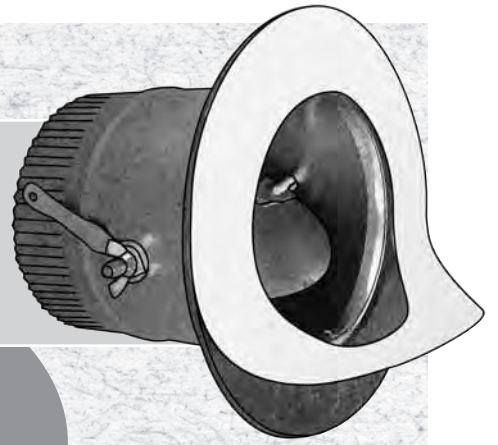
#602
Twist-Loc
with damper



#603
Twist-Loc
with scoop & damper

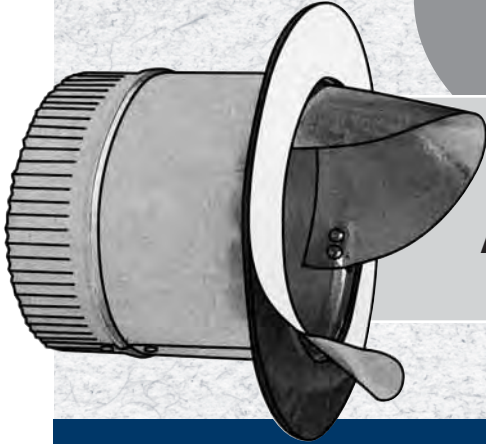


#167
Flat
Air-Tite

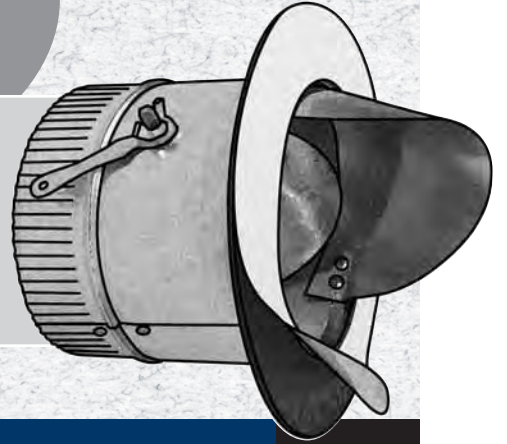


#168
Flat
Air-Tite
with damper

for Duct



#169
Flat
Air-Tite
with scoop



#170
Flat
Air-Tite
with scoop & damper

Air-Tite Takeoffs



#171
Round
Air-Tite



#172
Round
Air-Tite
with scoop

for Round Pipe



#173
Round
Air-Tite
with damper



#174
Round
Air-Tite
with scoop & damper

Conical Air-Tite Fittings



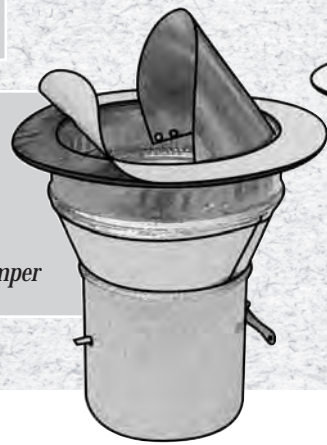
#800G
Air-Tite
Conical



#801G
Air-Tite
Conical
with scoop



#802G
Air-Tite
Conical
with damper

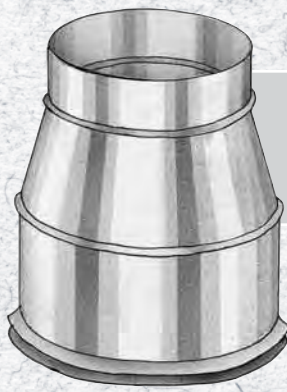


#803G
Air-Tite
Conical
with scoop & damper

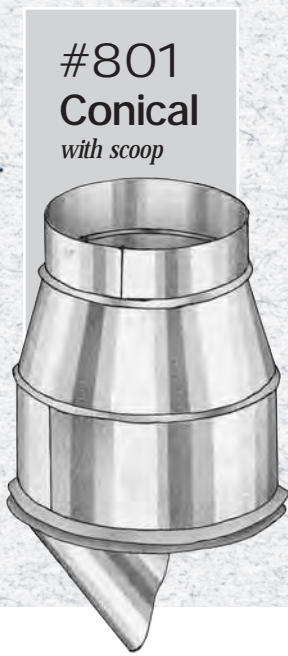


#803GRQ
Air-Tite Conical
with raised quadrant

Conical Spin Fittings



#800
Conical



#801
Conical
with scoop

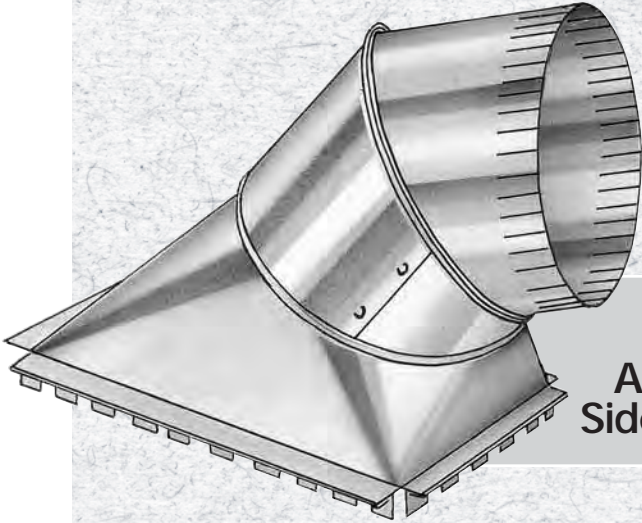


#803
Conical
with scoop & damper



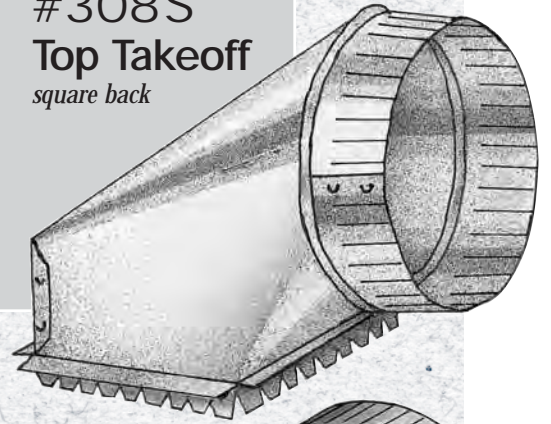
#802
Conical
with damper

Takeoffs for Metal & Duct Board

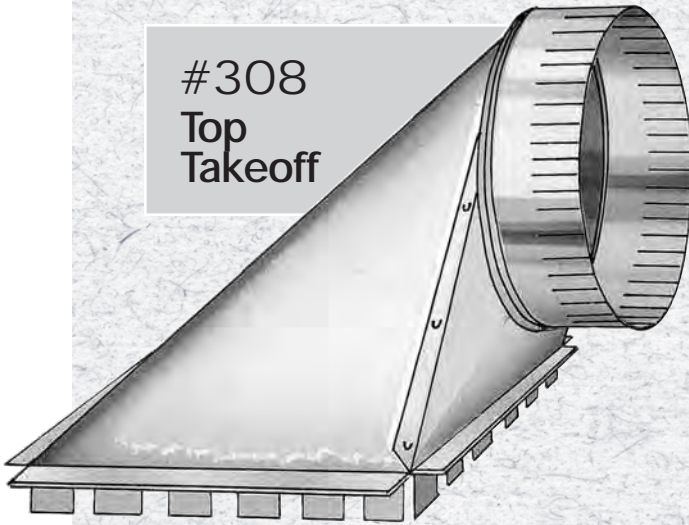


#306
Adjustable
Side Takeoff

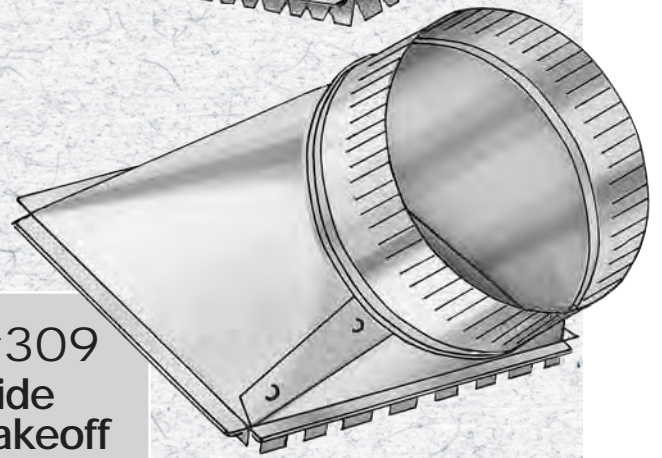
#308S
Top Takeoff
square back



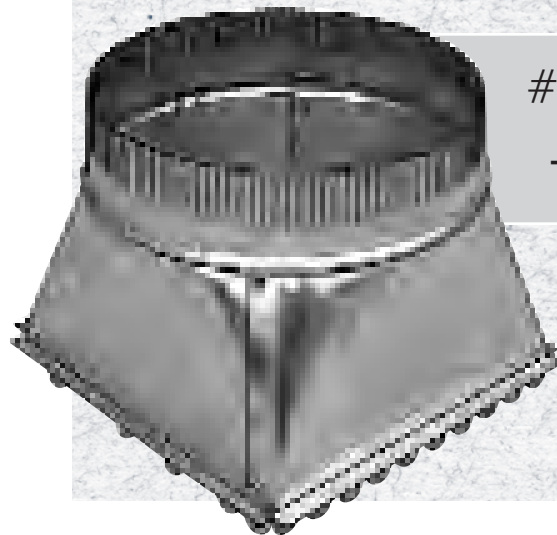
#308
Top
Takeoff



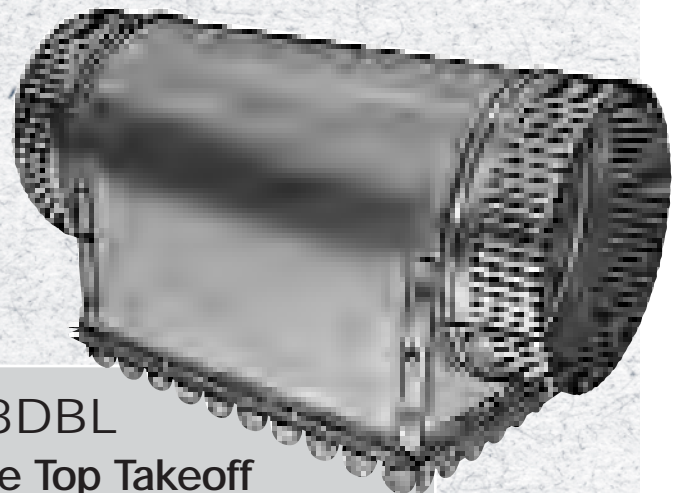
#309
Side
Takeoff



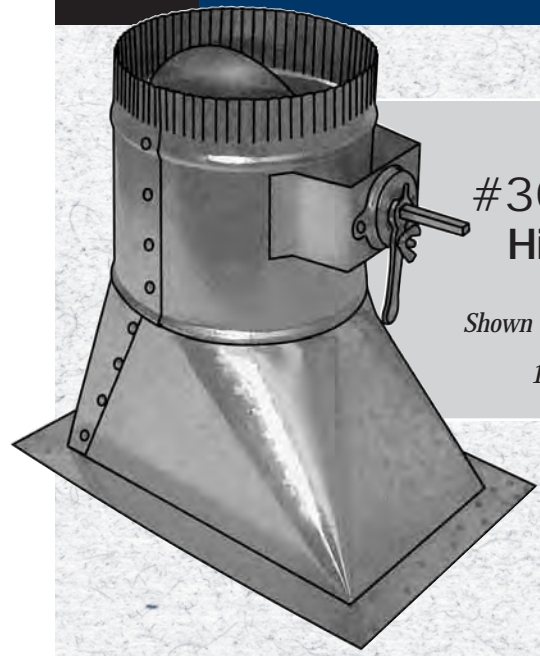
#309S
Side
Takeoff



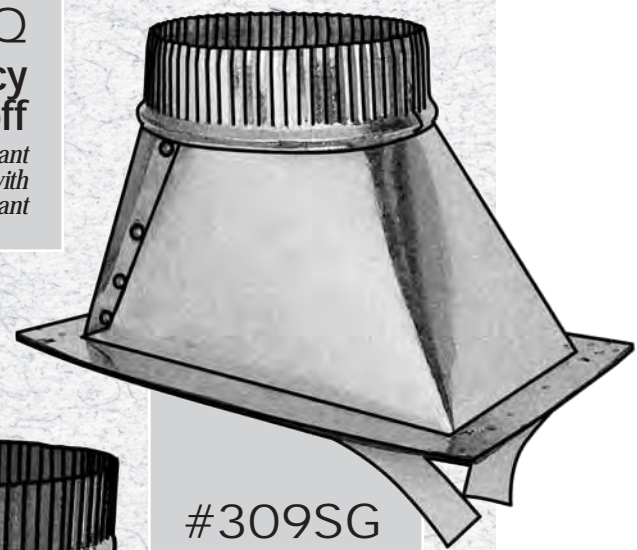
#308DBL
Double Top Takeoff



High Efficiency Takeoffs

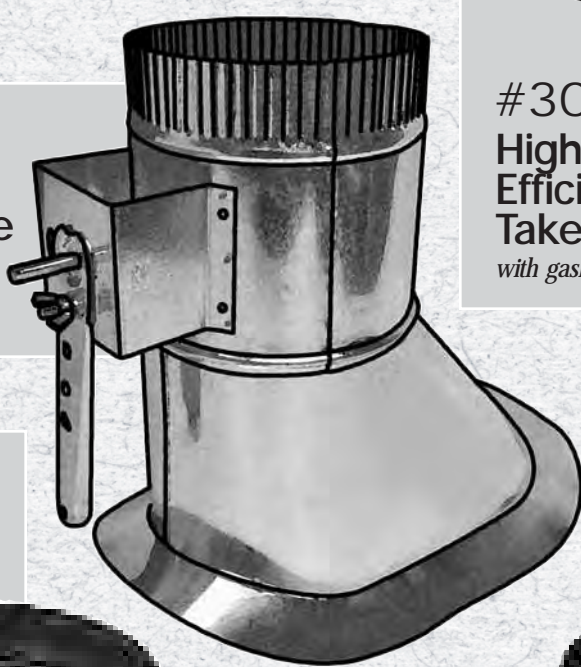


#309SDG
#309SDGRO
High Efficiency Takeoff
Shown with 1/2" raised quadrant damper. Available with 1/2" or 2" raised quadrant



#309SG
High Efficiency Takeoff
with gasket

#309RG
High Efficiency Takeoff for Pipe
with gasket
Available with 1/2" or 2" raised quadrant



#309STR
High Efficiency Takeoff

#309STRD
High Efficiency Takeoff
with damper



Insulated Boxes



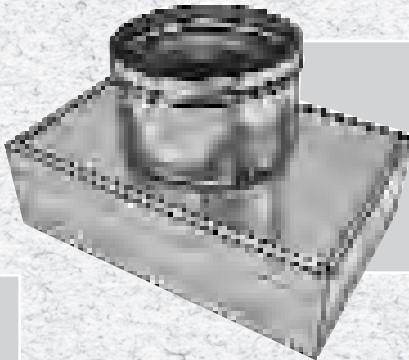
**#501
Insulated
Box**
6" tall



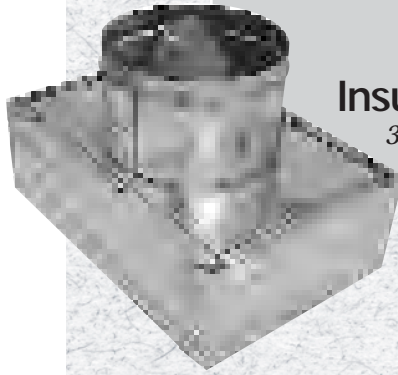
Insulated Box
#501E #501S
End outlet Side outlet



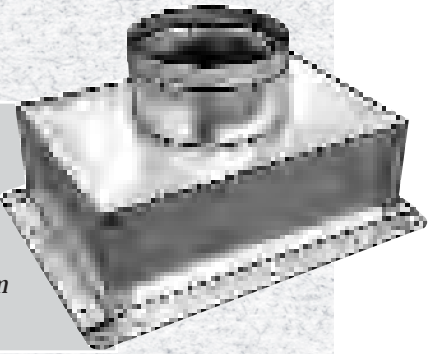
**#501TF
Top Flange
Insulated
Box**
6" tall



**#504
Insulated
Box**
3½" tall



**#504D
Insulated Box**
3½" tall with damper



**#505
Insulated
Box**
*3½" tall with bottom
flanged*



**#506
Insulated Box**
Flat top DB



**#506RAB
Insulated Return
Air Box**
*½" oversized
flat top DB*



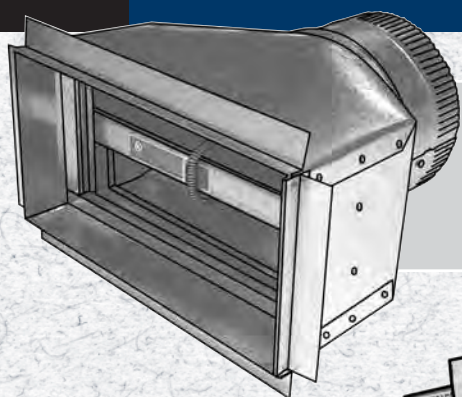
**#507
Insulated
45° Slant Top**
Available with or without flange



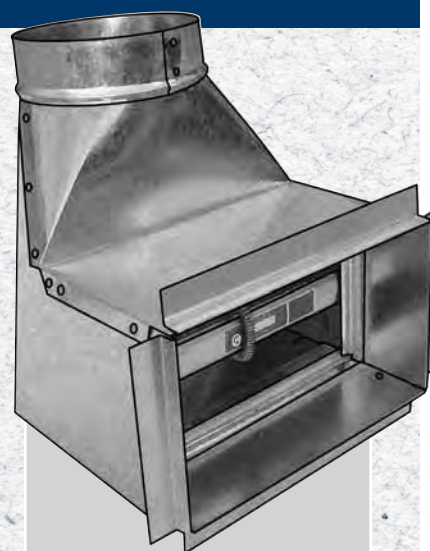
**#507E
Insulated 90°
Slant Top**
End outlet

All insulated boxes are available in R4, R6, or R8 insulation

Ceiling Radiation Damper Assemblies

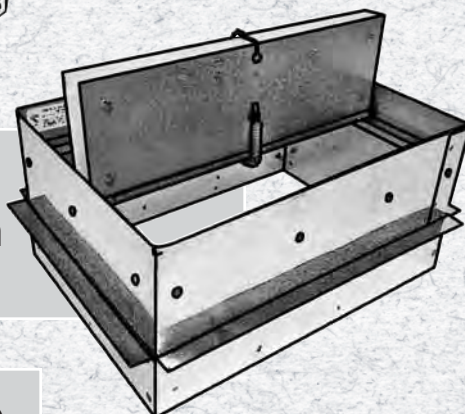


#241FRD
Straight Radiation
Damper Boot



#243FRD
90°
Non-Insulated
Radiation
Damper Boot

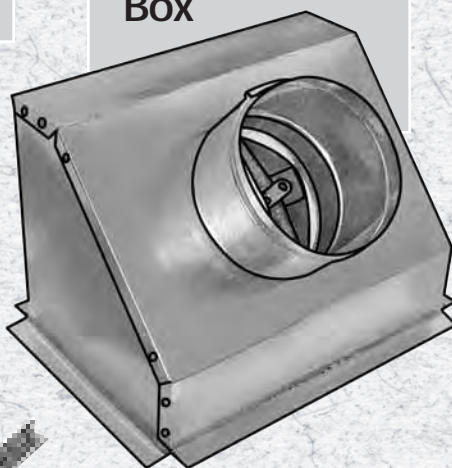
#557RD
Ceiling Radiation
Damper Sleeve



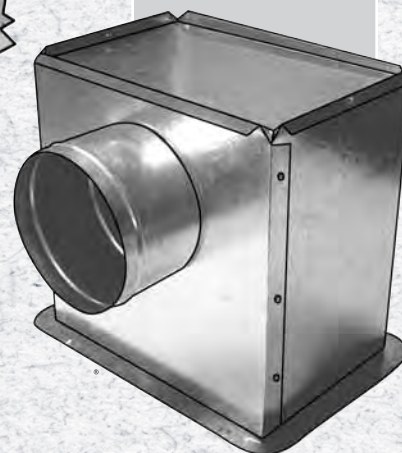
#505RD
Insulated
Register
Box
Top Outlet



#507RD
45° Insulated
Box



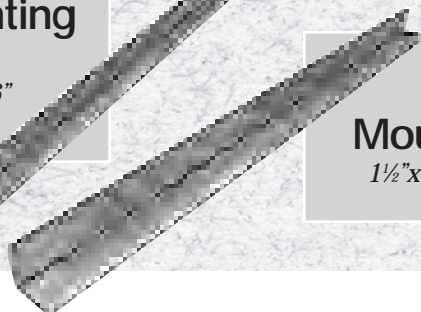
#509
90°
Insulated
Radiation
Damper
Boot



#1004
Mounting
Rail
3/4" x 3/4" x 26"
16 gauge



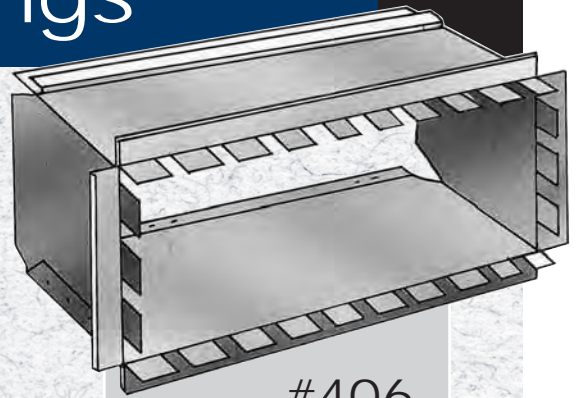
#1005
Mounting
Rail
1 1/2" x 1 1/2" x 26" 22 gauge



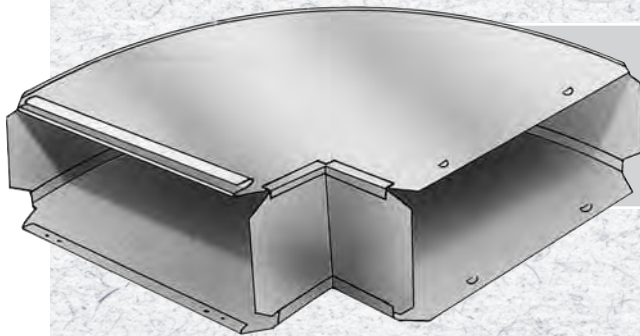
Wall Stack & Fittings



#401
Wall Stack
2-piece
24"-96" lengths

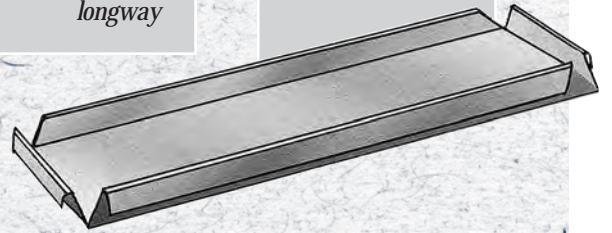


#406
Starting Collar

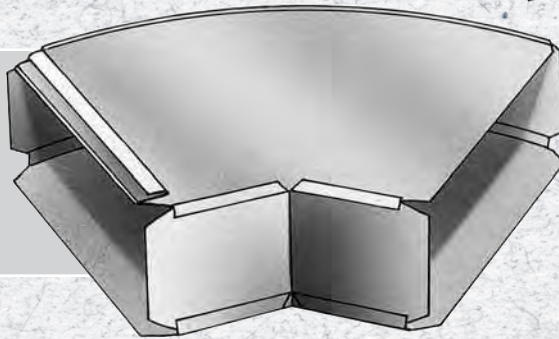


#430
Flat 90° Elbow
longway

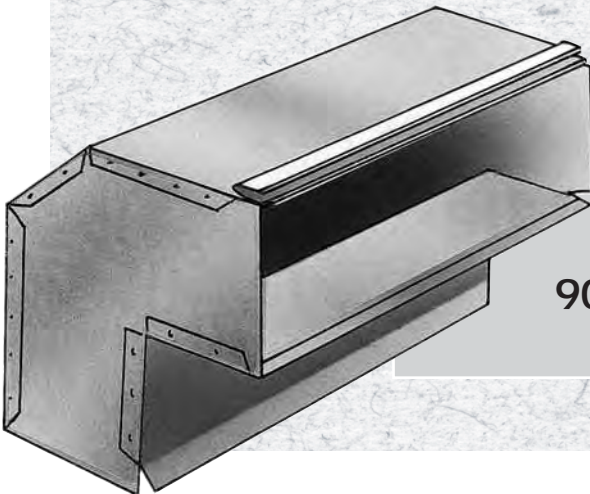
#411
End Cap



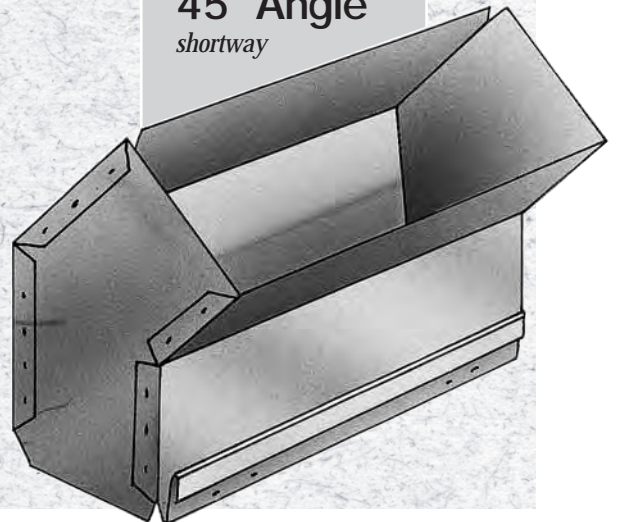
#435
Flat 45°
Elbow
longway



#445
Vertical
45° Angle
shortway



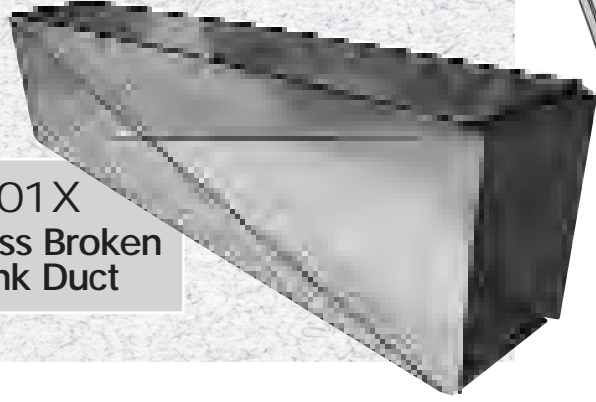
#440
Vertical
90° Elbow
shortway



Rectangular Duct Work



**#401
Beaded
Trunk Duct**
*36", 48" and 60"
lengths. Shipped 5
joints per bundle
or 6 joint per box*

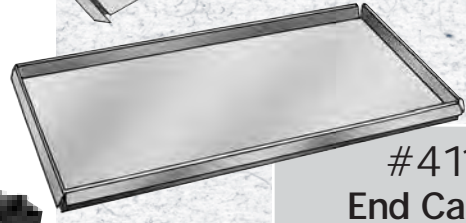


**#401X
Cross Broken
Trunk Duct**

Rectangular Reducers & Caps

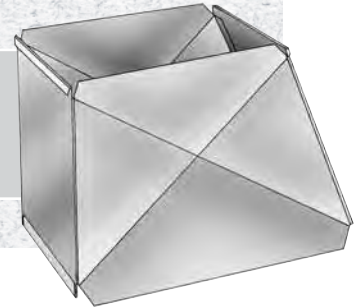


**#418
Side Reducer**



**#411
End Cap**

**#417
Trunk
Reducer**

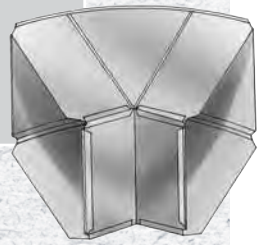


Rectangular Elbows & Angles



**#430
Horizontal
90° Elbow**
flat, longway

**#435
Horizontal
45°
Elbow**
*flat,
longway*



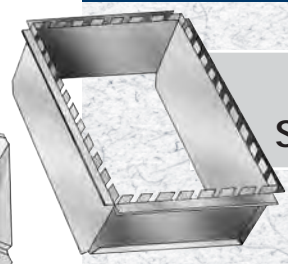
**#440
Vertical
90° Elbow**
shortway



**#445
Vertical
45° Elbow**
shortway

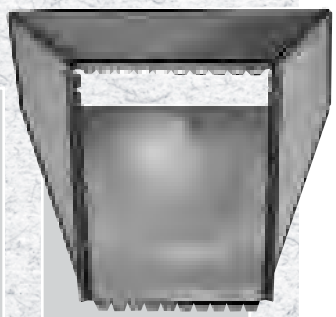
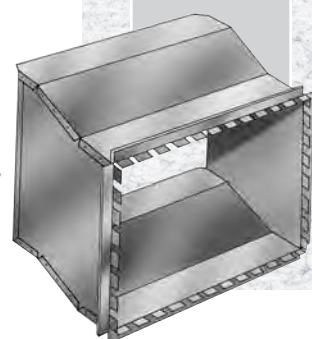


Rectangular Collars



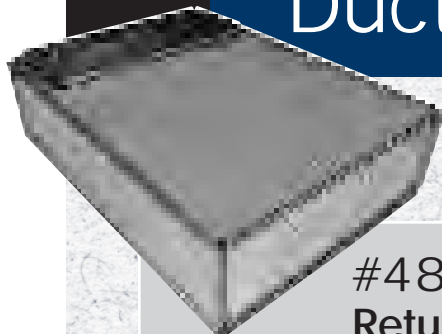
**#406
Starting Collar**

**#409
Offset
Collar**
2" rise

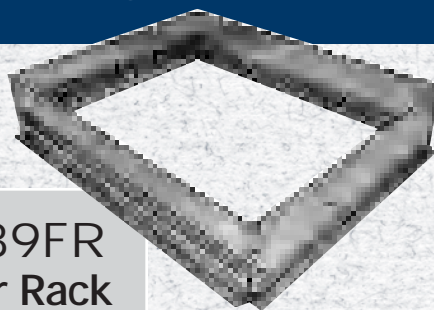


**#407
Center
Transition
Collar**

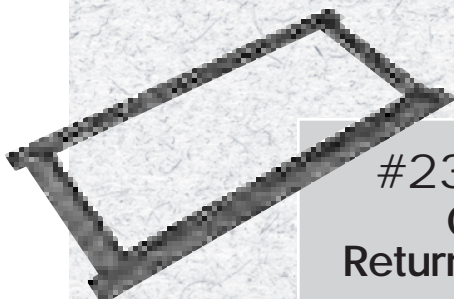
Duct Returns & Accessories



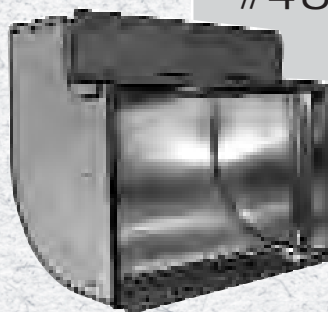
#489
Return
Air Support Box



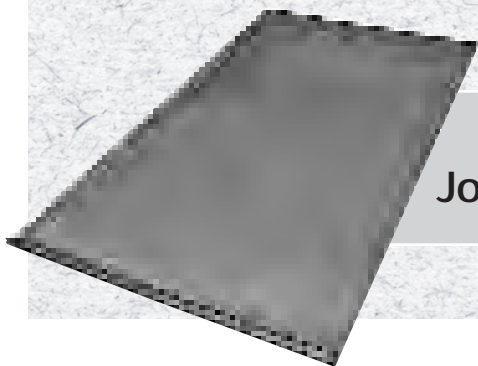
#489FR
Filter Rack



#239CAF
Cold Air
Return Frame

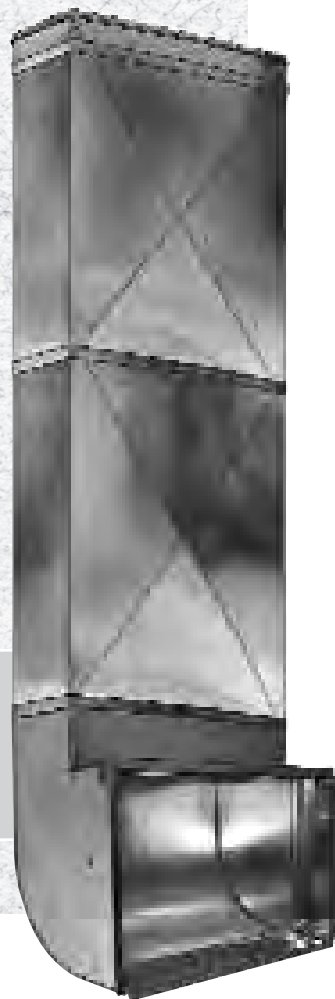


#489SD
Cold
Air
Boot

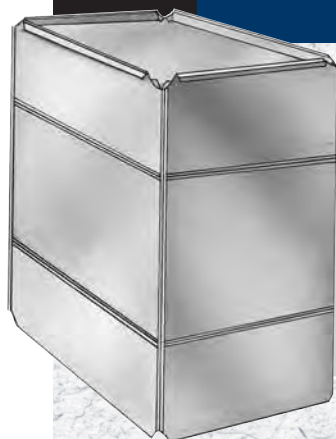


#323
Joist Panning

#489SDK
Cold Air
Drop Kit



Plenums



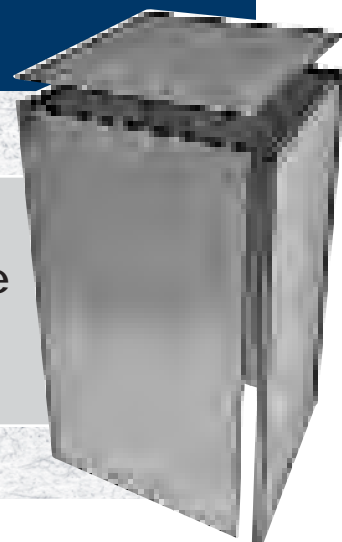
#301
Plenum

Shipped knocked down. Available lined in R-4 or R-6 or unlined. Available with or without filter rack.

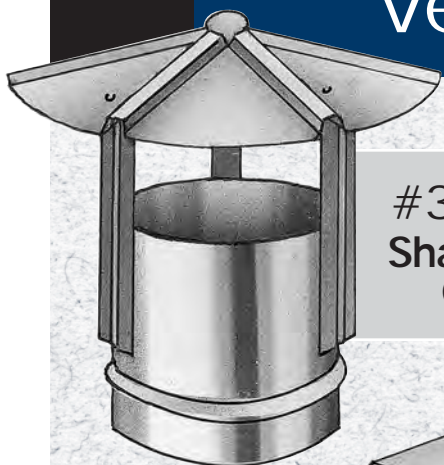


#82ADJ
Adjustable
Plenum

Shipped knocked down



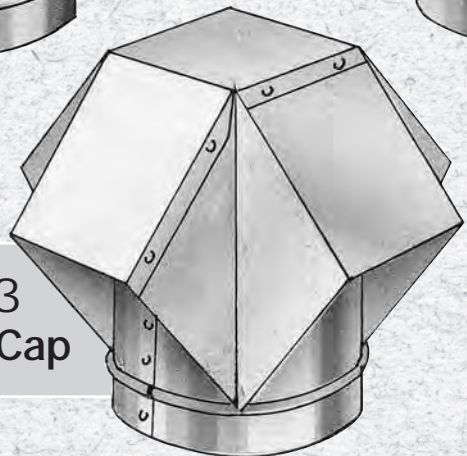
Vent Tops & Flashings



#331
Shanty
Cap



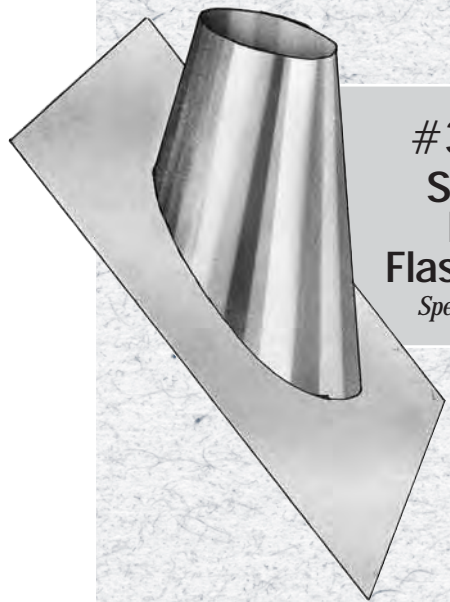
#332
Wind Band
Vent Cap



#333
Vent Cap

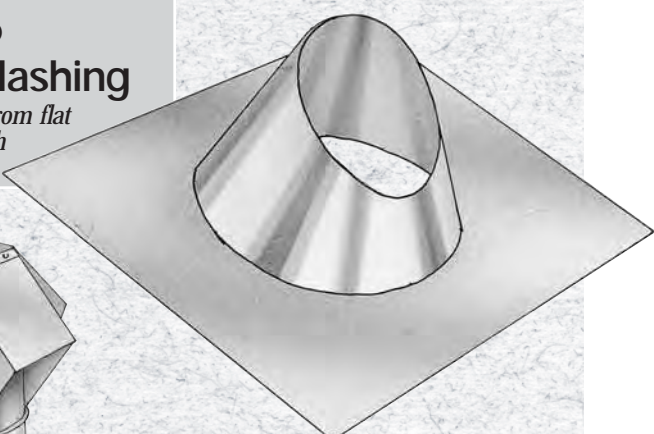


#335
Tall
Flashing
12" Cone

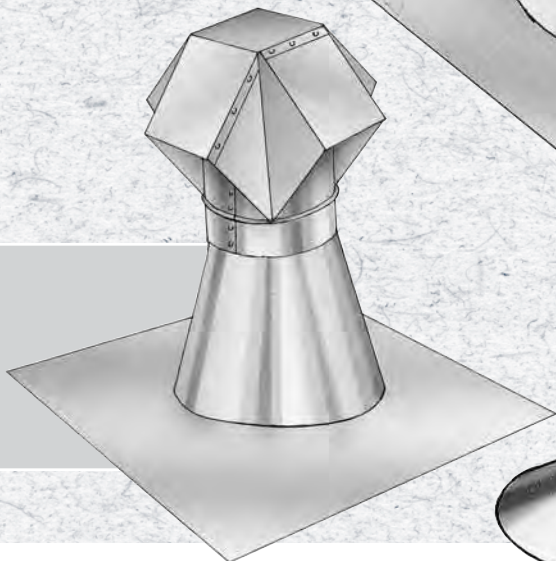


#336
Steep
Pitch
Flashing
Specify pitch

#336
Roof Flashing
*Adjustable from flat
to 5/12 pitch*



#337
Flashing & Cap
Combination
Specify pitch



#338
Storm
Collar

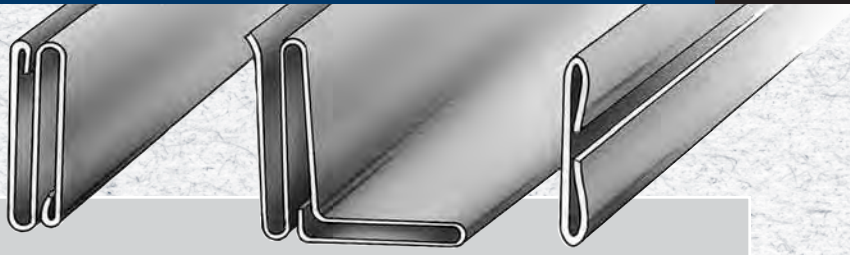


Accessories



FHA Strap
12" 18 gauge
18" 18 gauge

Stud Guard
6" length



#1001 Flat Full Hem
S-Lock

#1006 Standing Seam
S-Lock 1"

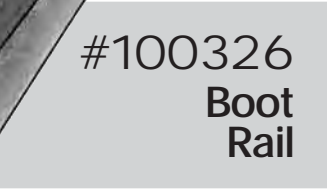
#1002 Drive Cleat



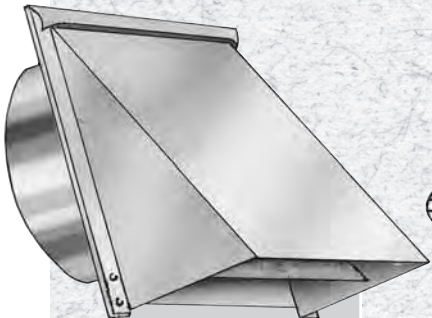
#127 8" Duct Hanger



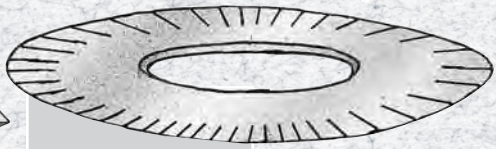
#1008 Hanging Rail
1"x1"x24" available in 22, 24 or 26 gauge.



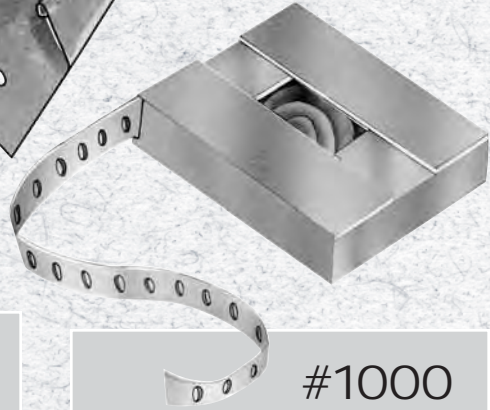
#100326 Boot Rail



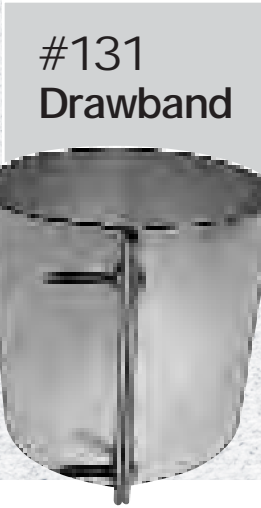
#300 Wall Cap



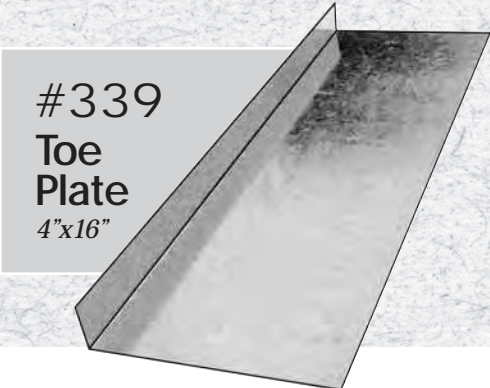
#1061 Ceiling Collar



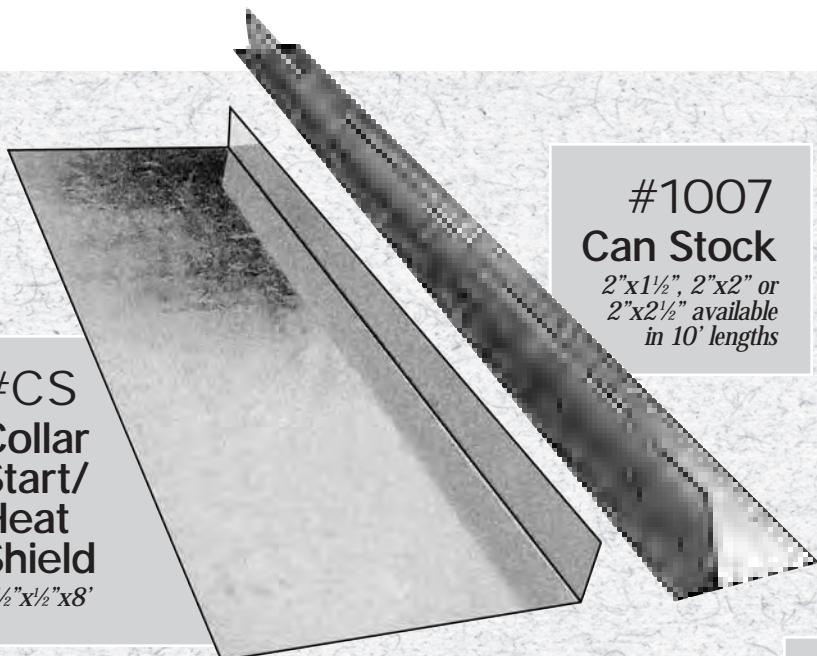
#1000 Hanging Strap
1"x100' 30 gauge with no holes
1"x100' 26 gauge with no holes
1"x100' 22 gauge with no holes
1½"x100' 30 gauge with no holes
1½"x100' 26 gauge with no holes
1½"x100' 22 gauge with no holes
2"x100' 30 gauge with no holes
2"x100' 26 gauge with no holes
¾"x100' with holes



#131 Drawband



#339 Toe Plate
4"x16"



**#1007
Can Stock**
*2"x1½", 2"x2" or
2"x2½" available
in 10' lengths*



**#513
Transfer
Grill
Box**

**#CS
Collar
Start/
Heat
Shield**
5½"x½"x8'



**#302
Drain Pan**
1 piece seamless

**#515
Thru the Wall
Return Box**

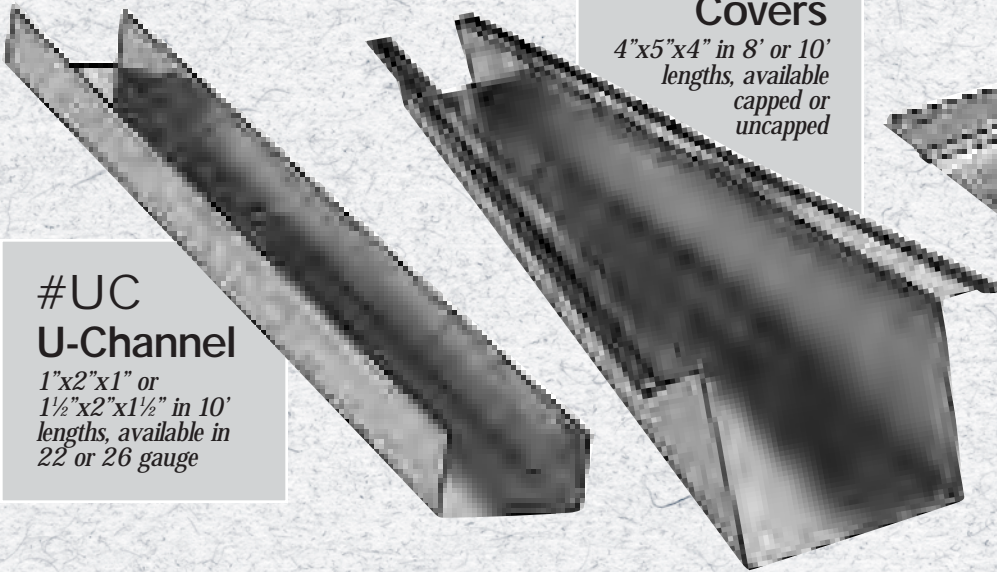


**#LS CAP
Line Set
Cap**
4"x4"

**#LS
Line Set
Covers**
*4"x5"x4" in 8' or 10'
lengths, available
capped or
uncapped*



**#327
Florida
Roof
Vent**



**#UC
U-Channel**
*1"x2"x1" or
1½"x2"x1½" in 10'
lengths, available in
22 or 26 gauge*

Flexible Duct



#901 Flex Duct (Silver)

Product Data:
 Class 1 Flexible Air Duct
 Code Compliance: NFPA 90A & 90B, UL181
 Reinforced, metalized polyester vapor barrier
 Airtite polyester inner core
 Standard lengths of 25ft
 Diameters 4"-20"
 Available in R-4.2, R-6.0, or R-8.0

#903 Mobile Home Flex Duct (Black)

Product Data:
 Class 1 Flexible Air Duct
 Code Compliance: NFPA 90A & 90B, UL181, HUD/FHA
 Thick flame retardant polyethylene vapor barrier
 Permeance rating of less than .1 perm
 Airtite polyester inner core
 Standard lengths of 25ft
 Diameters 10",12",14"
 Available in R-4.2



Packaging:
 1 Piece Per Bag/Carton
 1 Layer Per Pallet
 Full Pallet Quantities



	R-4.2		R-6.0		R-8.0	
	Pallet Qty	Layer Qty	Pallet Qty	Layer Qty	Pallet Qty	Layer Qty
4"	150	30	150	30	100	20
5"	150	30	125	25	80	20
6"	125	25	100	20	64	16
7"	100	20	80	16	64	16
8"	80	16	80	16	48	12
9"	80	16	60	12	36	9
10"	60	12	45	9	36	9
12"	45	9	45	9	36	9
14"	45	9	45	9	24	6
16"	24	6	24	6	24	6
18"	16	4	16	4	16	4
20"	16	4	16	4	16	4

The Royal Advantage

At Royal Metal Products, our mission is to create the highest level of quality, service, and value for each and every customer, every day. We refer to this standard of performance as the Royal Advantage.



Superior Quality

The Royal Advantage begins by delivering the highest quality products in the industry. This is accomplished by using the highest grade steel and materials in all of our products, and committing to a process of continuous improvement in all stages of manufacturing to meet and exceed the industry benchmarks set for each product. Our updated facilities and equipment insure that we keep pace with the ever changing and growing marketplace. We offer a 100% product satisfaction guarantee. Our quality control program insures that every product is stamped with our logo and size for ease of identification and stocking, and each box is inspected for quality and count accuracy.

Superior Service

Royal Metal Products offers an unmatched level of personalized customer service. Our dedicated customer service representatives verify order receipt and accuracy for every order, and follow-up with a call to schedule deliveries 3 days before shipment. During deliveries, our truck drivers will assist in the unloading process, and will call in any errors or shortages before leaving the branch. All errors or shortages are shipped same or next business day at Royal's expense. **Royal extends to all of our customers a standard weekly delivery service with no backorders.**



Superior Value

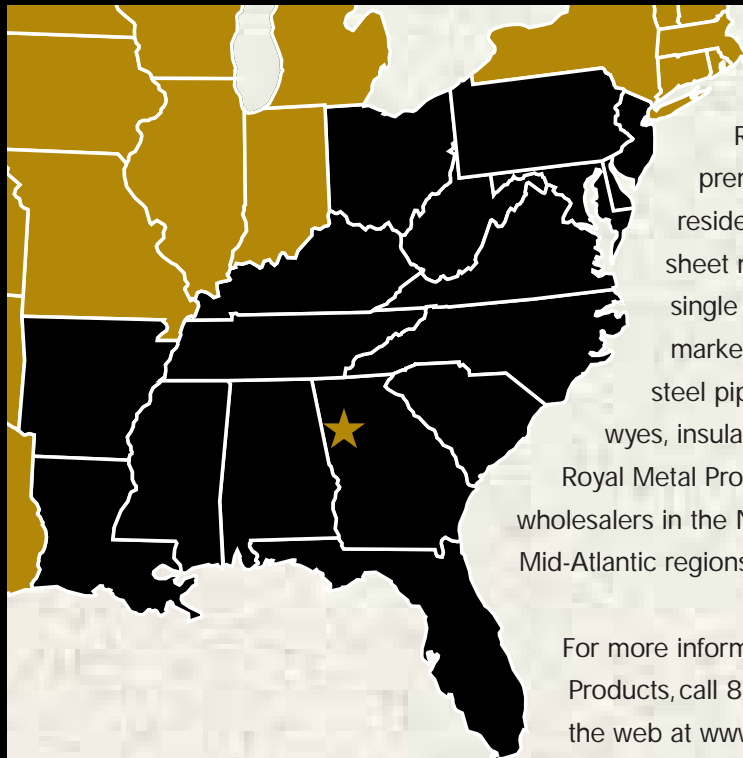
Superior value is created by selling superior quality products and service for the same market price as our competitors, and doing so consistently over time. These 3 elements delivered in combination, create a business experience for our customers that is unmatched in the industry.

Are you ready to experience the Royal Advantage?



Superior Quality
Superior Service
Superior Value
that's the Royal Advantage

Sheet Metal Products for the HVAC Industry



Royal Metal Products is a premier manufacturer of residential and light commercial sheet metal HVAC products for the single and multi-family housing markets. Core products include steel pipe, elbows, register boots, wyes, insulated boxes, fittings, and more.

Royal Metal Products are sold through key wholesalers in the Northeast, Southeast and Mid-Atlantic regions.

For more information on Royal Metal Products, call 800-520-6593 or visit us on the web at www.royalmetalproducts.com



Corporate Office:

100 Royal Way • Temple, GA 30179

800-520-6593 • Fax 678-563-0093

Website: www.royalmetalproducts.com

E-Mail: info@royalmetalproducts.com