

INSTALLATION INSTRUCTIONS FOR RESIDENTIAL PACKAGE UNIT INTERNAL FILTER KIT (RXRY-B01)

▲ WARNING

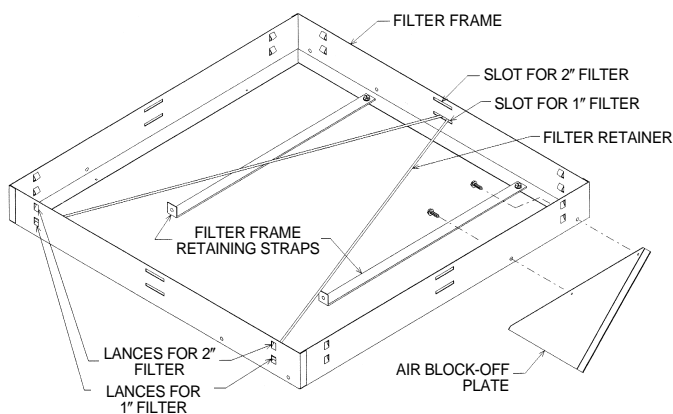
THESE INSTRUCTIONS ARE INTENDED AS AN AID TO QUALIFIED SERVICE PERSONNEL. FOR PROPER INSTALLATION, ADJUSTMENT AND OPERATION OF THIS UNIT, READ THESE INSTRUCTIONS THOROUGHLY BEFORE ATTEMPTING INSTALLATION OR OPERATION. FAILURE TO FOLLOW THESE INSTRUCTIONS MAY RESULT IN IMPROPER INSTALLATION, ADJUSTMENT, SERVICE OR MAINTENANCE, WHICH CAN RESULT IN ELECTRICAL SHOCK PERSONAL INJURY OR DEATH.

▲ Recognize this symbol as an indication of Important Safety Information!

▲ WARNING

DISCONNECT ELECTRICAL POWER TO THE UNIT BEFORE PROCEEDING WITH THIS INSTALLATION. FAILURE TO DO SO CAN CAUSE ELECTRICAL SHOCK, PERSONAL INJURY OR DEATH.

1. Use two (2) of the screws provided in the envelope to attach the air block off plate to the filter frame. Refer to Figure 1.

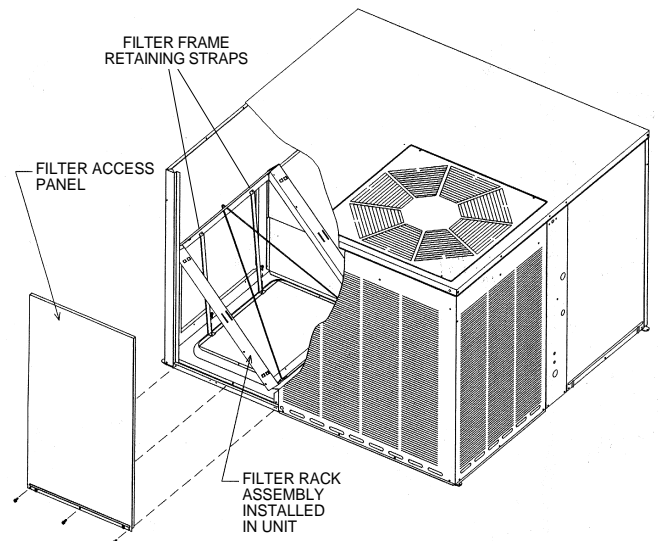


I355
ROOFTOP
11-2-93

FIGURE 1. FILTER FRAME ASSEMBLY

2. If 2" thick filter is used, reposition the legs of the filter retainer rod in the top lances on the frame.
3. Remove the filter access panel as shown in Figure 2.

4. Position the filter frame assembly in the return air section of the unit. Refer to Figure 2. Be careful not to tear the unit insulation when putting the filter frame in place.



I356
ROOFTOP
12-14-93

FIGURE 2. FILTER KIT INSTALLATION

5. Bend the filter frame retaining straps down. Attach to the bottom return duct flange with the two screws provided in envelope. Refer to Figure 2.
6. By flexing the frame and/or retainer, remove the top of the filter retainer from the slot in top of the frame. Hinge the retainer up out of the way and lay a 24" x 24" filter in the frame as shown in Figure 3. Be sure to orient the filter with the airflow direction arrow pointing to the inside of the unit. If 24" x 24" filter is not available, use two 12" x 24" filters.

7. Lower the filter retainer and insert the top of the retainer in the appropriate slot in the frame (2" filter - top slot, 1" filter - bottom slot) as shown in Figure 3.

8. Replace filter access panel.

9. Restore electrical power to unit.

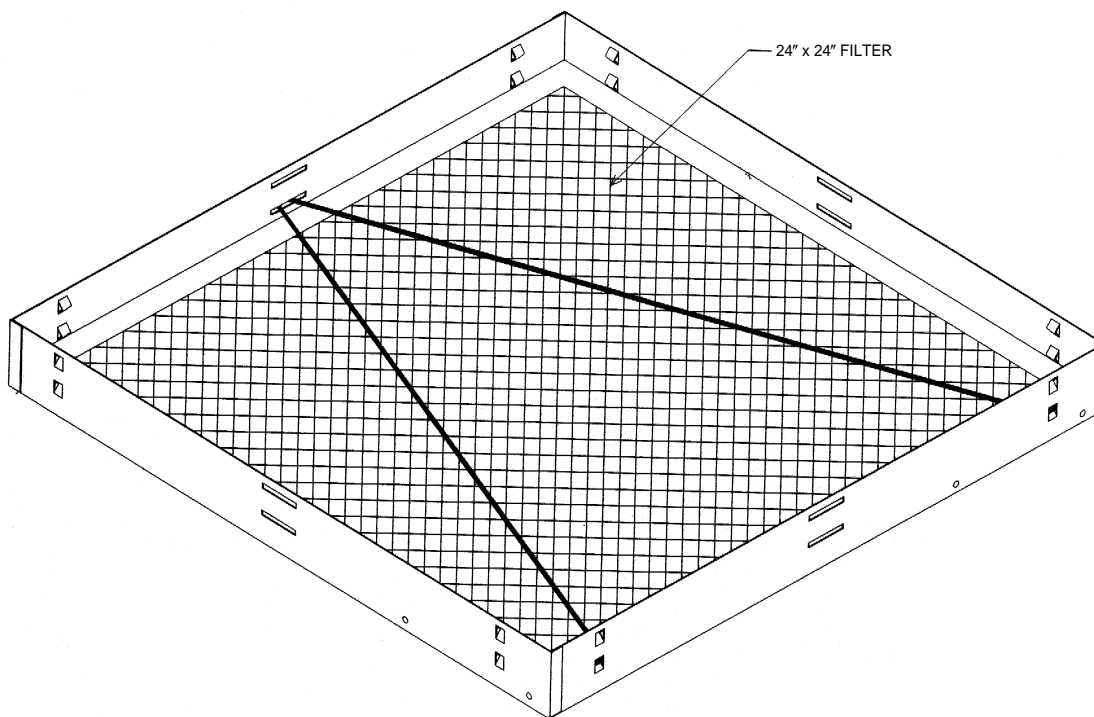


FIGURE 3. FILTER INSTALLATION

I357
ROOFTOP
11-4-93