

# INSTALLATION INSTRUCTIONS

## MODEL (-)XRF - JDB1

### 0-35% MOTORIZED OUTSIDE AIR

The 0-35% manual outside air system is designed to replace the unit duct cover. No drilling on the unit or field assembly is required. A 2-position control motor opens the intake damper when the blower is energized. The amount of air is controlled by the slide dampers on damper motor. The intake panel is fully insulated.

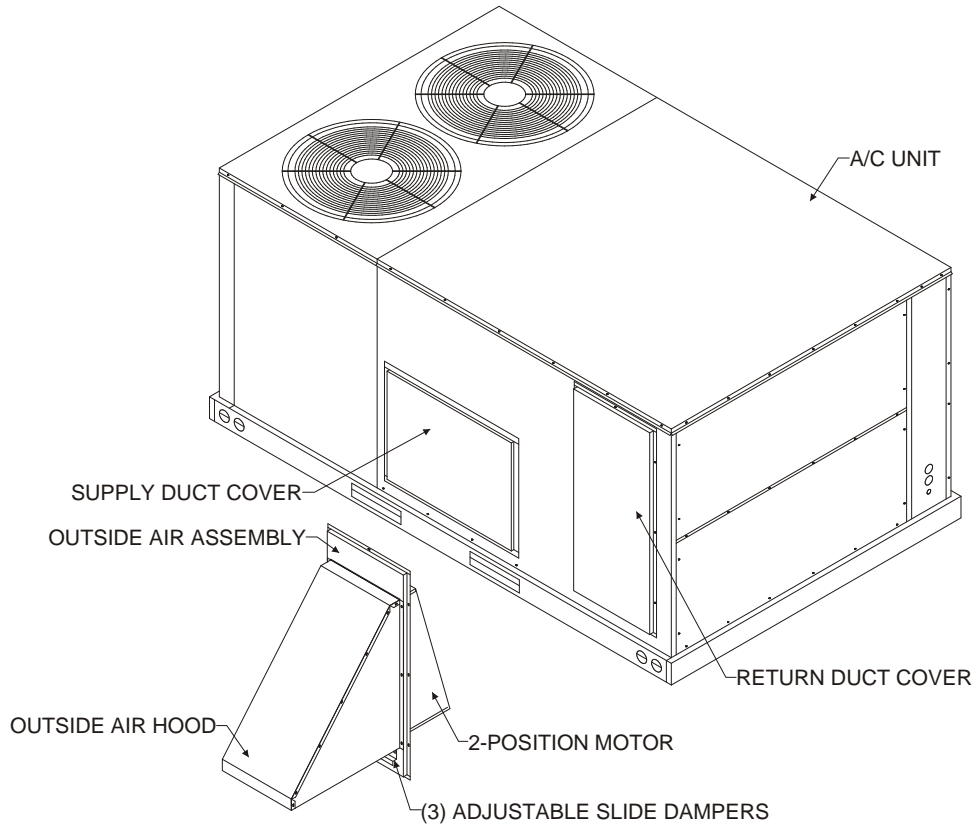


Figure 1

#### Step 1:

Check for correct number of parts. See list below:

- 1 ea. - Outside Air Intake Damper Assembly
- 1 ea. - Outside Air Hood
- 6 ea. - #10-16 x 1/2" Screws

#### Step 2:

Remove return air duct cover from unit, and save the screws.

#### Step 3:

Remove filter access panel. Plug the "PL7" connector to "PL6" connector in return section.

#### Step 4:

Install outside air assembly as shown in Figure 1 over duct opening with the screws removed in Step 2.

#### Step 5:

Adjust the slide dampers to the desired position.

#### Step 6:

Install outside air hood on outside air intake panel.

**NOTE:** It will be necessary to remove intake hood, so the second and third slide dampers can be removed, if the full amount of outside air is required.

**HARNESS ENDS AT PL6 & PL7**

**COMPONENT CODE**

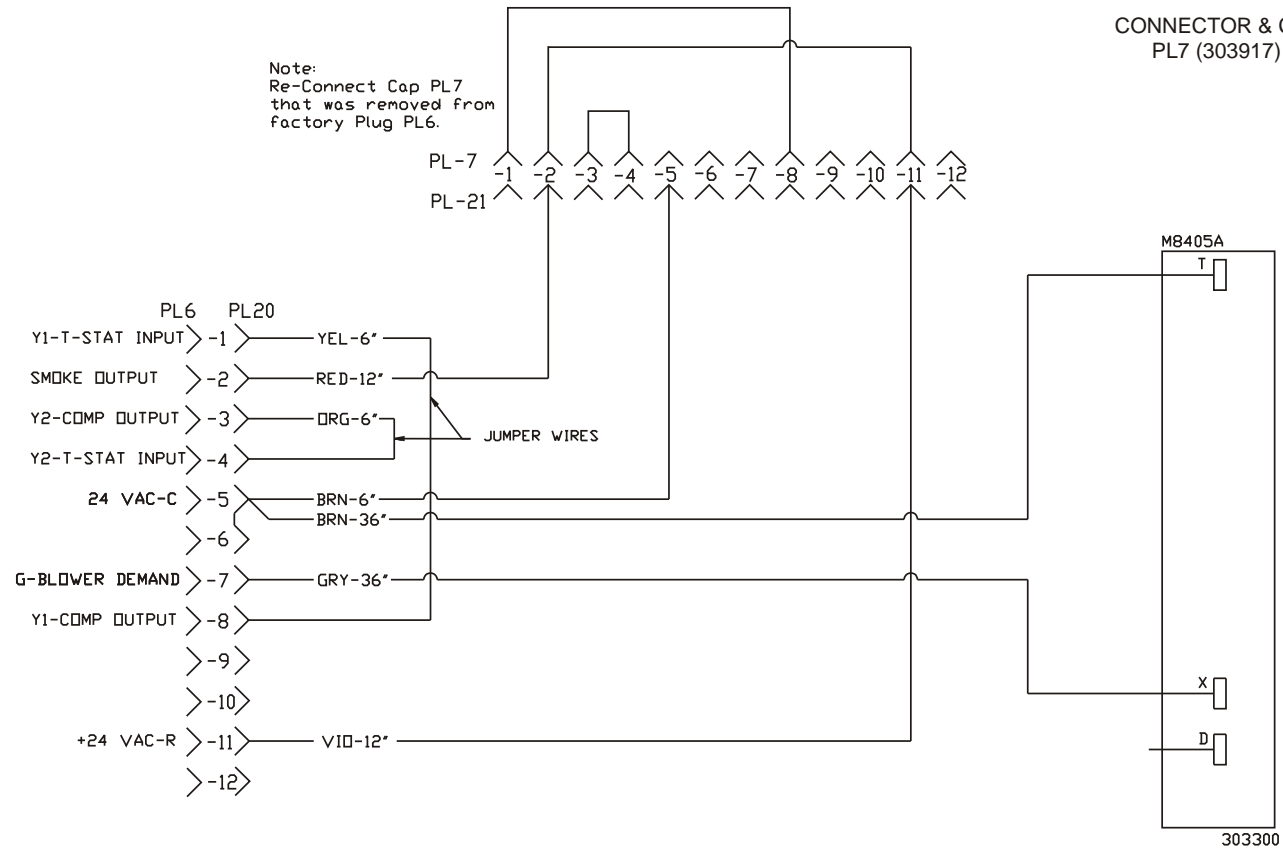
Economizer  
 M8405A Damper Actuator 24v  
 PL6 Male A/C Unit Plug  
 PL7 Female A/C Unit Plug  
 PL20 Female Damper Plug  
 PL21 Male Smoke Plug

**WIRE COLOR CODE**

BLK Black      BLU Blue  
 BRN Brown    GRY Gray  
 ORG Orange    RED Red  
 VIO Violet    WHT White  
 YEL Yellow

Revision	Change	Date

**CONNECTOR & CONTACT CONFIGURATION  
 PL7 (303917) CAP - (303902) SOCKET**



- Notes:  
 1. Unit wiring shown as reference only. Check unit wiring for actual unit wiring.

**0-35% Motorized Outside Air  
 RKNL / RLNL 072-150**



2405 McIver Lane  
 Carrollton, Texas 75006  
 Phone: (972) 247-7447  
 Fax: (972) 243-0940

Date: March 19, 2009
Supersedes:
Drawn by: MGL
Unit #: 60-287-13C
Diagram#: 6028713CW
Approved by: