

INSTALLATION INSTRUCTIONS

MODEL (-)XRF - JDA1

0-35% MANUAL OUTSIDE AIR

The 0-35% manual outside air system is designed to replace the unit duct cover. No drilling on the unit or field assembly is required. The amount of outside air is controlled by simply adjusting the slide dampers. The panel is fully insulated.

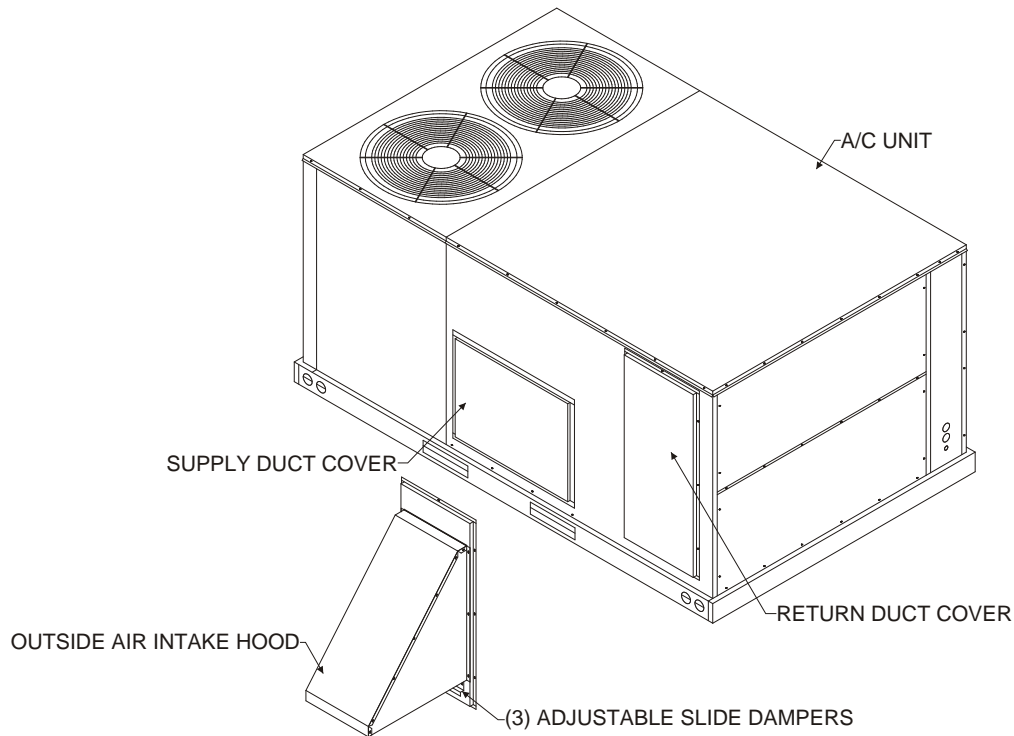


Figure 1

Step 1:

Check for correct number of parts. See list below:

- 1 ea. - Outside Air Intake panel assembly with hood and slide dampers.

Step 2:

Remove return air duct cover from unit, and save the screws.

Step 3:

Install outside air assembly as shown in Figure 1 over duct opening with the screws removed in Step 2.

Step 4:

Adjust the slide dampers to the desired position.

NOTE: It will be necessary to remove intake hood, so the second and third slide dampers can be removed, if the full amount of outside air is required.