

INSTALLATION INSTRUCTIONS

MODEL (-)XRF

0-35% MOTORIZED OUTSIDE AIR

The 0-35% motorized outside air system is designed to replace the unit duct cover. No drilling on the unit or field assembly is required. A 2-position control motor that opens the intake damper when the blower is energized. The amount of air is controlled by the a slide damper on damper motor. The intake panel is fully insulated..

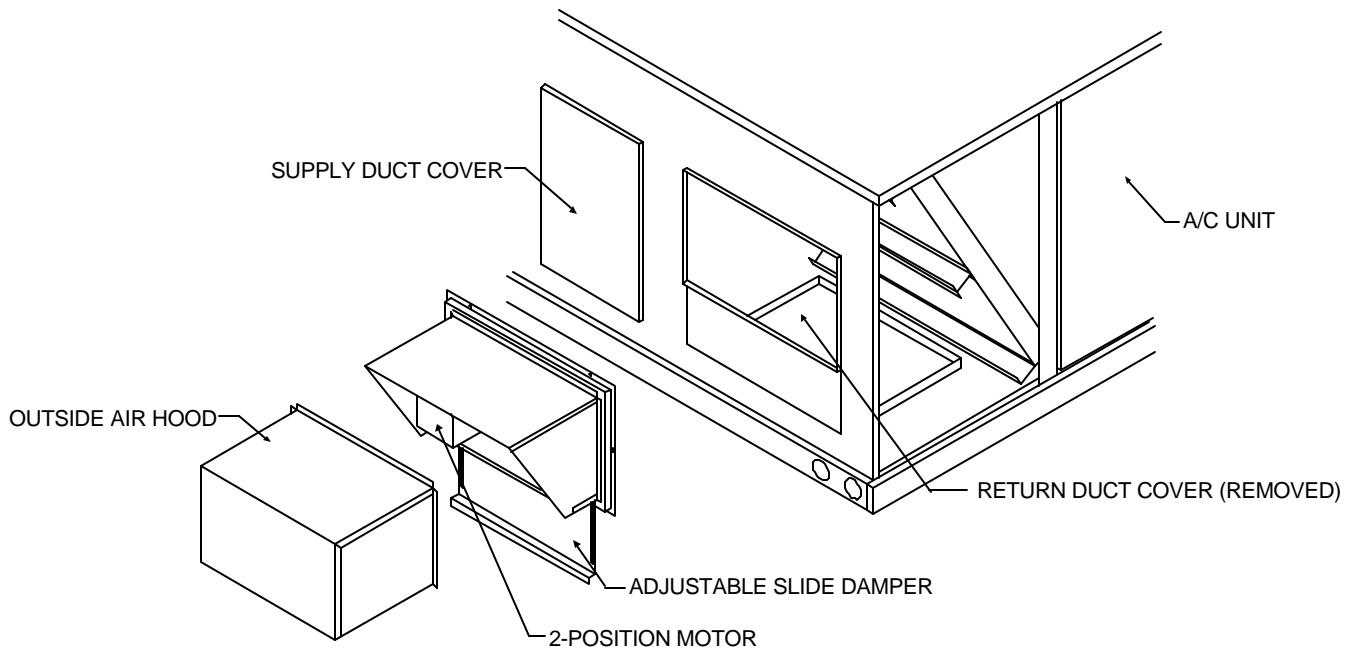


FIGURE 1

STEP 1:

Check for correct number of parts. See list below:

- 1 ea. - Outside Air Intake damper assembly with hood and slide damper.

STEP 2:

Remove return air duct cover from unit, and save the screws.

STEP 3:

Remove filter access panel. Plug the "PL5" connector to "PL2" connector in return section.

STEP 4:

Install outside air assembly as shown in Figure 1 over duct opening with the screws removed in Step 2.

STEP 5:

Adjust the slide damper to the desired position.

HARNESSDETAIL

E# = WIRE END DESIGNATION

- E2 STUD #6 18 Ga. Wire
- E3 Female ¼ Quick Disc.
- E4 Male ¼ Quick Disc. In sul
- E6 Wire Nut Size 73B

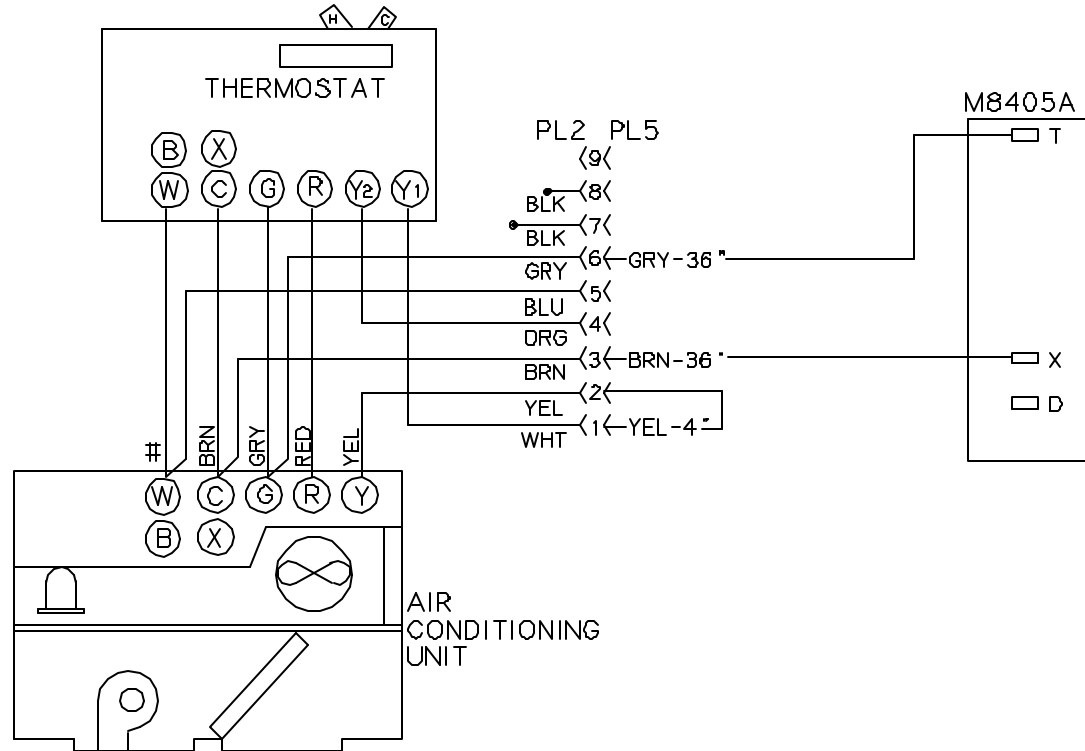
HARNESS STOPS AT PL5

COMPONENTCODE

- Economizer**
M847A1080 Damper Actuator 24v
- PL5 Male Damper Plug
- PL2 Female A/C Unit Plug

WIRE COLOR CODE

- | | | | |
|-----|--------|-----|--------|
| RED | Red | BLU | Blue |
| GRY | Gray | BRN | Brown |
| YEL | Yellow | ORG | Orange |
| BLK | Black | WHT | White |



Notes:

1. Unit wiring shown as reference only. Check unit wiring for actual unit wiring.

**0-35% MOTORIZED DAMPER
RKKK/RLKA A085**

Rheem Manufacturing
5600 Old Greenwood Rd
Ft. Smith, AR 72917-7010
Phone (501) 648-4941
Fax (501) 648-4962

Form# 35MAD08W

Date: April 2, 1998

Drawn by:

Unit # 60-287-08

Diagram# 6028208W