

INSTALLATION INSTRUCTIONS

MODEL RXRF - FBB1

0-35% MOTORIZED OUTSIDE AIR

The 0-35% manual outside air system is designed to replace the unit duct cover. No drilling on the unit or field assembly is required. A 2-position control motor opens the intake damper when the blower is energized. The amount of air is controlled by the a slide damper on damper motor. The intake panel is fully insulated..

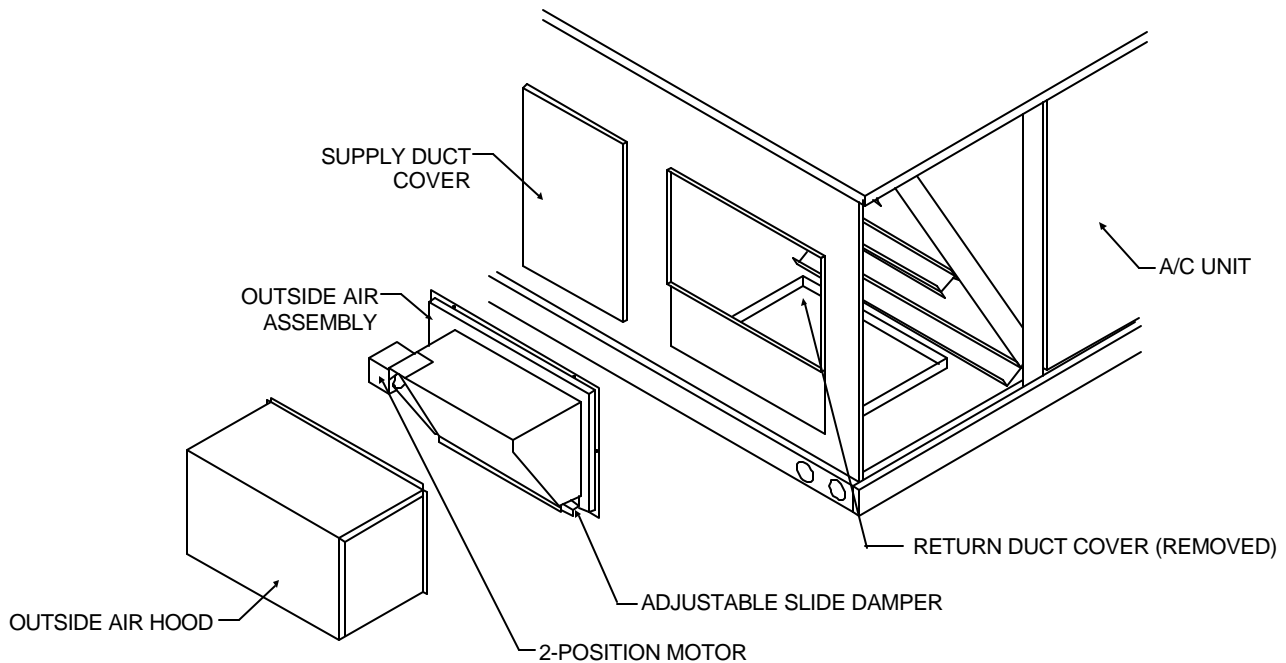


FIGURE 1

STEP 1:

Check for correct number of parts. See list below:

- 1 ea. - Outside Air Intake damper assembly with hood and slide damper.

STEP 2:

Remove return air duct cover from unit, and save the screws.

STEP 3:

Remove filter access panel. Plug the "PL5" connector to "PL2" connector in return section.

STEP 4:

Install outside air assembly as shown in Figure 1 over duct opening with the screws removed in Step 2.

STEP 5:

Adjust the slide damper to the desired position.

HARNESSDETAIL

E# = WIRE END DESIGNATION

- E2 STUD #6 18 Ga. Wire
- E3 Female ¼ Quick Disc.
- E4 Male ¼ Quick Disc. In sul
- E6 Wire Nut Size 73B

HARNESS STOPS AT PL5

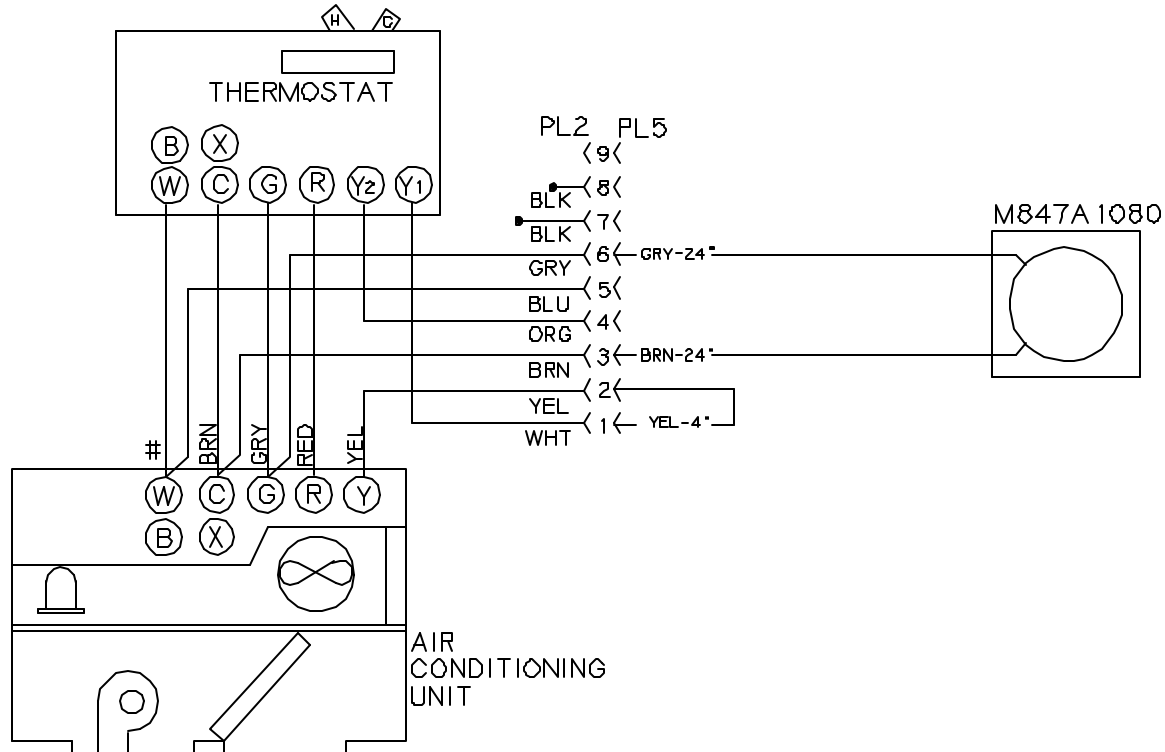
COMPONENTCODE

Economizer
M847A1080
PL5
Plug
PL2
Unit Plug

Damper Actuator 24v
Male Damper
Female A/C

WIRE COLOR CODE

RED	Red
BLU	Blue
GRY	Gray
BRN	Brown



Notes:

1. Unit wiring shown as reference only.

**0-35% MOTORIZED DAMPER
RKKA/RJKA/RLKA 036-072**

Rheem Manufacturing
5600 Old Greenwood Rd
Ft. Smith, AR 72917-7010

Form# 35MAD20BW

Date: February 27, 1998

Drawn by:

Unit # RXRF- FBB1

Diagram# 6028220BW