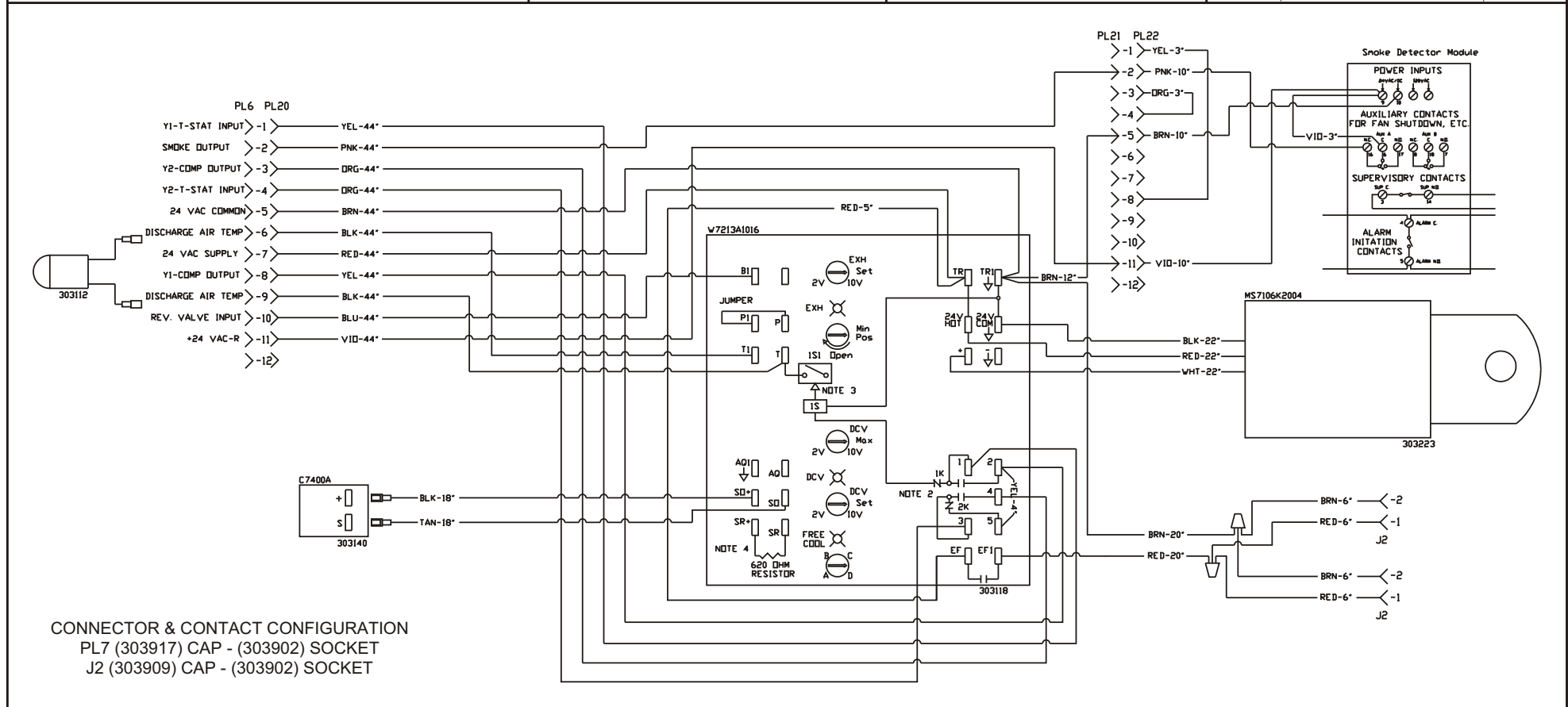


MATERIALS LIST		
QTY.	RSI PART#	DESCRIPTION
57"	303002	Wire 18 Ga. Violet
3"	303003	Wire 18 Ga. Yellow
3"	303007	Wire 18 Ga. Orange
54"	303009	Wire 18 Ga. Pink
22"	303010	Wire 18 Ga. Brown
1	303112	Mixed Air Sensor
1	303118	Logic Module
1	303140	Enthalpy Control
1	303223	Damper Actuator
1	303530	Smoke Detector
1	303533	Sampling Tube 48"
1	303604	1/4" Male Slip-on Adapter
3	303617	Wire Tie - Push Mount
1	303905	AMP 12 Cir Plug Conn. Male
3	303912	AMP Pin Contact Male
9	303913	AMP Socket Contact Female
1	303917	AMP 12 Cir Cap Conn. Female
1	303H08	Wiring Harness

COMPONENT CODE		WIRE COLOR CODE		Revision	Change	Date
C7400A	Fresh Air Sensor	BLK	Black	BLU	Blue	
9RT1H	Mixed Air Sensor	BRN	Brown	GRN	Green	
J2	Power Exhaust Cap	GRY	Gray	ORG	Orange	
MS7106K	Damper Actuator 24v	PNK	Pink	RED	Red	
PL6	Male A/C Unit Plug	TAN	Tan	VIO	Violet	
PL20	Female Economizer Cap	WHT	White	YEL	Yellow	
PL21	Male Smoke Plug					
PL22	Female Smoke Cap					
W7213A	Logic Module					



- Notes:
- Unit wiring shown as reference only. Check unit wiring for actual unit wiring.
  - Relays 1K and 2K actuate when the Outdoor Air Enthalpy is lower than the Return Air Enthalpy.
  - 1S is an electronic switch which closes when powered by a 24 VAC input.
  - Factory installed resistor should be removed only if C7400 Differential Enthalpy Sensor is added.
  - Y2 must be energized for the compressor to operate.

**Modulating Gear Economizer**  
**RKNL / RLNL 180-300**

**RUSKIN**  
**ROOFTOP SYSTEMS**

2405 McIver Lane  
 Carrollton, Texas 75006  
 Phone: (972) 247-7447  
 Fax: (972) 243-0940

Date: March 19, 2009
Supercedes:
Drawn by: MGL
Unit #: 60-364-16S
Diagram#: 6036416SW
Approved by: